

# 256-position I<sup>2</sup>C Compatible Digital Potentiometer (POT)

## CAT5191

The CAT5191 is a 256-position digital linear taper potentiometer ideally suited for replacing mechanical potentiometers and variable resistors.

The wiper settings are controlled through an I<sup>2</sup>C-compatible digital interface. Upon power-up, the wiper assumes a midscale position and may be repositioned anytime after the power is stable. The device can be programmed to reset the wiper position to midscale or to go to a shutdown state during operation. An address input pin, AD0, allows the connection of two devices onto the same I<sup>2</sup>C bus.

The CAT5191 operates from 2.7 V to 5.5 V, while consuming less than 2  $\mu$ A. This low operating current, combined with a small package footprint, makes the CAT5191 ideal for battery-powered portable applications.

The CAT5191, designed as a pin for pin replacement for the AD5245, is offered in the 8-lead SOT23 package and operates over the -40°C to +125°C industrial temperature range.

### Features

- 256-position
- End-to-End Resistance: 50 k $\Omega$ , 100 k $\Omega$
- I<sup>2</sup>C Compatible Interface
- Power-on Preset to Midscale
- Single Supply 2.7 V to 5.5 V
- Low Temperature Coefficient 100 ppm/°C
- Low Power, I<sub>DD</sub> 2  $\mu$ A max
- Extended Operating Temperature -40°C to +125°C
- SOT-23 8-lead (2.9 mm  $\times$  3 mm) Package
- These Devices are Pb-Free, Halogen Free/BFR Free and are RoHS Compliant

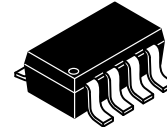
### Typical Applications

- Potentiometer Replacement
- Transducer Adjustment of Pressure, Temperature, Position, Chemical, and Optical Sensors
- RF Amplifier Biasing
- Gain Control and Offset Adjustment



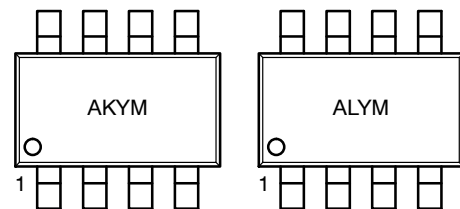
ON Semiconductor®

[www.onsemi.com](http://www.onsemi.com)



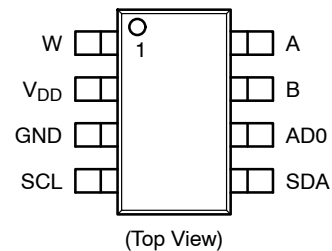
SOT23-8  
TP, TB SUFFIX  
CASE 527AK

### MARKING DIAGRAM



AK = 50 k $\Omega$   
AL = 100 k $\Omega$   
Y = Production Year  
(Last Digit)  
M = Production Month  
(1 - 9, A, B, C)

### PIN CONNECTIONS



### ORDERING INFORMATION

See detailed ordering and shipping information on page 2 of this data sheet.

# CAT5191

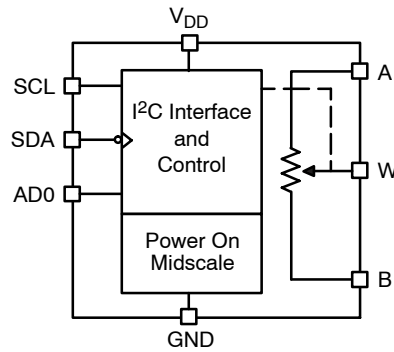


Figure 1. Functional Block Diagram

Table 1. ORDERING INFORMATION

Part Number	Resistance	Temperature Range	Package	Shipping <sup>†</sup>
CAT5191TBE-50GT3	50 kΩ	-40°C to +125°C	SOT-23-8 (Pb-Free)	3000 / Tape & Reel
CAT5191TBE-00GT3	100 kΩ			3000 / Tape & Reel

<sup>†</sup>For information on tape and reel specifications, including part orientation and tape sizes, please refer to our Tape and Reel Packaging Specifications Brochure, BRD8011/D.

1. For detailed information and a breakdown of device nomenclature and numbering systems, please see the ON Semiconductor Device Nomenclature document, TND310/D, available at [www.onsemi.com](http://www.onsemi.com).

Table 2. PIN FUNCTION DESCRIPTION

Pin No.	Pin Name	Description
1	W	Resistor's Wiper Terminal
2	V <sub>DD</sub>	Positive Power Supply
3	GND	Digital Ground
4	SCL	Serial Clock Input
5	SDA	Serial Data Input
6	AD0	I <sup>2</sup> C Address bit 0 input
7	B	Bottom Terminal of resistive element
8	A	Top Terminal of resistive element

Table 3. ABSOLUTE MAXIMUM RATINGS (Note 2)

Rating	Value	Unit
V <sub>DD</sub> to GND	-0.3 to 6.5	V
V <sub>A</sub> , V <sub>B</sub> , V <sub>W</sub> to GND	V <sub>DD</sub>	
I <sub>MAX</sub>	±20	mA
Digital Inputs and Output Voltage to GND	0 to 6.5	V
Operating Temperature Range	-40 to +125	°C
Maximum Junction Temperature (T <sub>JMAX</sub> )	150	°C
Storage Temperature	-65 to +150	°C
Lead Temperature (Soldering, 10 sec)	300	°C

Stresses exceeding those listed in the Maximum Ratings table may damage the device. If any of these limits are exceeded, device functionality should not be assumed, damage may occur and reliability may be affected.

2. Maximum terminal current is bounded by the maximum current handling of the switches, maximum power dissipation of the package, and maximum applied voltage across any two of the A, B, and W terminals at a given resistance.

# CAT5191

**Table 4. ELECTRICAL CHARACTERISTICS: 50 kΩ and 100 kΩ Versions**

$V_{DD} = 2.7 \text{ V to } 5.5 \text{ V}$ ;  $V_A = V_{DD}$ ;  $V_B = 0 \text{ V}$ ;  $-40^\circ\text{C} < T_A < +125^\circ\text{C}$ ; unless otherwise noted.

Parameter	Test Conditions	Symbol	Min	Typ (Note 3)	Max	Unit
-----------	-----------------	--------	-----	--------------	-----	------

## DC CHARACTERISTICS — RHEOSTAT MODE

Resistor Differential Nonlinearity (Note 4)	$R_{WB}$ , $V_A = \text{no connection}$	R-DNL	-1	±0.1	+1	LSB
Resistor Integral Nonlinearity (Note 4)	$R_{WB}$ , $V_A = \text{no connection}$	R-INL	-2	±0.4	+2	LSB
Nominal Resistor Tolerance (Note 5)	$T_A = 25^\circ\text{C}$	$\Delta R_{AB}$	-20		+20	%
Resistance Temperature Coefficient	$V_{AB} = V_{DD}$ , Wiper = no connection	$\Delta R_{AB}/\Delta T$		100		ppm/°C
Wiper Resistance	$V_{DD} = 5 \text{ V}$ , $I_W = \pm 3 \text{ mA}$	$R_W$		50	120	Ω
	$V_{DD} = 3 \text{ V}$ , $I_W = \pm 3 \text{ mA}$			100	250	

## DC CHARACTERISTICS — POTENTIOMETER DIVIDER MODE

Resolution		N			8	Bits
Differential Nonlinearity (Note 6)		DNL	-1	±0.1	+1	LSB
Integral Nonlinearity (Note 6)		INL	-1	±0.4	+1	LSB
Voltage Divider Temperature Coefficient	Code = 0x80	$\Delta V_W/\Delta T$		100		ppm/°C
Full-Scale Error	Code = 0xFF	$V_{WFSE}$	-3	-1	0	LSB
Zero-Scale Error	Code = 0x00	$V_{WZSE}$	0	1	3	LSB

## RESISTOR TERMINALS

Voltage Range (Note 7)		$V_{A,B,W}$	GND		$V_{DD}$	V
Capacitance (Note 8) A, B	$f = 1 \text{ MHz}$ , measured to GND, Code = 0 x 80	$C_{A,B}$		45		pF
Capacitance (Note 8) W	$f = 1 \text{ MHz}$ , measured to GND, Code = 0 x 80	$C_W$		60		pF
Common-Mode Leakage (Note 8)	$V_A = V_B = V_{DD}/2$	$I_{CM}$		1		nA

## DIGITAL INPUTS

Input Logic High	$V_{DD} = 5 \text{ V}$	$V_{IH}$	$0.7 \times V_{DD}$			V
Input Logic Low	$V_{DD} = 5 \text{ V}$	$V_{IL}$			$0.3V_{DD}$	V
Input Logic High	$V_{DD} = 3 \text{ V}$	$V_{IH}$	$0.7 \times V_{DD}$			V
Input Logic Low	$V_{DD} = 3 \text{ V}$	$V_{IL}$			$0.3V_{DD}$	V
Input Current	$V_{IN} = 0 \text{ V or } 5 \text{ V}$	$I_{IL}$			±1	μA

## POWER SUPPLIES

Power Supply Range		$V_{DD \text{ RANGE}}$	2.7		5.5	V
Supply Current	$V_{IH} = 5 \text{ V or } V_{IL} = 0 \text{ V}$	$I_{DD}$		0.3	2	μA
Power Dissipation (Note 8)	$V_{IH} = 5 \text{ V or } V_{IL} = 0 \text{ V}$ , $V_{DD} = 5 \text{ V}$	$P_{DISS}$			0.2	mW
Power Supply Sensitivity	$\Delta V_{DD} = +5 \text{ V} \pm 10\%$ , Code = Midscale	PSS			±0.05	%/%

## DYNAMIC CHARACTERISTICS (Notes 8 and 10)

Bandwidth -3 dB	$R_{AB} = 50 \text{ k}\Omega / 100 \text{ k}\Omega$ , Code = 0x80	BW		100/40		kHz
Total Harmonic Distortion	$V_A = 1 \text{ V rms}$ , $V_B = 0 \text{ V}$ , $f = 1 \text{ kHz}$ , $R_{AB} = 10 \text{ k}\Omega$	THD <sub>W</sub>		0.05		%
$V_W$ Settling Time (50 kΩ/100 kΩ)	$V_A = 5 \text{ V}$ , $V_B = 0 \text{ V}$ , ±1 LSB error band	$t_S$		2		μs

- Typical specifications represent average readings at +25°C and  $V_{DD} = 5 \text{ V}$ .
- Resistor position nonlinearity error R-INL is the deviation from an ideal value measured between the maximum resistance and the minimum resistance wiper positions. R-DNL measures the relative step change from ideal between successive tap positions. Parts are guaranteed monotonic.
- $V_{AB} = V_{DD}$ , Wiper ( $V_W$ ) = no connect.
- INL and DNL are measured at  $V_W$  with the digital potentiometer configured as a potentiometer divider similar to a voltage output D/A converter.  $V_A = V_{DD}$  and  $V_B = 0 \text{ V}$ . DNL specification limits of ±1 LSB maximum are guaranteed monotonic operating conditions.
- Resistor terminals A, B, W have no limitations on polarity with respect to each other.
- Guaranteed by design and not subject to production test.
- Maximum terminal current is bounded by the maximum current handling of the switches, maximum power dissipation of the package, and maximum applied voltage across any two of the A, B, and W terminals at a given resistance.
- All dynamic characteristics use  $V_{DD} = 5 \text{ V}$ .

# CAT5191

**Table 5. CAPACITANCE**

$T_A = 25^\circ\text{C}$ ,  $f = 1.0\text{ MHz}$ ,  $V_{DD} = 5\text{ V}$

Symbol	Test	Conditions	Max	Units
$C_{I/O}$ (Note 11)	Input/Output Capacitance (SDA, SCL)	$V_{I/O} = 0\text{V}$	8	pF

**Table 6. POWER UP TIMING** (Notes 11 and 12)

Symbol	Parameter	Max	Units
$t_{PUR}$	Power-up to Read Operation	1	ms
$t_{PUW}$	Power-up to Write Operation	1	ms

11. This parameter is tested initially and after a design or process change that affects the parameter.

12.  $t_{PUR}$  and  $t_{PUW}$  are delays required from the time  $V_{CC}$  is stable until the specified operation can be initiated.

**Table 7. DIGITAL POTENTIOMETER TIMING**

Symbol	Parameter	Min	Max	Units
$t_{WRPO}$	Wiper Response Time After Power Supply Stable		50	$\mu\text{s}$
$t_{WR}$	Wiper Response Time: SCL falling edge after last bit of wiper position data byte to wiper change		20	$\mu\text{s}$

**Table 8. A.C. CHARACTERISTICS**

$V_{DD} = +2.7\text{ V to }+5.5\text{ V}$ ,  $-40^\circ\text{C to }+125^\circ\text{C}$  unless otherwise specified.

Symbol	Parameter	Min	Typ	Max	Units
$f_{SCL}$	Clock Frequency			400	kHz
$t_{HIGH}$	Clock High Period	600			ns
$t_{LOW}$	Clock Low Period	1300			ns
$t_{SU:STA}$	Start Condition Setup Time (for a Repeated Start Condition)	600			ns
$t_{HD:STA}$	Start Condition Hold Time	600			ns
$t_{SU:DAT}$	Data in Setup Time	100			ns
$t_{HD:DAT}$	Data in Hold Time	0			ns
$t_{SU:STO}$	Stop Condition Setup Time	600			ns
$t_{BUF}$	Time the bus must be free before a new transmission can start	1300			ns
$t_R$	SDA and SCL Rise Time			300	ns
$t_F$	SDA and SCL Fall Time			300	ns
$t_{DH}$	Data Out Hold Time		100		ns
$T_I$	Noise Suppression Time Constant at SCL, SDA Inputs			50	ns
$t_{AA}$	SCL Low to SDA Data Out and ACK Out			1	$\mu\text{s}$

TYPICAL CHARACTERISTICS

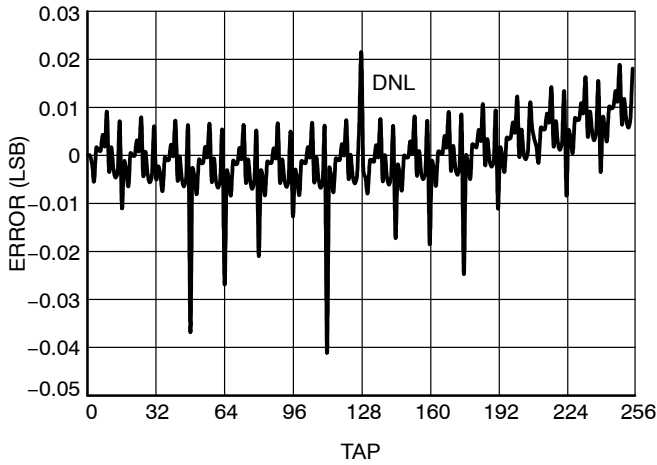


Figure 2. Differential Non-Linearity,  $V_{DD} = 5.6\text{ V}$

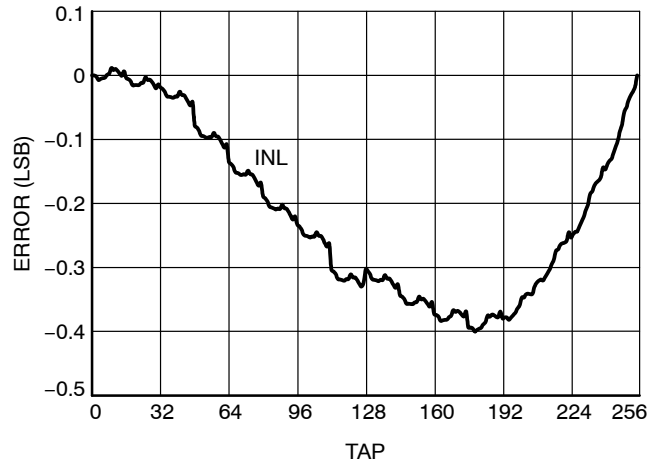


Figure 3. Integral Non-Linearity,  $V_{DD} = 5.6\text{ V}$

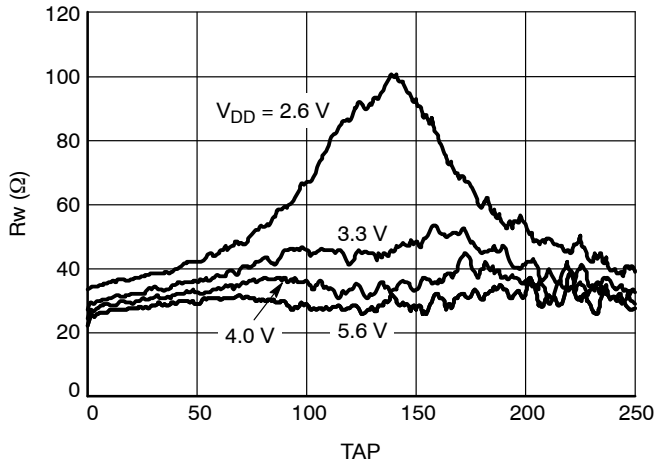


Figure 4. Wiper Resistance at Room Temperature

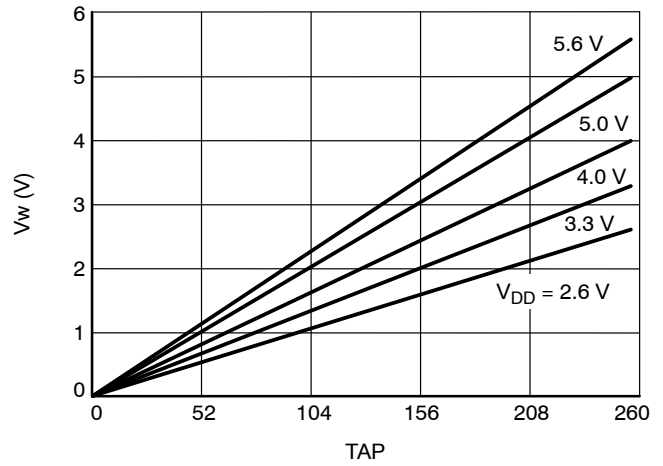


Figure 5. Wiper Voltage

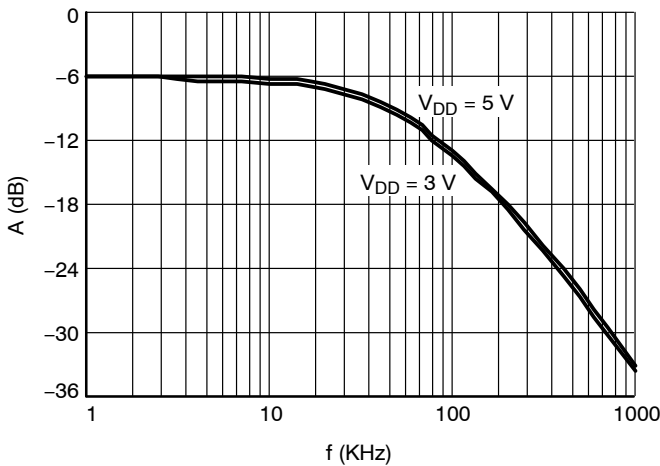


Figure 6. Gain vs. Bandwidth (Tap 0x80)

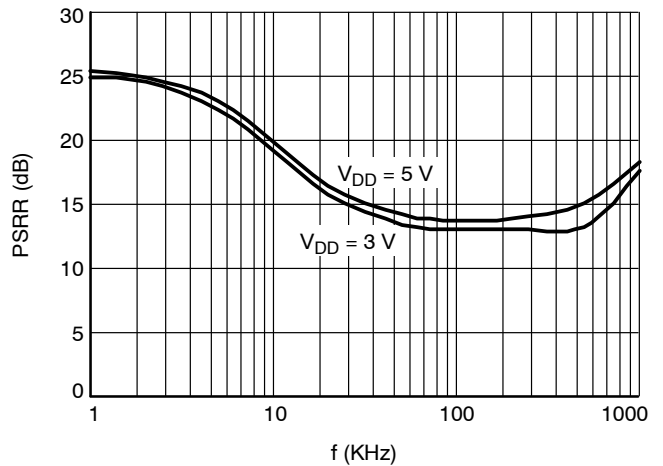


Figure 7. PSRR

**BASIC OPERATION**

The CAT5191 is a 256-position digitally controlled potentiometer. When power is first applied, the wiper assumes a mid-scale position. Once the power supply is

stable, the wiper may be repositioned via the I<sup>2</sup>C compatible interface.

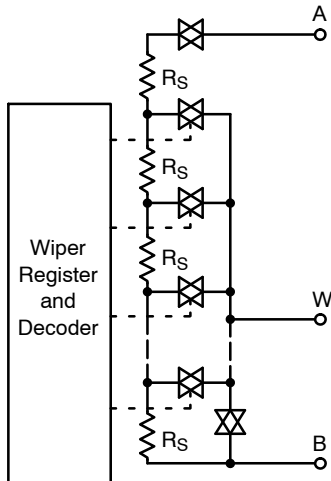
**PROGRAMMING: VARIABLE RESISTOR**

**Rheostat Mode**

The resistance between terminals A and B, R<sub>AB</sub>, has a nominal value of 50 kΩ or 100 kΩ and has 256 contact points accessed by the wiper terminal, plus the B terminal contact. Data in the 8-bit Wiper register is decoded to select one of these 256 possible settings.

The wiper's first connection is at the B terminal, corresponding to control position 0x00. Ideally this would present a 0 Ω between the Wiper and B, but just as with a mechanical rheostat there is a small amount of contact resistance to be considered, there is a wiper resistance comprised of the R<sub>ON</sub> of the FET switch connecting the wiper output with its respective contact point. In CAT5191 this 'contact' resistance is typically 50 Ω. Thus a connection setting of 0x00 yields a minimum resistance of 50 Ω between terminals W and B.

For a 100 kΩ device, the second connection, or the first tap point, corresponds to 441 Ω (R<sub>WB</sub> = R<sub>AB</sub>/256 + R<sub>W</sub> = 390.6 + 50 Ω) for data 0x01. The third connection is the next tap point, is 831 Ω (2 x 390.6 + 50 Ω) for data 0x02, and so on. Figure 8 shows a simplified equivalent circuit where the last resistor string will not be accessed; therefore, there is 1 LSB less of the nominal resistance at full scale in addition to the wiper resistance.



**Figure 8. CAT5191 Equivalent Digital POT Circuit**

The equation for determining the digitally programmed output resistance between W and B is

$$R_{WB} = \frac{D}{256} R_{AB} + R_W \quad (\text{eq. 1})$$

where D is the decimal equivalent of the binary code loaded in the 8-bit Wiper register, R<sub>AB</sub> is the end-to-end resistance,

and R<sub>W</sub> is the wiper resistance contributed by the on resistance of the internal switch.

In summary, if R<sub>AB</sub> = 100 kΩ and the A terminal is open circuited, the following output resistance R<sub>WB</sub> will be set for the indicated Wiper register codes:

**Table 9. CODES AND CORRESPONDING R<sub>WB</sub> RESISTANCE FOR R<sub>AB</sub> = 100 kΩ, V<sub>DD</sub> = 5 V**

D (Dec.)	R <sub>WB</sub> (Ω)	Output State
255	99,659	Full Scale (R <sub>AB</sub> - 1 LSB + R <sub>W</sub> )
128	50,050	Midscale
1	441	1 LSB
0	50	Zero Scale (Wiper Contact Resistance)

Be aware that in the zero-scale position, the wiper resistance of 50 Ω is still present. Current flow between W and B in this condition should be limited to a maximum pulsed current of no more than 20 mA. Failure to heed this restriction can cause degradation or possible destruction of the internal switch contact.

Similar to the mechanical potentiometer, the resistance of the digital POT between the wiper W and terminal A also produces a digitally controlled complementary resistance R<sub>WA</sub>. When these terminals are used, the B terminal can be opened. Setting the resistance value for R<sub>WA</sub> starts at a maximum value of resistance and decreases as the data loaded in the latch increases in value. The general equation for this operation is

$$R_{WA}(D) = \frac{256 - D}{256} R_{AB} + R_W \quad (\text{eq. 2})$$

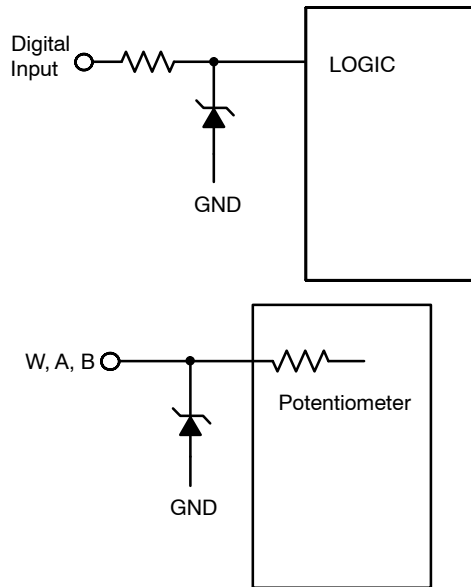
For R<sub>AB</sub> = 100 kΩ and the B terminal open circuited, the following output resistance R<sub>WA</sub> will be set for the indicated Wiper register codes.

**Table 10. CODES AND CORRESPONDING R<sub>WA</sub> RESISTANCE FOR R<sub>AB</sub> = 100 kΩ, V<sub>DD</sub> = 5 V**

D (Dec.)	R <sub>WA</sub> (Ω)	Output State
255	441	Full Scale
128	50,050	Midscale
1	99,659	1 LSB
0	100,050	Zero Scale

Typical device to device resistance matching is lot dependent and may vary by up to ±20%.

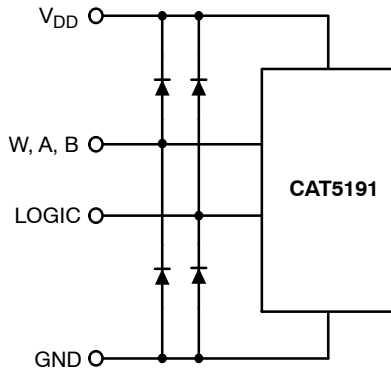
**ESD Protection**



**Figure 9. ESD Protection Networks**

**Terminal Voltage Operating Range**

The CAT5191  $V_{DD}$  and GND power supply define the limits for proper 3-terminal digital potentiometer operation. Signals or potentials applied to terminals A, B or the wiper must remain inside the span of  $V_{DD}$  and GND. Signals which attempt to go outside these boundaries will be clamped by the internal forward biased diodes.



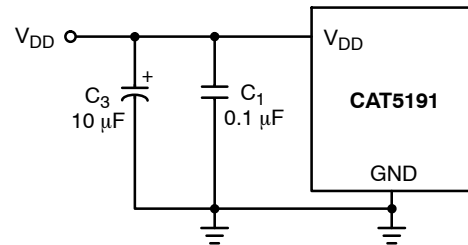
**Figure 10.**

**Power-up Sequence**

Because ESD protection diodes limit the voltage compliance at terminals A, B, and W (see Figure 9), it is recommended that  $V_{DD}/GND$  be powered before applying any voltage to terminals A, B, and W. The ideal power-up sequence is: GND,  $V_{DD}$ , digital inputs, and then  $V_{A/B/W}$ . The order of powering  $V_A$ ,  $V_B$ ,  $V_W$ , and the digital inputs is not important as long as they are powered after  $V_{DD}/GND$ .

**Power Supply Bypassing**

Good design practice employs compact, minimum lead length layout design. Leads should be as direct as possible. It is also recommended to bypass the power supplies with quality low ESR Ceramic chip capacitors of  $0.01 \mu F$  to  $0.1 \mu F$ . Low ESR  $1 \mu F$  to  $10 \mu F$  tantalum or electrolytic capacitors can also be applied at the supplies to suppress transient disturbances and low frequency ripple. As a further precaution digital ground should be joined remotely to the analog ground at one point to minimize the ground bounce.



**Figure 11. Power Supply Bypassing**

# CAT5191

## I<sup>2</sup>C BUS PROTOCOL

The following defines the features of the I<sup>2</sup>C bus protocol:

1. Data transfer may be initiated only when the bus is not busy.
2. During a data transfer, the data line must remain stable whenever the clock line is high. Any changes in the data line while the clock is high will be interpreted as a START or STOP condition.

The device controlling the transfer is a master, typically a processor or controller, and the device being controlled is the slave. The master will always initiate data transfers and provide the clock for both transmit and receive operations. Therefore, the CAT5191 will be considered a slave device in all applications.

### START Condition

The START condition precedes all commands to the device, and is defined as a high to low transition of SDA when SCL is high. The CAT5191 monitors the SDA and SCL lines and will not respond until this condition is met.

### STOP Condition

A low to high transition of SDA when SCL is high determines the STOP condition. All operations must end with a STOP condition.

### Device Addressing

The bus Master begins a transmission by sending a START condition. The Master then sends the address of the particular slave device it is requesting. The six most significant bits of the 8-bit slave address are fixed as 010110 for the CAT5191. The next bit (AD0) is the device least significant address bit and defines which device the Master is accessing. Up to two devices may be individually addressed by the system. Typically, +5 V (V<sub>DD</sub>) or ground

is hard-wired to the AD0 pin to establish the device's address.

After the Master sends a START condition and the slave address byte, the CAT5191 monitors the bus and responds with an acknowledge (on the SDA line) when its address matches the transmitted slave address.

### Acknowledge

After a successful data transfer, each receiving device is required to generate an acknowledge. The Acknowledging device pulls down the SDA line during the ninth clock cycle, signaling that it received the 8 bits of data.

The CAT5191 responds with an acknowledge after receiving a START condition and its slave address. If the device has been selected along with a write operation, it responds with an acknowledge after receiving each 8-bit byte.

When the CAT5191 is in a READ mode it transmits 8 bits of data, releases the SDA line, and monitors the line for an acknowledge. Once it receives this acknowledge, the CAT5191 will continue to transmit data. If no acknowledge is sent by the Master, the device terminates data transmission and waits for a STOP condition.

### Write Operation

In the Write mode, the Master device sends the START condition and the slave address information to the Slave device. After the Slave generates an acknowledge, the Master sends the instruction byte. After receiving another acknowledge from the Slave, the Master device transmits the data to be written into the wiper register. The CAT5191 acknowledges once more and the Master generates the STOP condition.

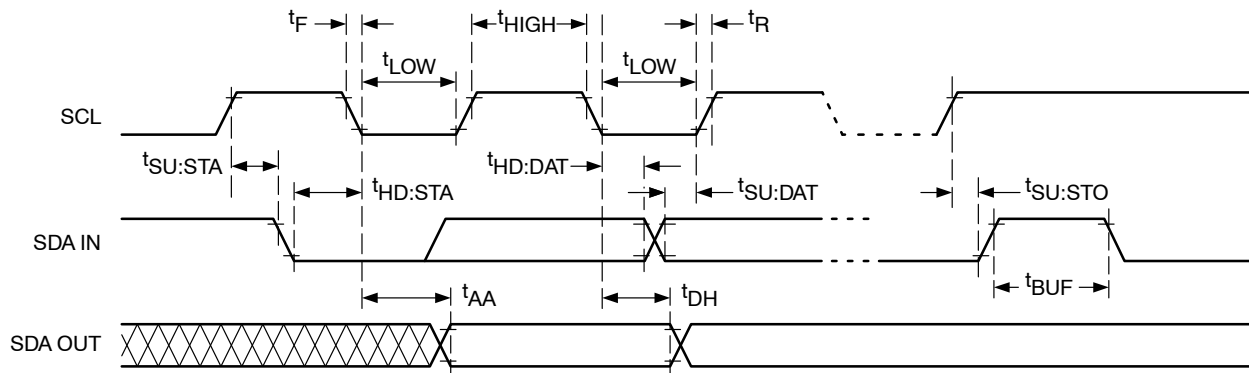
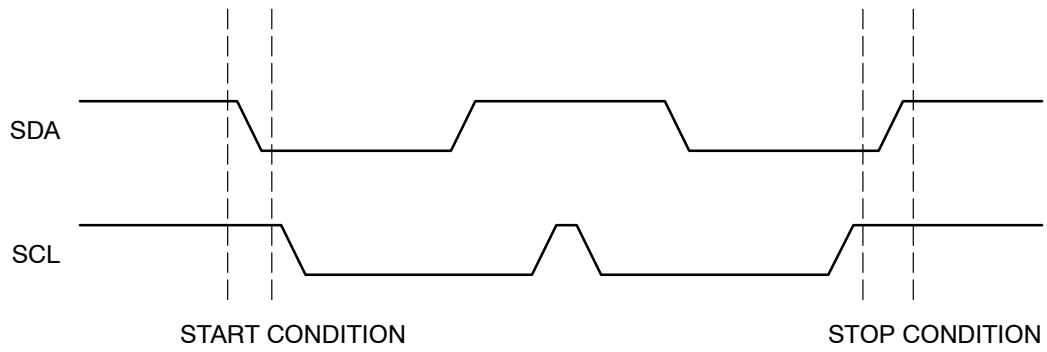


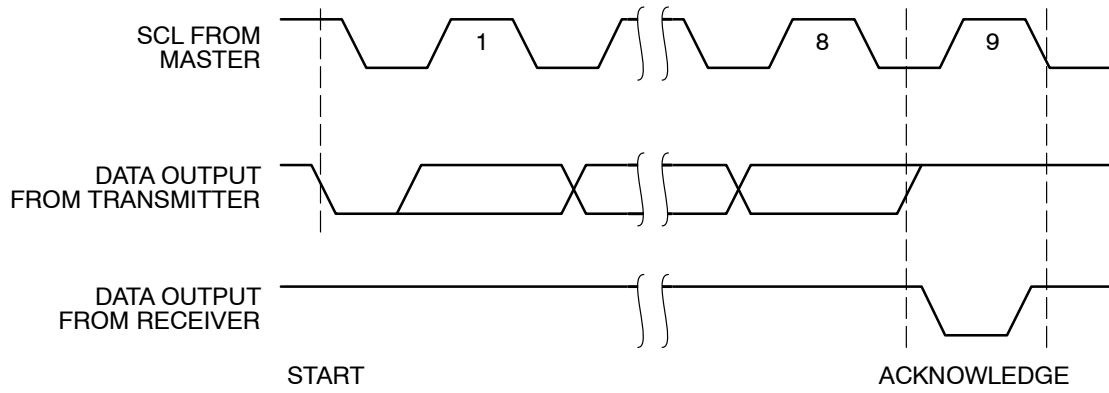
Figure 12. Bus Timing Diagram



# CAT5191



**Figure 13. Start/Stop Condition**



**Figure 14. Acknowledge Condition**

# CAT5191

## INSTRUCTION AND REGISTER DESCRIPTION

### Slave Address Byte

The first byte sent to the CAT5191 from the master/processor is called the Slave Address Byte. The most significant six bits of the slave address are a device type identifier. For the CAT5191, these bits are fixed at 010110.

The next bit, AD0, is the first bit of the internal slave address and must match the physical device address which is defined by the state of the AD0 input pin for the CAT5191 to successfully continue the command sequence. Only the device which slave address matches the incoming device address sent by the master executes the instruction. The AD0 input can be actively driven by CMOS input signals or tied to the supply voltage or ground.

The next bit, R/W, indicates whether this command corresponds to a Write or Read instruction. To write into the Wiper control register, R/W bit is set to a logic low; while a read from the wiper register is done with the bit high.

### Wiper Control

The CAT5191 contains one 8-bit Wiper Control Register (WCR). The Wiper Control Register output is decoded to select one of 256 switches along its resistor array. The contents of the WCR may be written by the host via Write instruction.

The Wiper Control Register is a volatile register that loses its contents when the CAT5191 is powered-down. Upon

power-up, the wiper is set to midscale and may be repositioned anytime after the power has become stable.

### Instructions

Write and Read instructions are respectively three and two bytes in length. The basic sequence of the two instructions is illustrated in Table 11 and 12.

In write mode, the second byte is the instruction byte. The first bit (MSB) of the instruction byte is a don't care. The second MSB, RS, is the midscale reset. A logic high on this bit moves the wiper to the center tap. The third MSB, SD, is a shutdown bit. A logic high causes an open circuit at terminal A, and short the wiper terminal W to terminal B. The "shutdown" operation does not change the contents of the wiper register. When the shutdown bit, SD, goes back to a logic low, the previous wiper position is restored. Also during shutdown, new settings can be programmed. As soon as the device is returned from shutdown, the wiper position is set according to the wiper register value.

### Two CAT5191 on a Single Bus

When needed, it is possible to connect two CAT5191 potentiometers on the same I<sup>2</sup>C bus and be able to address each one independently. Each device can be set to a unique address by using the AD0 input pin. One device AD0 pin is connected to ground, and the other device AD0 pin is tied to the supply voltage.

Table 11. Write

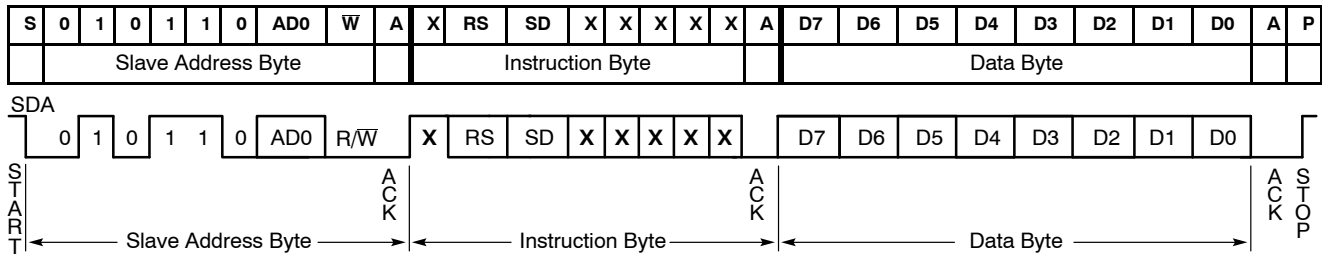
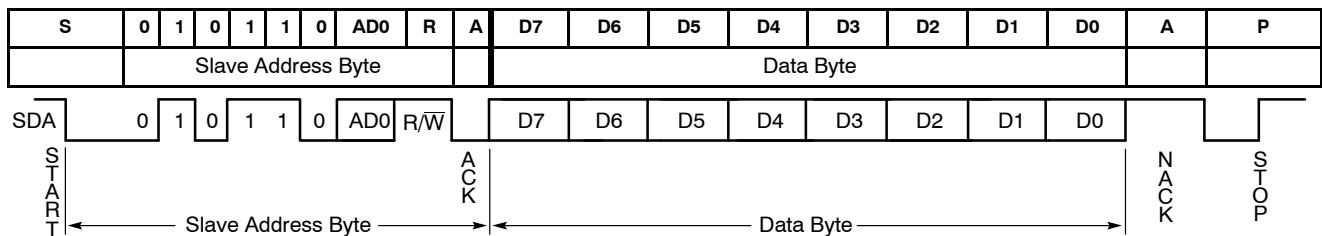


Table 12. READ



### Legend

- S = Start
- P = Stop
- A = Acknowledge
- AD0 = Address bit 0, needed when using two potentiometers on the same I<sup>2</sup>C bus.
- D = Data bit
- R = Read (bit is 1 for Read instruction)

- $\overline{W}$  = Write (bit is 0 for Write instruction)
- RS = When the bit is 1, the wiper position is moved to mid-scale 0x80
- SD = Shut Down:
  - 0: normal operation
  - 1: wiper is parked at B terminal and terminal A is open circuit.
- X = Don't Care

# MECHANICAL CASE OUTLINE

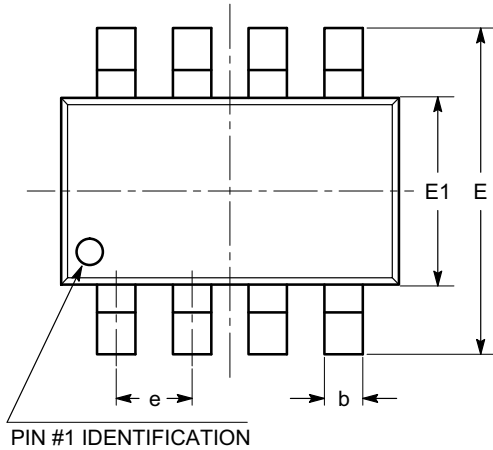
## PACKAGE DIMENSIONS

ON Semiconductor®



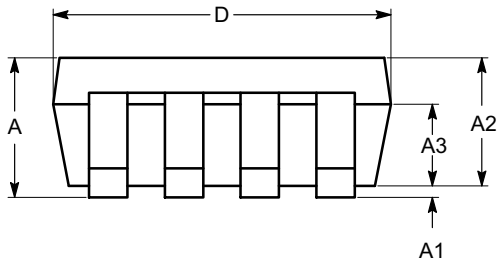
**SOT-23, 8 Lead**  
**CASE 527AK-01**  
**ISSUE A**

DATE 18 MAR 2009

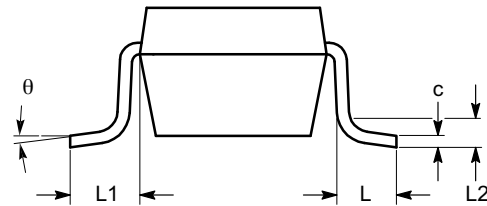


**TOP VIEW**

SYMBOL	MIN	NOM	MAX
A	0.90		1.45
A1	0.00		0.15
A2	0.90	1.10	1.30
A3	0.60		0.80
b	0.28		0.38
c	0.08		0.22
D	2.90 BSC		
E	2.80 BSC		
E1	1.60 BSC		
e	0.65 BSC		
L	0.30	0.45	0.60
L1	0.60 REF		
L2	0.25 REF		
$\theta$	0°		8°



**SIDE VIEW**



**END VIEW**

**Notes:**

- (1) All dimensions in millimeters. Angles in degrees.
- (2) Complies with JEDEC standard MO-178.

<b>DOCUMENT NUMBER:</b>	<b>98AON34327E</b>	Electronic versions are uncontrolled except when accessed directly from the Document Repository. Printed versions are uncontrolled except when stamped "CONTROLLED COPY" in red.
<b>DESCRIPTION:</b>	<b>SOT-23, 8 LEAD</b>	<b>PAGE 1 OF 1</b>

ON Semiconductor and are trademarks of Semiconductor Components Industries, LLC dba ON Semiconductor or its subsidiaries in the United States and/or other countries. ON Semiconductor reserves the right to make changes without further notice to any products herein. ON Semiconductor makes no warranty, representation or guarantee regarding the suitability of its products for any particular purpose, nor does ON Semiconductor assume any liability arising out of the application or use of any product or circuit, and specifically disclaims any and all liability, including without limitation special, consequential or incidental damages. ON Semiconductor does not convey any license under its patent rights nor the rights of others.

**onsemi**, **Onsemi**, and other names, marks, and brands are registered and/or common law trademarks of Semiconductor Components Industries, LLC dba "**onsemi**" or its affiliates and/or subsidiaries in the United States and/or other countries. **onsemi** owns the rights to a number of patents, trademarks, copyrights, trade secrets, and other intellectual property. A listing of **onsemi**'s product/patent coverage may be accessed at [www.onsemi.com/site/pdf/Patent-Marking.pdf](http://www.onsemi.com/site/pdf/Patent-Marking.pdf). **onsemi** reserves the right to make changes at any time to any products or information herein, without notice. The information herein is provided "as-is" and **onsemi** makes no warranty, representation or guarantee regarding the accuracy of the information, product features, availability, functionality, or suitability of its products for any particular purpose, nor does **onsemi** assume any liability arising out of the application or use of any product or circuit, and specifically disclaims any and all liability, including without limitation special, consequential or incidental damages. Buyer is responsible for its products and applications using **onsemi** products, including compliance with all laws, regulations and safety requirements or standards, regardless of any support or applications information provided by **onsemi**. "Typical" parameters which may be provided in **onsemi** data sheets and/or specifications can and do vary in different applications and actual performance may vary over time. All operating parameters, including "Typicals" must be validated for each customer application by customer's technical experts. **onsemi** does not convey any license under any of its intellectual property rights nor the rights of others. **onsemi** products are not designed, intended, or authorized for use as a critical component in life support systems or any FDA Class 3 medical devices or medical devices with a same or similar classification in a foreign jurisdiction or any devices intended for implantation in the human body. Should Buyer purchase or use **onsemi** products for any such unintended or unauthorized application, Buyer shall indemnify and hold **onsemi** and its officers, employees, subsidiaries, affiliates, and distributors harmless against all claims, costs, damages, and expenses, and reasonable attorney fees arising out of, directly or indirectly, any claim of personal injury or death associated with such unintended or unauthorized use, even if such claim alleges that **onsemi** was negligent regarding the design or manufacture of the part. **onsemi** is an Equal Opportunity/Affirmative Action Employer. This literature is subject to all applicable copyright laws and is not for resale in any manner.

## ADDITIONAL INFORMATION

### TECHNICAL PUBLICATIONS:

Technical Library: [www.onsemi.com/design/resources/technical-documentation](http://www.onsemi.com/design/resources/technical-documentation)  
onsemi Website: [www.onsemi.com](http://www.onsemi.com)

### ONLINE SUPPORT: [www.onsemi.com/support](http://www.onsemi.com/support)

For additional information, please contact your local Sales Representative at [www.onsemi.com/support/sales](http://www.onsemi.com/support/sales)