



Is Now Part of



ON Semiconductor®

To learn more about ON Semiconductor, please visit our website at
www.onsemi.com

Please note: As part of the Fairchild Semiconductor integration, some of the Fairchild orderable part numbers will need to change in order to meet ON Semiconductor's system requirements. Since the ON Semiconductor product management systems do not have the ability to manage part nomenclature that utilizes an underscore (_), the underscore (_) in the Fairchild part numbers will be changed to a dash (-). This document may contain device numbers with an underscore (_). Please check the ON Semiconductor website to verify the updated device numbers. The most current and up-to-date ordering information can be found at www.onsemi.com. Please email any questions regarding the system integration to Fairchild_questions@onsemi.com.

ON Semiconductor and the ON Semiconductor logo are trademarks of Semiconductor Components Industries, LLC dba ON Semiconductor or its subsidiaries in the United States and/or other countries. ON Semiconductor owns the rights to a number of patents, trademarks, copyrights, trade secrets, and other intellectual property. A listing of ON Semiconductor's product/patent coverage may be accessed at www.onsemi.com/site/pdf/Patent-Marking.pdf. ON Semiconductor reserves the right to make changes without further notice to any products herein. ON Semiconductor makes no warranty, representation or guarantee regarding the suitability of its products for any particular purpose, nor does ON Semiconductor assume any liability arising out of the application or use of any product or circuit, and specifically disclaims any and all liability, including without limitation special, consequential or incidental damages. Buyer is responsible for its products and applications using ON Semiconductor products, including compliance with all laws, regulations and safety requirements or standards, regardless of any support or applications information provided by ON Semiconductor. "Typical" parameters which may be provided in ON Semiconductor data sheets and/or specifications can and do vary in different applications and actual performance may vary over time. All operating parameters, including "Typicals" must be validated for each customer application by customer's technical experts. ON Semiconductor does not convey any license under its patent rights nor the rights of others. ON Semiconductor products are not designed, intended, or authorized for use as a critical component in life support systems or any FDA Class 3 medical devices or medical devices with a same or similar classification in a foreign jurisdiction or any devices intended for implantation in the human body. Should Buyer purchase or use ON Semiconductor products for any such unintended or unauthorized application, Buyer shall indemnify and hold ON Semiconductor and its officers, employees, subsidiaries, affiliates, and distributors harmless against all claims, costs, damages, and expenses, and reasonable attorney fees arising out of, directly or indirectly, any claim of personal injury or death associated with such unintended or unauthorized use, even if such claim alleges that ON Semiconductor was negligent regarding the design or manufacture of the part. ON Semiconductor is an Equal Opportunity/Affirmative Action Employer. This literature is subject to all applicable copyright laws and is not for resale in any manner.

FPAB30BH60

用于单相升压功率因数校正的 PFC SPM® 3 系列

特性

- 通过 UL 第 E209204 号认证 (UL1557)
- 600 V - 30 A 单相升压功率因数校正, 包含栅极驱动和保护的控制 IC
- 采用 DBC (Al₂O₃) 基板实现非常低的热阻
- 全波桥式整流器和高性能输出二极管
- 内置负温度系数热敏电阻可实现温度监测
- 针对 20 kHz 开关频率进行优化
- 绝缘等级: 2500 Vrms / 分钟

应用

- 单相升压功率因数校正转换器

相关资料

- [AN-9090 - PFC SPM 3 Series User's Guide](#)
- [AN-9091 - Boost PFC Inductor Design Guide](#)

引脚描述

FPAB30BH60 是 PFC SPM® 3 模块, 为消费、医药和工业应用提供非常全面的高性能升压功率因数校正输入功率平台。这些模块综合优化了内置 IGBT 的栅极驱动以最小化电磁干扰和能量损耗。同时也提供多重模组保护特性, 集成欠压闭锁, 过流保护, 热量监测和故障报告。这些模块内的全波整流器和高性能输出二极管, 为额外节省空间和方便安装起到了重要作用。

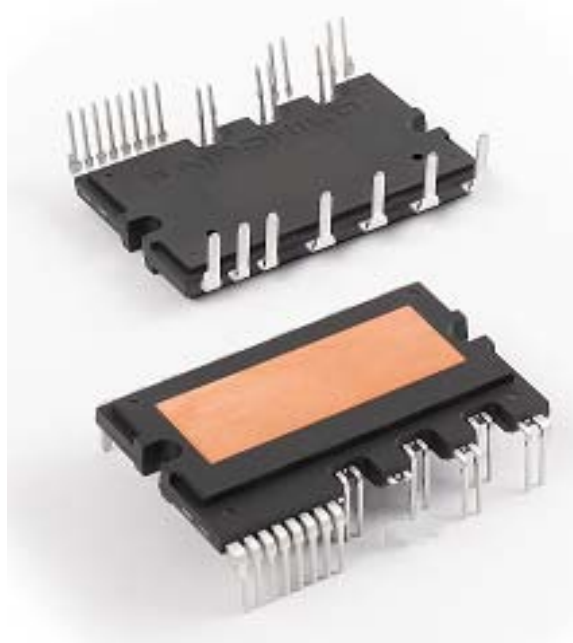


图 1. 封装概览

封装标识与订购信息

器件	器件标识	封装	包装类型	数量
FPAB30BH60	FPAB30BH60	SPMIA-027	Rail	10

集成的功率功能

- PFC 转换器，适用于单相 AC/DC 功率变换（请参见图 3）

集成的驱动、保护和系统控制功能

- 对于 IGBT：栅极驱动电路、过流保护（OCP）、控制电源欠压锁定（UVLO）保护
- 故障信号：对应 OC 和 UV 故障
- 内置热敏电阻：温度监控
- 输入接口：高电平有效接口，可用于 3.3 / 5 V 逻辑电平，施密特触发脉冲输入

引脚配置

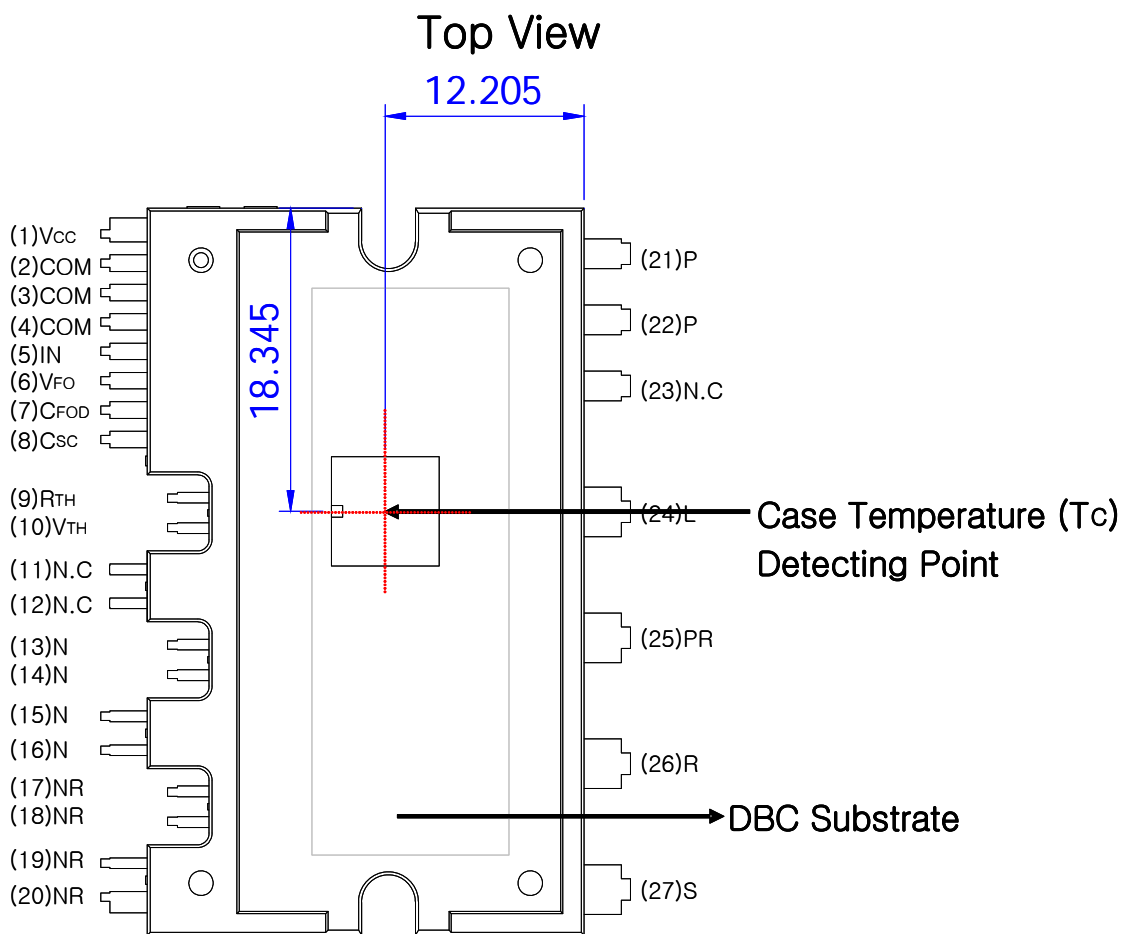


图 2. 俯视图

注：

1. 关于壳体温度 (T_c) 的测量点，请参见图 2。

引脚描述

引脚号	引脚名	引脚描述
1	V _{CC}	驱动 IC 和 IGBT 的通用偏置电压
2,3,4	COM	公共电源接地
5	IN	IGBT 信号输入
6	V _{FO}	故障输出
7	C _{FOD}	设置故障输出持续时间的电容
8	C _{SC}	过电流感测电容（低通滤波器）
9	R _(TH)	供热敏电阻使用的串联电阻器
10	V _(TH)	热敏电阻偏压
11,12	N.C	无连接
13~16	N	IGBT 发射极
17~20	N _R	整流器直流负端
21,22	P	直流正端
23	N.C	无连接
24	L	电感器连接引脚
25	P _R	整流器直流正端
26	R	R 相的交流输入
27	S	S 相的交流输入

引脚 11 和引脚 12 被切除更多信息请参照产品封装外形图。

内部等效电路与输入 / 输出引脚

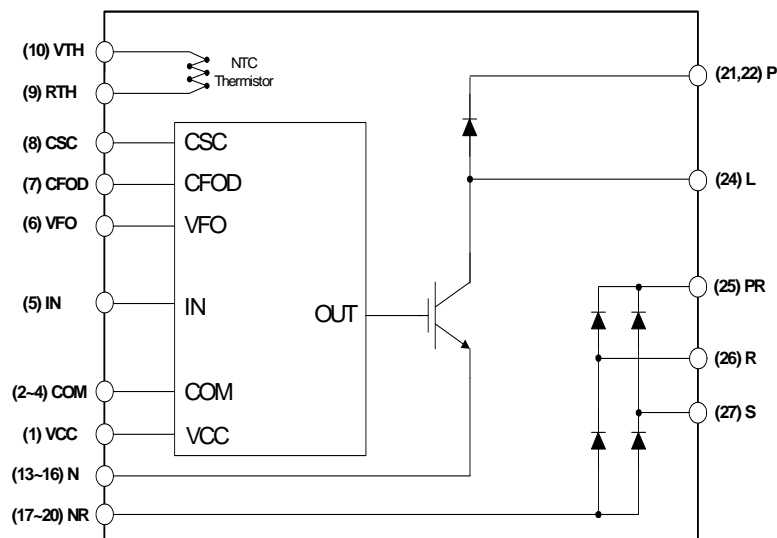


图 3. 内部框图

绝对最大额定值 ($T_J = 25^\circ\text{C}$, 除非另有说明。)**转换器部分**

符号	项目	条件	额定值	单位
V_i	电源电压	施加在 R - S 之间	264	V_{rms}
V_i (浪涌)	电源电压 (浪涌)	施加在 R - S 之间	500	V
V_{PN}	输出电压	施加在 P - N 之间	450	V
V_{PN} (浪涌)	输出电压 (浪涌)	施加在 P - N 之间	500	V
V_{CES}	集电极 - 发射极之间电压		600	V
I_{FSM}	正向浪涌峰值电流	单一正弦半波	250	A
I_i	输入电流 (100% 负载)	$T_C < 95^\circ\text{C}$, $V_i = 220\text{ V}$, $V_{PN} = 390\text{ V}$, $V_{PWM} = 20\text{ kHz}$	25	A
$I_i(125\%)$	输入电流 (125% 负载)	$T_C < 95^\circ\text{C}$, $V_i = 220\text{ V}$, $V_{PN} = 390\text{ V}$, $V_{PWM} = 20\text{ kHz}$, 1 分钟非重复性	30	A
P_C	集电极功耗	$T_C = 25^\circ\text{C}$	169	W
T_J	工作结温		-20 ~ 150	$^\circ\text{C}$

注:

1. PFC SPM® 产品内集成功率芯片的最大结温额定值为 150°C ($@T_C \leq 100^\circ\text{C}$)。但是, 为保证 PFC SPM 产品的安全工作, 平均结温应限制为 $T_{J(ave)} \leq 125^\circ\text{C}$ ($@T_C \leq 100^\circ\text{C}$)**控制部分**

符号	项目	条件	额定值	单位
V_{CC}	控制电源电压	施加在 V_{CC} - COM 之间	20	V
V_{IN}	输入信号电压	施加在 IN - COM 之间	-0.3 ~ $V_{CC}+0.3$	V
V_{FO}	故障输出电源电压	施加在 V_{FO} - COM 之间	-0.3 ~ $V_{CC}+0.3$	V
I_{FO}	故障输出电流	V_{FO} 引脚处的灌电流	5	mA
V_{SC}	电流感测输入电压	施加在 C_{SC} - COM 之间	-0.3 ~ $V_{CC}+0.3$	V

整个系统

符号	项目	条件	额定值	单位
T_C	模块壳体工作温度		-20 ~ 100	$^\circ\text{C}$
T_{STG}	存储温度		-40 ~ 125	$^\circ\text{C}$
V_{ISO}	绝缘电压	60 Hz, 正弦波形, 交流 1 分钟, 连接陶瓷基板到引脚	2500	V_{rms}

热阻

符号	项目	条件	最小值	典型值	最大值	单位
$R_{\theta(j-c)Q}$	结点 - 壳体的热阻	IGBT	-	-	0.74	$^\circ\text{C}/\text{W}$
$R_{\theta(j-c)F}$		FRD	-	-	1.44	$^\circ\text{C}/\text{W}$
$R_{\theta(j-c)R}$		整流器 (每 1/4 模块)	-	-	2.07	$^\circ\text{C}/\text{W}$

注:

2. 关于壳体温度 (T_C) 的测量点, 请参见图 2。

电气特性 (T_J = 25°C, 除非另有说明)

转换器部分

符号	项目	条件	最小值	典型值	最大值	单位
V _{CE(SAT)}	IGBT 饱和电压	V _{CC} = 15 V, V _{IN} = 5 V, I _C = 30 A	-	2.0	2.8	V
V _{FF}	快速恢复二极管正向电压	I _F = 30 A	-	1.8	2.5	V
V _{FR}	整流器正向电压	I _F = 30 A	-	1.2	1.5	V
t _{ON}	开关时间	V _{PN} = 400 V, V _{CC} = 15V, I _C = 30 A V _{IN} = 0 V ↔ 5 V, 电感负载 (注 3)	-	650	-	ns
t _{C(ON)}			-	400	-	ns
t _{OFF}			-	620	-	ns
t _{C(OFF)}			-	200	-	ns
t _{rr}			-	60	-	ns
I _{rr}			-	3.5	-	A
I _{CES}	集电极 - 发射极间漏电流	V _{CE} = V _{CES}	-	-	250	μA

注:

3. t_{ON} 和 t_{OFF} 包括模块内部驱动 IC 的传输延迟时间。t_{C(ON)} 和 t_{C(OFF)} 指在内部给定的栅极驱动条件下, IGBT 本身的开关时间。详细信息, 请参见图 4。

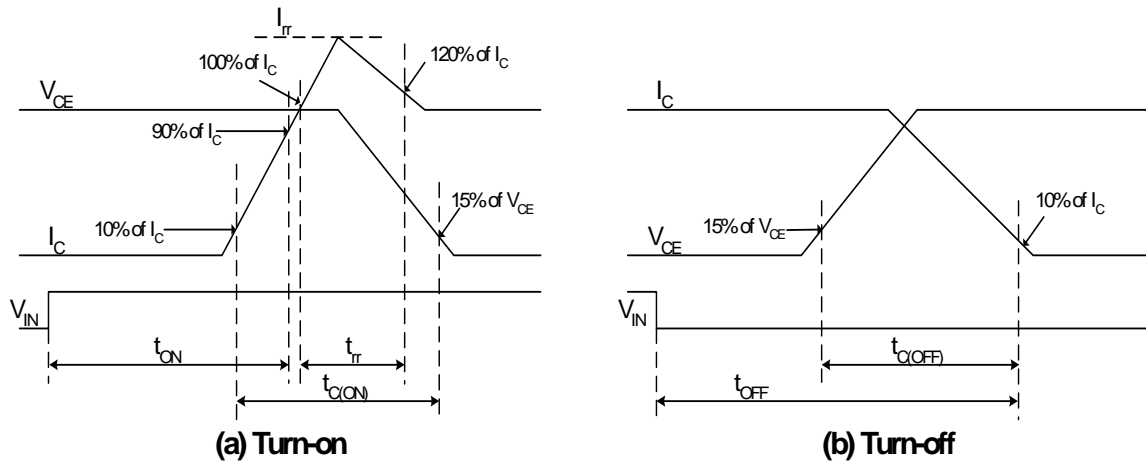


图 4. 开关时间的定义

控制部分

符号	项目	条件	最小值	典型值	最大值	单位
I_{QCCL}	V_{CC} 静态电源电流	$V_{CC} = 15\text{ V}$, $I_N = 0\text{ V}$ $V_{CC} - \text{COM}$	-	-	26	mA
V_{FOH}	故障输出电压	$V_{SC} = 0\text{ V}$, V_{FO} 电路: 4.7 k Ω 至 5 V 上拉	4.5	-	-	V
V_{FOL}		$V_{SC} = 1\text{ V}$, V_{FO} 电路: 4.7 k Ω 至 5 V 上拉	-	-	0.8	V
$V_{SC(\text{ref})}$	过电流保护触发电平	$V_{CC} = 15\text{ V}$	0.45	0.5	0.55	V
UV_{CCD}	电源电路欠压保护	检测电平	10.7	11.9	13.0	V
UV_{CCR}		复位电平	11.2	12.4	13.2	V
t_{FOD}	故障输出脉宽	$C_{FOD} = 33\text{ nF}$ (注 3)	1.4	1.8	2.0	ms
$V_{IN(\text{ON})}$	导通阈值电压	施加在 IN - COM 之间	2.8	-	-	V
$V_{IN(\text{OFF})}$	关断阈值电压		-	-	0.8	V
R_{TH}	热敏电阻的阻值	当 $T_{TH} = 25^\circ\text{C}$ 时 (注 4, 图 5)	-	50	-	k Ω
		当 $T_{TH} = 100^\circ\text{C}$ 时 (注 4, 图 5)	-	2.99	-	k Ω

注:

3. 故障输出脉宽 t_{FOD} 取决于电容 C_{FOD} 的值, 可采用下面的近似公式进行计算: $C_{FOD} = 18.3 \times 10^{-6} \times t_{FOD}[\text{F}]$ 4. T_{TH} 是壳体温度 (T_C) 的温度, 请根据具体应用进行试验。

R-T Graph

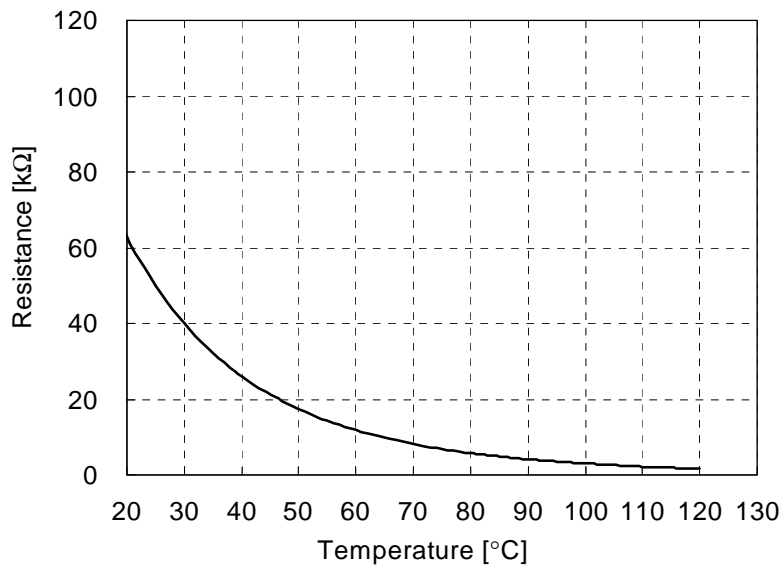


图 5. 内置热敏电阻的 R-T 曲线

推荐工作条件

符号	项目	条件	最小值	典型值	最大值	单位
V_i	输入电源电压	施加在 R - S 之间	187	220	253	V_{rms}
V_{PN}	输出电压	施加在 P - N 之间	-	380	400	V
V_{CC}	控制电源电压	施加于 $V_{CC(L)}$ - COM 之间	13.5	15.0	16.5	V
dV_{CC}/dt	控制电源波动		-1	-	1	$V/\mu s$
f_{PWM}	PWM 输入频率	$T_J \leq 150^\circ C$	-	20	-	kHz
I_i	允许的输入电流	$T_C < 90^\circ C$, $V_i = 220 V$, $V_{PN} = 380 V$ $V_{PWM} = 20 kHz$	-	-	30	A_{peak}

机械特性和额定值

项目	条件		最小值	典型值	最大值	单位
安装扭矩	安装螺钉: M3	建议 0.62 N•m	0.51	0.62	0.72	N•m
器件平面度	见图 6		0	-	+120	μm
重量			-	15.00	-	g

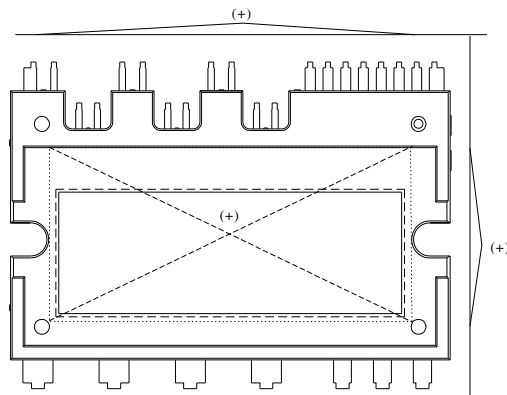
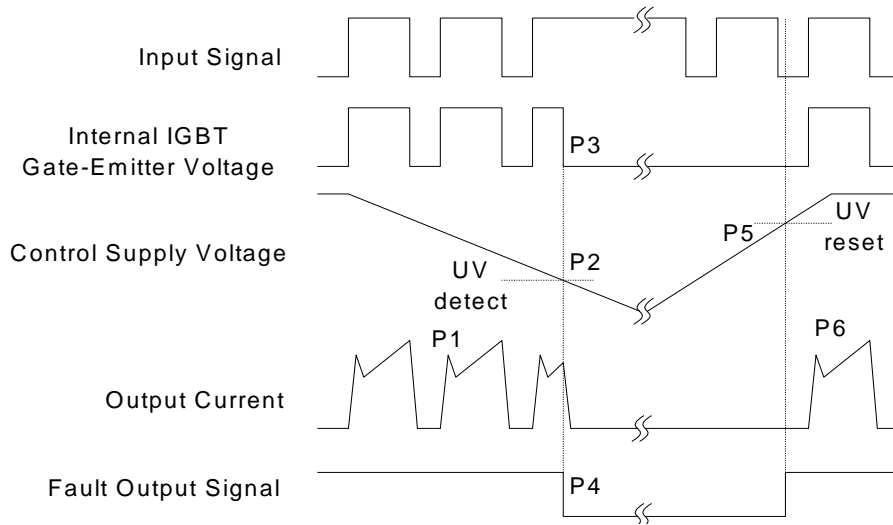


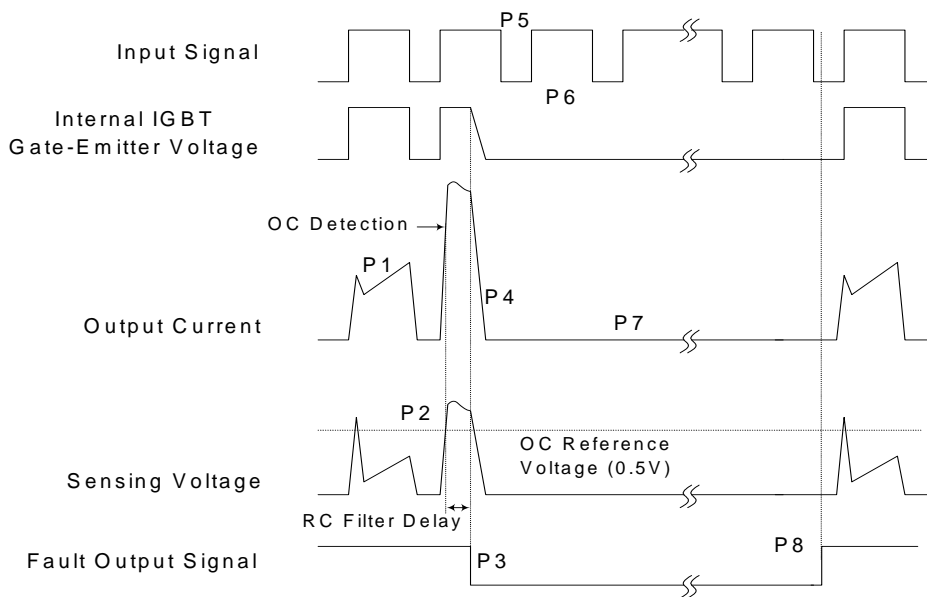
图 6. 平面度测量位置

保护功能时序图



- P1 : 正常工作: IGBT 导通并传导电流。
- P2 : 欠压检测
- P3 : IGBT 栅极中断
- P4 : 故障信号产生
- P5 : 欠压复位
- P6 : 正常工作: IGBT 导通并传导电流

图 7. 欠压保护



- P1 : 正常工作: IGBT 导通并传导电流
- P2 : 过流检测
- P3 : IGBT 栅极中断 / 故障信号产生
- P4 : IGBT 缓慢关断
- P5 : IGBT 关断信号
- P6 : IGBT 导通信号: 但是在故障输出有效的时间内, IGBT 不导通
- P7 : IGBT 关断状态
- P8 : 故障输出复位并启动正常工作

图 8. 过流保护

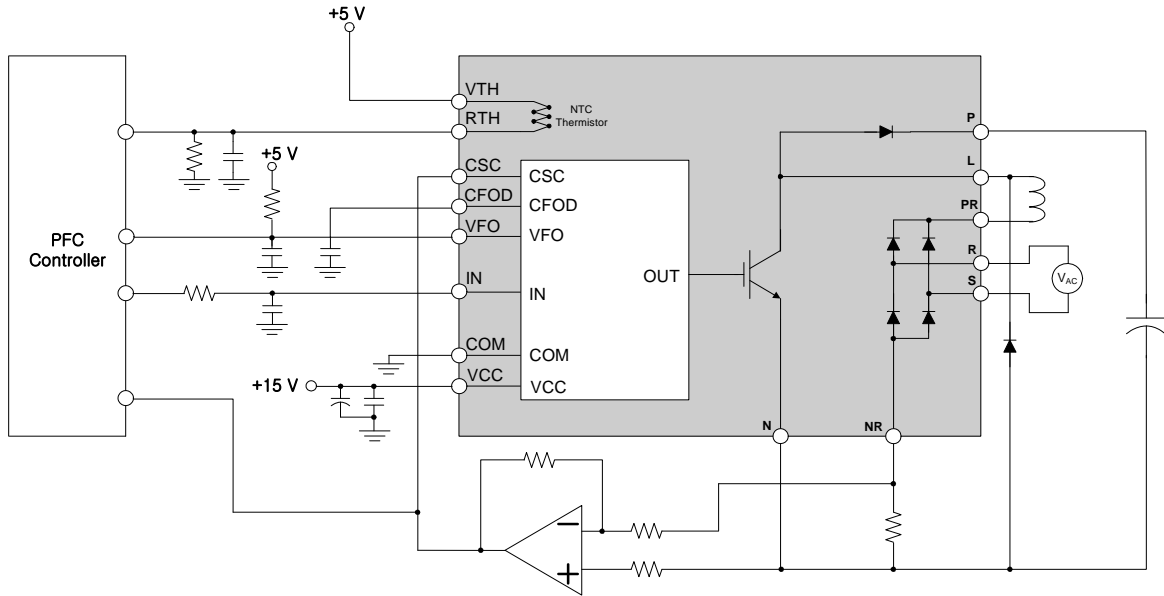
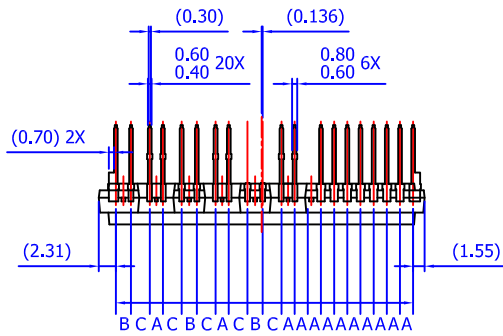


图 9. 应用实例

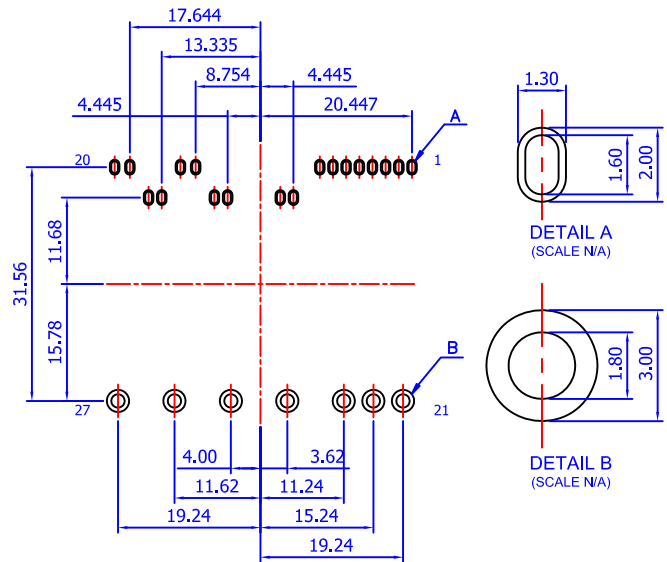
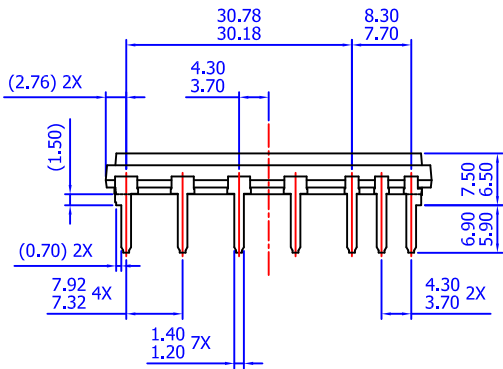
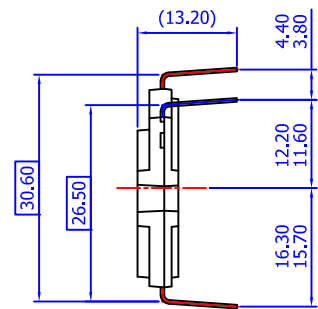
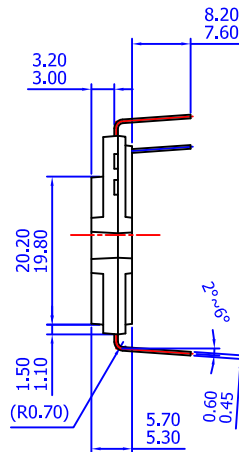
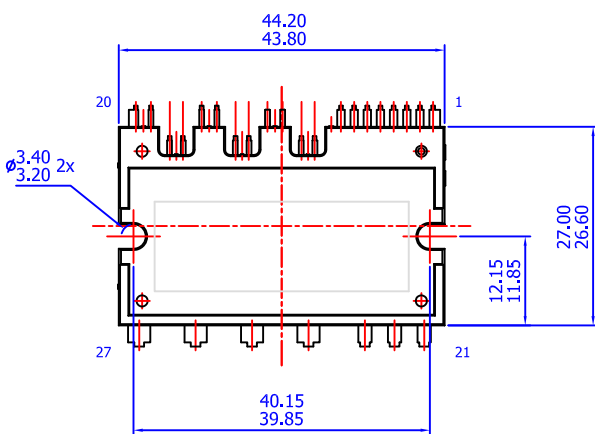
注:

5. 每个电容都应尽可能地靠近 PFC SPM[®] 产品的引脚安装。
6. 建议将反向并联二极管与 IGBT 相连接。



LEAD PITCH (TOLERANCE : ±0.30)

- A : 1.778
- B : 2.050
- C : 2.531



- NOTES: UNLESS OTHERWISE SPECIFIED
- A) THIS PACKAGE DOES NOT COMPLY TO ANY CURRENT PACKAGING STANDARD
 - B) ALL DIMENSIONS ARE IN MILLIMETERS
 - C) DIMENSIONS ARE EXCLUSIVE OF BURRS, MOLD FLASH, AND TIE BAR EXTRUSIONS
 - D) () IS REFERENCE
 - E) [] IS ASSY QUALITY
 - F) DRAWING FILENAME: MOD27BEREV3
 - G) FAIRCHILD SEMICONDUCTOR

LAND PATTERN RECOMMENDATIONS



ON Semiconductor and  are trademarks of Semiconductor Components Industries, LLC dba ON Semiconductor or its subsidiaries in the United States and/or other countries. ON Semiconductor owns the rights to a number of patents, trademarks, copyrights, trade secrets, and other intellectual property. A listing of ON Semiconductor's product/patent coverage may be accessed at www.onsemi.com/site/pdf/Patent-Marking.pdf. ON Semiconductor reserves the right to make changes without further notice to any products herein. ON Semiconductor makes no warranty, representation or guarantee regarding the suitability of its products for any particular purpose, nor does ON Semiconductor assume any liability arising out of the application or use of any product or circuit, and specifically disclaims any and all liability, including without limitation special, consequential or incidental damages. Buyer is responsible for its products and applications using ON Semiconductor products, including compliance with all laws, regulations and safety requirements or standards, regardless of any support or applications information provided by ON Semiconductor. "Typical" parameters which may be provided in ON Semiconductor data sheets and/or specifications can and do vary in different applications and actual performance may vary over time. All operating parameters, including "Typicals" must be validated for each customer application by customer's technical experts. ON Semiconductor does not convey any license under its patent rights nor the rights of others. ON Semiconductor products are not designed, intended, or authorized for use as a critical component in life support systems or any FDA Class 3 medical devices or medical devices with a same or similar classification in a foreign jurisdiction or any devices intended for implantation in the human body. Should Buyer purchase or use ON Semiconductor products for any such unintended or unauthorized application, Buyer shall indemnify and hold ON Semiconductor and its officers, employees, subsidiaries, affiliates, and distributors harmless against all claims, costs, damages, and expenses, and reasonable attorney fees arising out of, directly or indirectly, any claim of personal injury or death associated with such unintended or unauthorized use, even if such claim alleges that ON Semiconductor was negligent regarding the design or manufacture of the part. ON Semiconductor is an Equal Opportunity/Affirmative Action Employer. This literature is subject to all applicable copyright laws and is not for resale in any manner.

PUBLICATION ORDERING INFORMATION

LITERATURE FULFILLMENT:

Literature Distribution Center for ON Semiconductor
19521 E. 32nd Pkwy, Aurora, Colorado 80011 USA
Phone: 303-675-2175 or 800-344-3860 Toll Free USA/Canada
Fax: 303-675-2176 or 800-344-3867 Toll Free USA/Canada
Email: orderlit@onsemi.com

N. American Technical Support: 800-282-9855 Toll Free
USA/Canada
Europe, Middle East and Africa Technical Support:
Phone: 421 33 790 2910
Japan Customer Focus Center
Phone: 81-3-5817-1050

ON Semiconductor Website: www.onsemi.com
Order Literature: <http://www.onsemi.com/orderlit>
For additional information, please contact your local
Sales Representative