



Is Now Part of



**ON Semiconductor®**

To learn more about ON Semiconductor, please visit our website at  
[www.onsemi.com](http://www.onsemi.com)

Please note: As part of the Fairchild Semiconductor integration, some of the Fairchild orderable part numbers will need to change in order to meet ON Semiconductor's system requirements. Since the ON Semiconductor product management systems do not have the ability to manage part nomenclature that utilizes an underscore (\_), the underscore (\_) in the Fairchild part numbers will be changed to a dash (-). This document may contain device numbers with an underscore (\_). Please check the ON Semiconductor website to verify the updated device numbers. The most current and up-to-date ordering information can be found at [www.onsemi.com](http://www.onsemi.com). Please email any questions regarding the system integration to [Fairchild\\_questions@onsemi.com](mailto:Fairchild_questions@onsemi.com).

ON Semiconductor and the ON Semiconductor logo are trademarks of Semiconductor Components Industries, LLC dba ON Semiconductor or its subsidiaries in the United States and/or other countries. ON Semiconductor owns the rights to a number of patents, trademarks, copyrights, trade secrets, and other intellectual property. A listing of ON Semiconductor's product/patent coverage may be accessed at [www.onsemi.com/site/pdf/Patent-Marking.pdf](http://www.onsemi.com/site/pdf/Patent-Marking.pdf). ON Semiconductor reserves the right to make changes without further notice to any products herein. ON Semiconductor makes no warranty, representation or guarantee regarding the suitability of its products for any particular purpose, nor does ON Semiconductor assume any liability arising out of the application or use of any product or circuit, and specifically disclaims any and all liability, including without limitation special, consequential or incidental damages. Buyer is responsible for its products and applications using ON Semiconductor products, including compliance with all laws, regulations and safety requirements or standards, regardless of any support or applications information provided by ON Semiconductor. "Typical" parameters which may be provided in ON Semiconductor data sheets and/or specifications can and do vary in different applications and actual performance may vary over time. All operating parameters, including "Typicals" must be validated for each customer application by customer's technical experts. ON Semiconductor does not convey any license under its patent rights nor the rights of others. ON Semiconductor products are not designed, intended, or authorized for use as a critical component in life support systems or any FDA Class 3 medical devices or medical devices with a same or similar classification in a foreign jurisdiction or any devices intended for implantation in the human body. Should Buyer purchase or use ON Semiconductor products for any such unintended or unauthorized application, Buyer shall indemnify and hold ON Semiconductor and its officers, employees, subsidiaries, affiliates, and distributors harmless against all claims, costs, damages, and expenses, and reasonable attorney fees arising out of, directly or indirectly, any claim of personal injury or death associated with such unintended or unauthorized use, even if such claim alleges that ON Semiconductor was negligent regarding the design or manufacture of the part. ON Semiconductor is an Equal Opportunity/Affirmative Action Employer. This literature is subject to all applicable copyright laws and is not for resale in any manner.



# FSB70625

## Motion SPM® 7 系列

### 特性

- 通过 UL 第 E209204 号认证 (UL1557)
- 高性能 PQFN 封装
- 250 V  $R_{DS(on)} = 0.8 \Omega$  (最大值) FRFET MOSFET 三相逆变器, 带有栅极驱动器和保护功能
- 低端 MOSFET 的三个独立开源引脚用于三相电流感测
- 高电平有效接口, 可用于 3.3 / 5 V 逻辑电平, 施密特触发脉冲输入
- 针对低电磁干扰进行优化
- 内置于 HVIC 的温度感测
- 用于栅极驱动, 互锁功能和欠压保护的 HVIC
- 绝缘等级: 1500 V<sub>rms</sub> / 分钟
- 湿度敏感等级 (MSL) 3
- 符合 RoHS 标准

### 应用

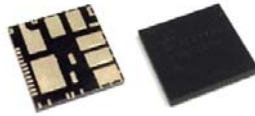
- 小功率交流电机驱动器的三相逆变器驱动

### 相关资料

- [AN-9077 - Motion SPM® 7 Series User's Guide](#)
- [AN-9078 - Surface Mount Guidelines for Motion SPM® 7 Series](#)

### 概述

FSB70625 是一款先进的 Motion SPM® 7 模块, 为交流感应、无刷直流电机和 PMSM 电机提供非常全面的高性能逆变器输出平台。这些模块综合优化了内置 MOSFETs (FRFET® 技术) 的栅极驱动以最小化电磁干扰和能量损耗。同时也提供多重模组保护特性, 集成欠压闭锁, 热量监测, 故障报告和互锁功能。内置的一个 HVIC 将逻辑电平栅极输入转化为适合驱动模块内部 MOSFET 的高电压, 高电流驱动信号。独立的开源 MOSFET 端子在每个相位均有效, 可支持大量不同种类的控制算法。



### 封装标识与订购信息

器件标识	器件	封装	卷尺寸	卷带宽度	数量
FSB70625	FSB70625	PQFN27A	13"	24 mm	1000 个

**绝对最大额定值****逆变器部分** (单个 MOSFET, 除非另有说明。)

符号	参数	工作条件	额定值	单位
$V_{DSS}$	单个 MOSFET 的漏极 - 源极电压		250	V
$*I_{D25}$	单个 MOSFET 的漏极持续电流	$T_{CB} = 25^{\circ}\text{C}$ (注 1)	6.9	A
$*I_{D80}$	单个 MOSFET 的漏极持续电流	$T_{CB} = 80^{\circ}\text{C}$	5.2	A
$*I_{DP}$	单个 MOSFET 的漏极峰值电流	$T_{CB} = 25^{\circ}\text{C}$ , $PW < 100 \mu\text{s}$	13.9	A
$*P_D$	最大功耗	$T_{CB} = 25^{\circ}\text{C}$ , 单个 MOSFET	81	W

**控制部分** (单个 HVIC, 除非另有说明。)

符号	参数	工作条件	额定值	单位
$V_{DD}$	控制电源电压	施加在 $V_{DD}$ 和 COM 之间	20	V
$V_{BS}$	高端偏压	施加在 $V_B$ 和 $V_S$ 之间	20	V
$V_{IN}$	输入信号电压	施加在 IN 和 COM 之间	$-0.3 \sim V_{DD} + 0.3$	V
$V_{FO}$	故障输出电源电压	施加在 FO 和 COM 之间	$-0.3 \sim V_{DD} + 0.3$	V
$I_{FO}$	故障输出电流	灌电流 FO 引脚	5	mA
$V_{CSC}$	电流感测输入电压	施加在 Csc 和 COM 之间	$-0.3 \sim V_{DD} + 0.3$	V

**整个系统**

符号	参数	工作条件	额定值	单位
$T_J$	工作结温		$-40 \sim 150$	$^{\circ}\text{C}$
$T_{STG}$	存储温度		$-40 \sim 125$	$^{\circ}\text{C}$
$V_{ISO}$	绝缘电压	60 Hz, 正弦波形, 1 分钟, 连接陶瓷基板到引脚	1500	$V_{rms}$

**注:**

- $T_{CB}$  是壳体底部的垫片温度。
- 标记为 "\*" 的为计算值或设计因素。

## 引脚描述

引脚号	引脚名	引脚描述
1	/FO	故障输出
2	$V_{TS}$	以电压形式输出的 HVIC 温度
3	Cfod	用于故障输出持续时间的电容
4	Csc	短路电流感测输入电容（低通滤波器）
5	$V_{DD}$	驱动 IC 和 MOSFET 的电源偏置电压
6	IN_UH	高端 U 相的信号输入
7	IN_VH	高端 V 相的信号输入
8 (8a)	COM	公共电源接地
9	IN_WH	高端 W 相的信号输入
10	IN_UL	低端 U 相的信号输入
11	IN_VL	低端 V 相的信号输入
12	IN_WL	低端 W 相的信号输入
13	Nu	U 相的直流输入负端
14	U	U 相输出
15	Nv	V 相的直流输入负端
16	V	V 相输出
17	W	W 相输出
18	Nw	W 相的直流输入负端
19	$V_{S(W)}$	W 相 MOSFET 驱动的高端偏压接地
20	$P_W$	W 相的直流输入正端
21	$P_V$	V 相的直流输入正端
22	$P_U$	U 相的直流输入正端
23 (23a)	$V_{S(V)}$	V 相 MOSFET 驱动的高端偏压接地
24 (24a)	$V_{S(U)}$	U 相 MOSFET 驱动的高端偏压接地
25	$V_{B(U)}$	U 相 MOSFET 驱动的高端偏压
26	$V_{B(V)}$	V 相 MOSFET 驱动的高端偏压
27	$V_{B(W)}$	W 相 MOSFET 驱动的高端偏压

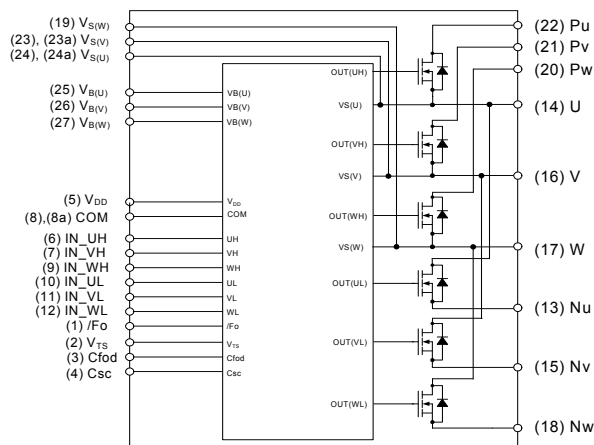


图 1. 引脚布局和内部框图

**注：**

- 每个低端 MOSFET 的源极端子与 Motion SPM® 7 中的电源接地或偏压接地不连接。外部连接应当如图 2 所示。
- 后缀为 -a 的垫片连接到相同数字的引脚，例如：8 和 8a 在内部连接在一起。

**电气特性** ( $T_J = 25^\circ\text{C}$ ,  $V_{DD} = V_{BS} = 15\text{V}$  除非另有说明。)**逆变器部分** (单个 MOSFET, 除非另有说明。)

符号	参数	工作条件	最小值	典型值	最大值	单位
$BV_{DSS}$	漏极-源极击穿电压	$V_{IN} = 0\text{V}$ , $I_D = 1\text{mA}$ (注 1)	250	-	-	V
$I_{DSS}$	零栅极电压漏极电流	$V_{IN} = 0\text{V}$ , $V_{DS} = 250\text{V}$	-	-	1	mA
$R_{DS(on)}$	漏极至源极静态导通电阻	$V_{DD} = V_{BS} = 15\text{V}$ , $V_{IN} = 5\text{V}$ , $I_D = 1.0\text{A}$	-	0.7	0.8	$\Omega$
$V_{SD}$	漏极-源极二极管正向电压	$V_{DD} = V_{BS} = 15\text{V}$ , $V_{IN} = 0\text{V}$ , $I_D = -1.0\text{A}$	-	0.9	1.2	V
$t_{ON}$	开关时间	$V_{PN} = 150\text{V}$ , $V_{DD} = V_{BS} = 15\text{V}$ , $I_D = 1.0\text{A}$ $V_{IN} = 0\text{V} \leftrightarrow 5\text{V}$ , 电感负载 $L = 3\text{mH}$ 低端 MOSFET 开关 (注 2)	-	495	-	ns
$t_{D(ON)}$			-	415	-	ns
$t_{OFF}$			-	370	-	ns
$t_{D(OFF)}$			-	275	-	ns
$I_{rr}$			-	1.8	-	A
$t_{rr}$			-	70	-	ns
$E_{ON}$			-	20	-	$\mu\text{J}$
$E_{OFF}$			-	1.7	-	$\mu\text{J}$

**控制部分** (单个 HVIC, 除非另有说明。)

符号	参数	工作条件	最小值	典型值	最大值	单位	
$I_{QDD}$	$V_{DD}$ 静态电流	$V_{DD}=15\text{V}$ , $V_{IN}=0\text{V}$	$V_{DD} - \text{COM}$	-	1.7	3.0	mA
$I_{QBS}$	$V_{BS}$ 静态电流	$V_{BS}=15\text{V}$ , $V_{IN}=0\text{V}$	$V_{B(X)}-V_{S(X)}$ , $V_{B(V)}-V_{S(V)}$ , $V_{B(W)}-V_{S(W)}$	-	45	70	$\mu\text{A}$
$I_{PDD}$	$V_{DD}$ 工作电流	$V_{DD}=15\text{V}$ , $F_{PWM}=20\text{kHz}$ , $\text{duty}=50\%$ , PWM 信号 低端输入	$V_{DD} - \text{COM}$	-	1.9	3.2	mA
$I_{PBS}$	$V_{BS}$ 工作电流	$V_{BS}=15\text{V}$ , $F_{PWM}=20\text{kHz}$ , $\text{duty}=50\%$ , PWM 信号 高端输入	$V_{B(U)}-V_{S(U)}$ , $V_{B(V)}-V_{S(V)}$ , $V_{B(W)}-V_{S(W)}$	-	300	400	$\mu\text{A}$
$UV_{DD}$	低端欠压保护 (图 6)	$V_{DD}$ 欠压保护检测电平		7.4	8.0	9.4	V
$UV_{DDR}$		$V_{DD}$ 欠压保护复位电平		8.0	8.9	9.8	V
$UV_{BSD}$	高端欠压保护 (图 7)	$V_{BS}$ 欠压保护检测电平		7.4	8.0	9.4	V
$UV_{BSR}$		$V_{BS}$ 欠压保护复位电平		8.0	8.9	9.8	V
$V_{TS}$	HVIC 温度感测电压输出	$V_{DD}=15\text{V}$ , $T_{HVIC}=25^\circ\text{C}$ (注 3)		580	675	770	mV
$V_{IH}$	导通阈值电压	逻辑高电平	IN - COM	-	-	2.4	V
$V_{IL}$	关断阈值电压	逻辑低电平		0.8	-	-	V
$V_{SC(ref)}$	短路电流保护触发电平	$V_{DD}=15\text{V}$	$C_{SC} - \text{COM}$	0.45	0.5	0.55	V
$t_{FOD}$	故障输出脉宽	$C_{FOD}=33\text{nF}$ (注 4)		1.0	1.4	1.8	ms

**注:**

- $BV_{DSS}$  是 Motion SPM® 7 产品中的单个 MOSFET 的漏极和源极端子之间的绝对最大额定电压。考虑到寄生电感,  $V_{PN}$  应远低于该值, 因此  $V_{PN}$  在任何情况下不得超过  $BV_{DSS}$ 。
- $t_{ON}$  和  $t_{OFF}$  包括内部驱动 IC 的传输延迟。所列出的数值是在实验室测试条件下测得, 在实际应用中因为印刷电路板和布线的差异, 数值也会有所不同。请参阅图 3 介绍的开关时间定义, 以及图 4 中的开关测试电路。
- $V_{IS}$  只能用作模块的温度感测, 但不能自动关闭 MOSFETs。
- 故障输出脉宽  $t_{FOD}$  取决于电容  $C_{FOD}$  的值, 可采用下面的近似公式进行计算:  $C_{FOD} = 24 \times 10^{-6} \times t_{FOD} [\text{F}]$

## 推荐工作条件

符号	参数	工作条件	最小值	典型值	最大值	单位
$V_{PN}$	电源电压	施加在 P 和 N 之间	-	150	200	V
$V_{DD}$	控制电源电压	施加在 $V_{DD}$ 和 COM 之间	13.5	15.0	16.5	V
$V_{BS}$	高端偏压	施加在 $V_B$ 和 $V_S$ 之间	13.5	15.0	16.5	V
$dV_{DD}/dt$ , $dV_{BS}/dt$	控制电源波动		-1.0	-	1.0	V/ $\mu$ s
$t_{dead}$	防止桥臂直通的死区时间	$V_{DD} = V_{BS} = 13.5 \sim 16.5$ V, $T_J \leq 150^\circ\text{C}$	500	-	-	ns
$f_{PWM}$	PWM 开关频率	$T_J \leq 150^\circ\text{C}$	-	15	-	kHz

## 热阻

符号	参数	工作条件	最小值	典型值	最大值	单位
$R_{\theta JCB}$	结点—壳体底部的热阻	单个 MOSFET 工作条件下 (注 1)	-	1.2	-	$^\circ\text{C}/\text{W}$

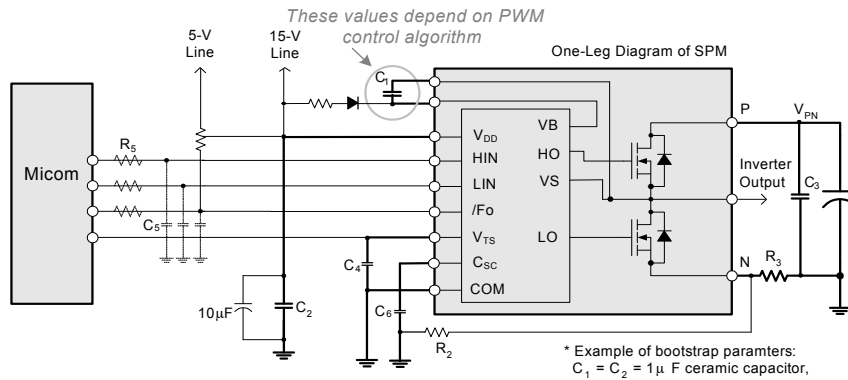


图 2. 推荐的 MCU 接口和自举电路及其参数

## 注:

- $R_{\theta JCB}$  是根据应用电路板布局得出的模拟值。(请参考用户指导手册 SPM7 系列)
- 自举电路的参数取决于 PWM 算法。上述为开关频率为 15 kHz 时的参数的典型例子。
- (虚线显示部分) 每个输入端的 RC 耦合 ( $R_5$  和  $C_5$ )，可用于防止由浪涌噪声产生的错误输入信号。SPM® 的信号输入与标准 COMS 或 LSTTL 的输出兼容。
- 印刷电路板图形中的粗线应尽量短且粗，以减少电路中的寄生电感，从而导致浪涌电压的降低。

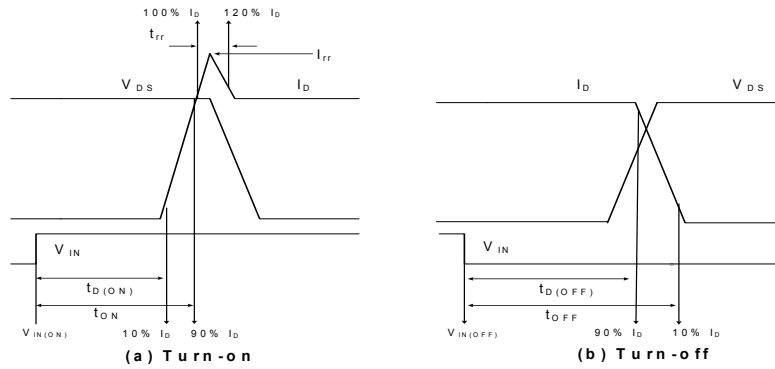


图 3. 开关时间的定义

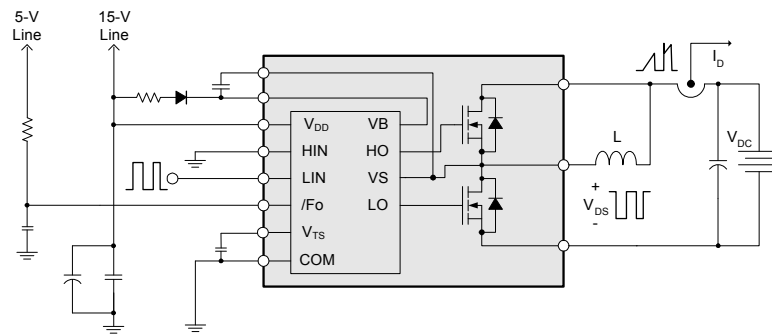


图 4. 开关测试电路（低端）

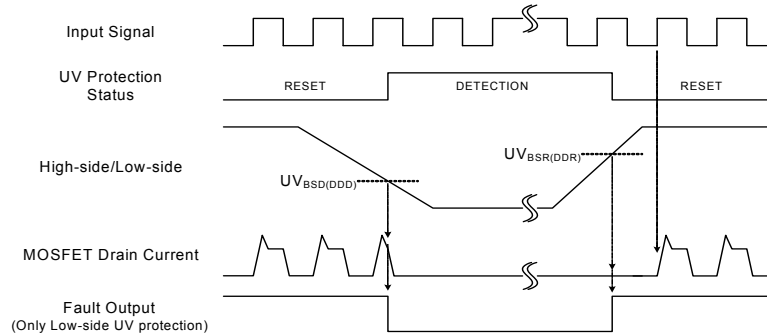


图 5. 欠压保护

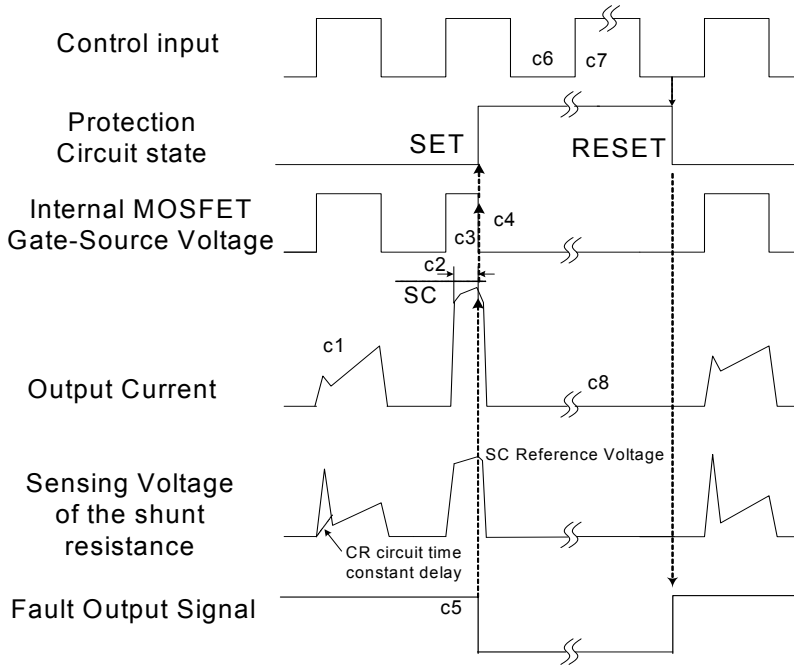


图 6. 短路电流保护

(包含外部分流电阻和 CR 连接)

- c1 : 正常工作: MOSFET 导通并加载电流。
- c2 : 短路电流检测 (SC 触发)。
- c3 : MOSFET 栅极硬中断。
- c4 : MOSFET 关断。
- c5 : 故障输出延时工作启动: 故障持续时间 ( $t_{FOD}$ )。
- c6 : 输入 "L": MOSFET 关断状态。
- c7 : 输入 "H": MOSFET 导通状态, 但是在故障输出有效的时间内, MOSFET 不导通。
- c8 : MOSFET 关断状态。

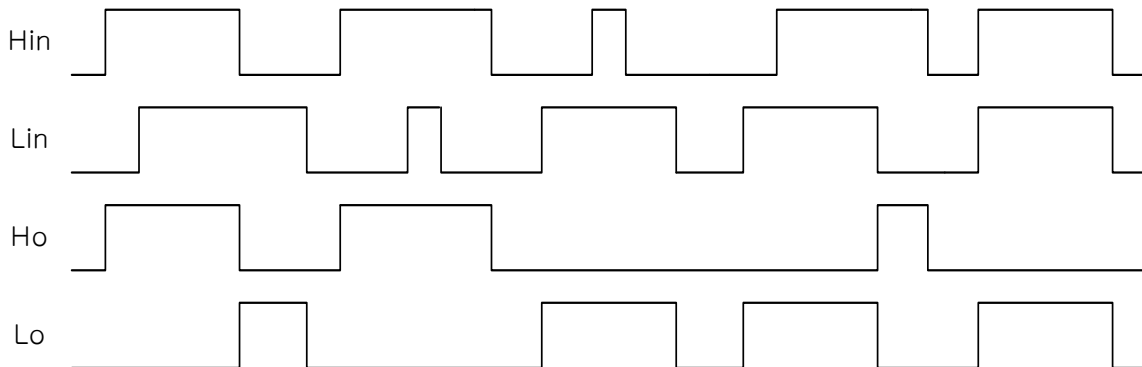


图 7. 互锁功能的时间图



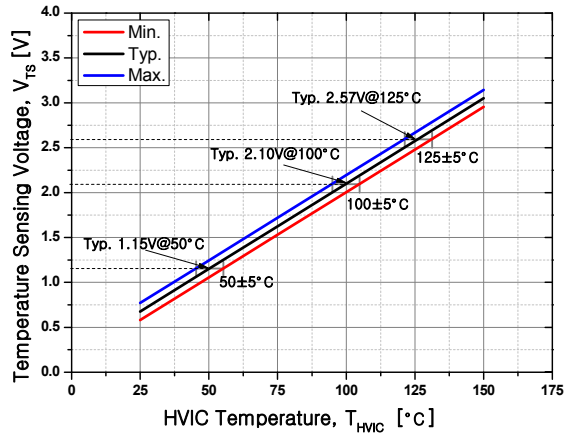


图 8. 温度曲线  $V_{TS}$  vs.  $T_{HVIC}$

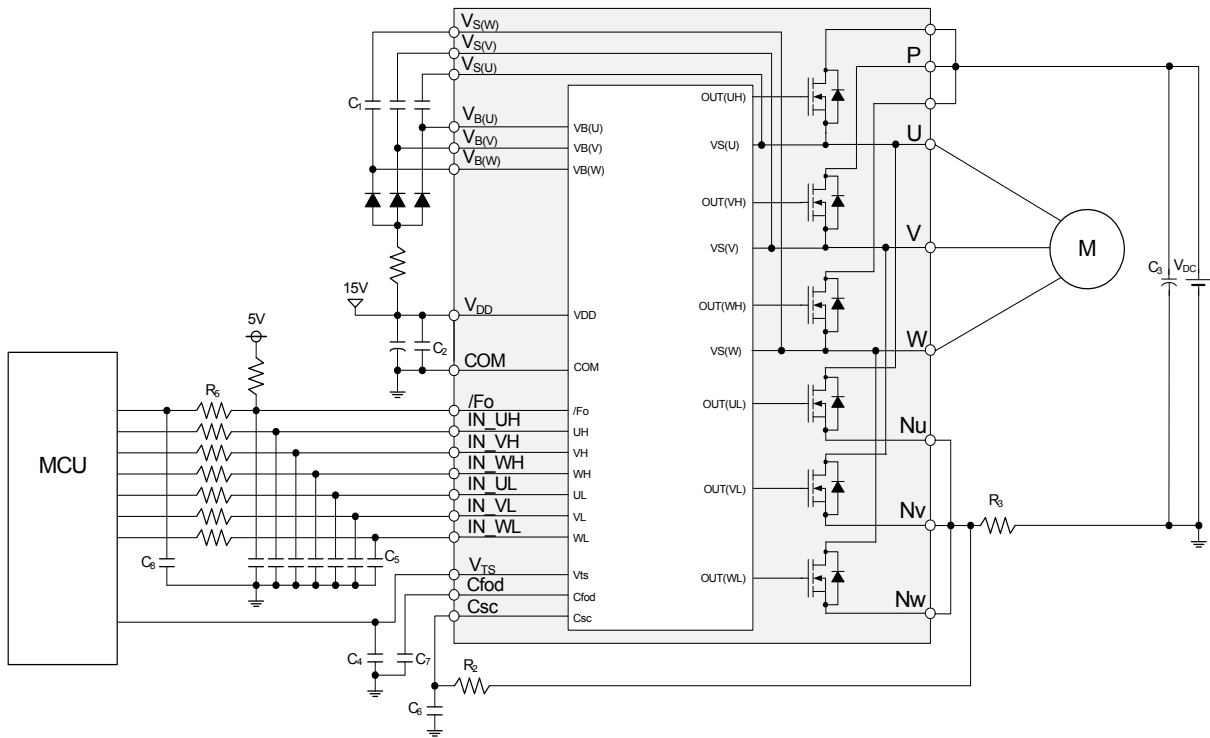
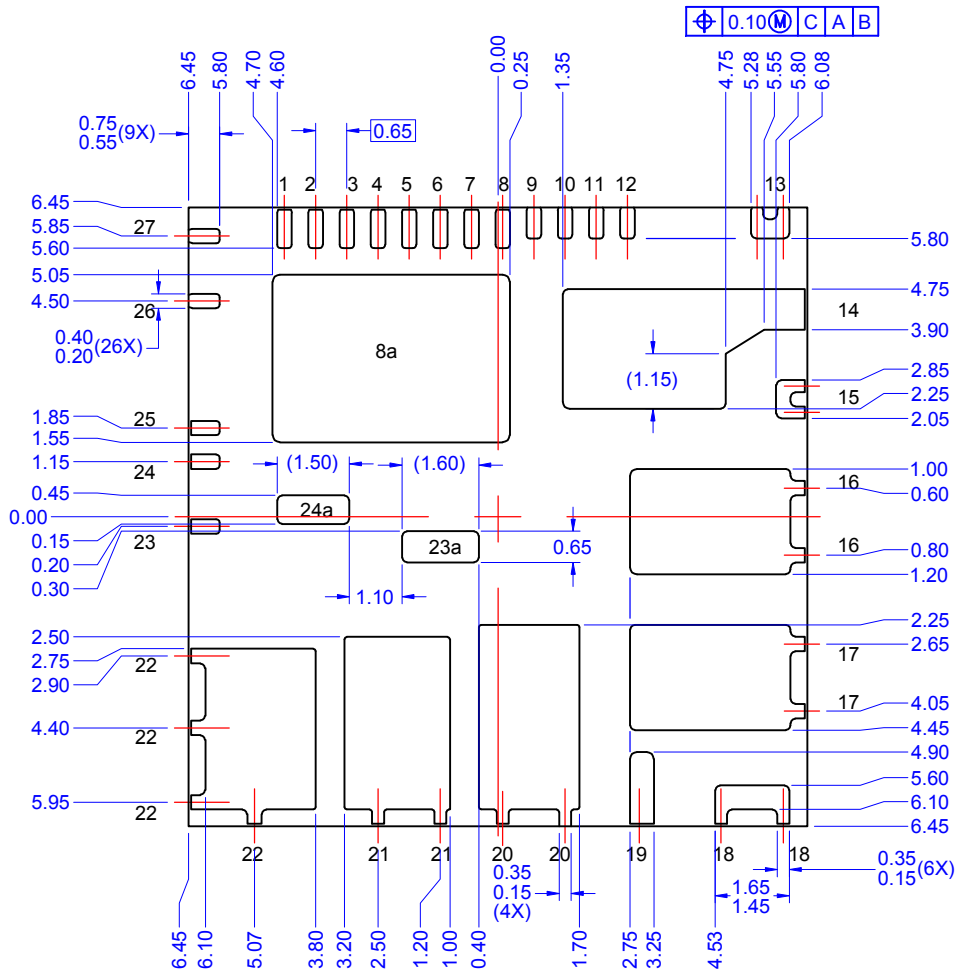


图 9. 应用电路实例

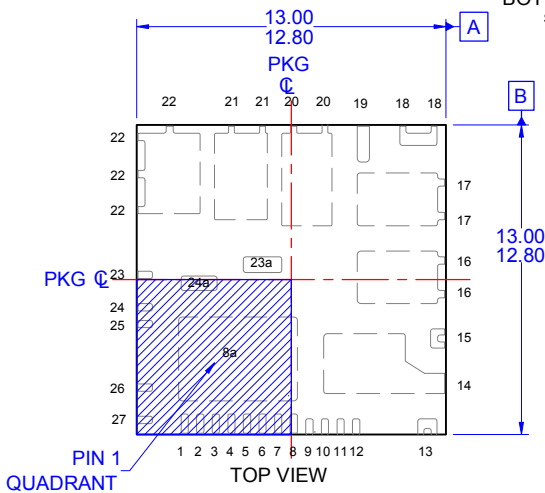
注:

1. Motion SPM® 7 产品和 MCU 的每个输入端的 RC 耦合 (R<sub>5</sub> 和 C<sub>5</sub>, R<sub>2</sub> 和 C<sub>6</sub>) 和 C<sub>1</sub>, C<sub>5</sub>, C<sub>7</sub>, C<sub>8</sub>, 能有效的防止由浪涌噪声产生的错误的输入信号。
2. 为避免浪涌电压和 HVIC 故障, 接地线和输出端子之间的接线应短且粗。
3. 所有的滤波电容器应紧密连接到 Motion SPM 7 产品, 它们应当具有能够很好的阻挡高频纹波电流的特性。

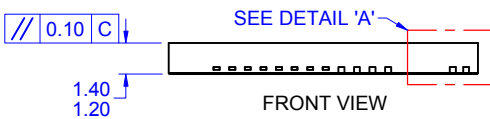


BOTTOM VIEW

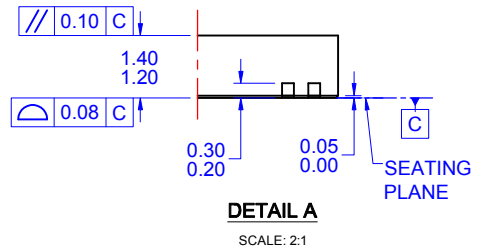
SCALE: 2:1



TOP VIEW

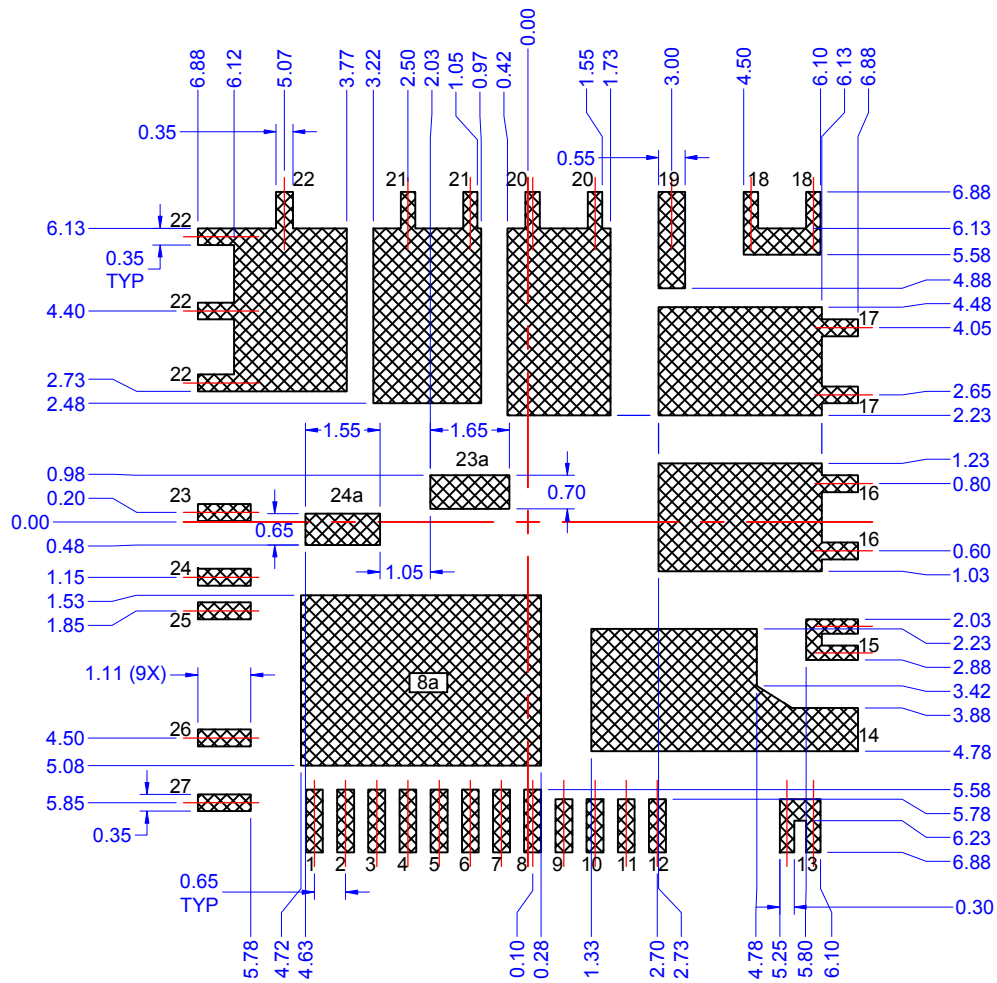


FRONT VIEW



DETAIL A

SCALE: 2:1



LAND PATTERN  
RECOMMENDATION  
SCALE: 2:1

NOTES: UNLESS OTHERWISE SPECIFIED

- A) THIS PACKAGE IS NOT PRESENTLY REGISTERED TO ANY STANDARD COMMITTEE.
- B) DIMENSIONS DO NOT INCLUDE BURRS OR MOLD FLASH. MOLD FLASH OR BURRS DOES NOT EXCEED 0.10MM.
- C) ALL DIMENSIONS ARE IN MILLIMETERS.
- D) DRAWING CONFORMS TO ASME Y14.5M-1994.
- E) LAND PATTERN REFERENCE:  
QFN65P1290X1290X140-40N-40N
- F) DRAWING FILE NAME: MKT-PQFN27AREV3.
- G) IT IS NOT NECESSARY TO SOLDER 23a AND 24a, AND CAN BE OMITTED FROM THE FOOTPRINT
- H) FAIRCHILD SEMICONDUCTOR

ON Semiconductor and  are trademarks of Semiconductor Components Industries, LLC dba ON Semiconductor or its subsidiaries in the United States and/or other countries. ON Semiconductor owns the rights to a number of patents, trademarks, copyrights, trade secrets, and other intellectual property. A listing of ON Semiconductor's product/patent coverage may be accessed at [www.onsemi.com/site/pdf/Patent-Marking.pdf](http://www.onsemi.com/site/pdf/Patent-Marking.pdf). ON Semiconductor reserves the right to make changes without further notice to any products herein. ON Semiconductor makes no warranty, representation or guarantee regarding the suitability of its products for any particular purpose, nor does ON Semiconductor assume any liability arising out of the application or use of any product or circuit, and specifically disclaims any and all liability, including without limitation special, consequential or incidental damages. Buyer is responsible for its products and applications using ON Semiconductor products, including compliance with all laws, regulations and safety requirements or standards, regardless of any support or applications information provided by ON Semiconductor. "Typical" parameters which may be provided in ON Semiconductor data sheets and/or specifications can and do vary in different applications and actual performance may vary over time. All operating parameters, including "Typicals" must be validated for each customer application by customer's technical experts. ON Semiconductor does not convey any license under its patent rights nor the rights of others. ON Semiconductor products are not designed, intended, or authorized for use as a critical component in life support systems or any FDA Class 3 medical devices or medical devices with a same or similar classification in a foreign jurisdiction or any devices intended for implantation in the human body. Should Buyer purchase or use ON Semiconductor products for any such unintended or unauthorized application, Buyer shall indemnify and hold ON Semiconductor and its officers, employees, subsidiaries, affiliates, and distributors harmless against all claims, costs, damages, and expenses, and reasonable attorney fees arising out of, directly or indirectly, any claim of personal injury or death associated with such unintended or unauthorized use, even if such claim alleges that ON Semiconductor was negligent regarding the design or manufacture of the part. ON Semiconductor is an Equal Opportunity/Affirmative Action Employer. This literature is subject to all applicable copyright laws and is not for resale in any manner.

## PUBLICATION ORDERING INFORMATION

### LITERATURE FULFILLMENT:

Literature Distribution Center for ON Semiconductor  
19521 E. 32nd Pkwy, Aurora, Colorado 80011 USA  
**Phone:** 303-675-2175 or 800-344-3860 Toll Free USA/Canada  
**Fax:** 303-675-2176 or 800-344-3867 Toll Free USA/Canada  
**Email:** [orderlit@onsemi.com](mailto:orderlit@onsemi.com)

**N. American Technical Support:** 800-282-9855 Toll Free  
USA/Canada  
**Europe, Middle East and Africa Technical Support:**  
Phone: 421 33 790 2910  
**Japan Customer Focus Center**  
Phone: 81-3-5817-1050

**ON Semiconductor Website:** [www.onsemi.com](http://www.onsemi.com)  
**Order Literature:** <http://www.onsemi.com/orderlit>  
For additional information, please contact your local  
Sales Representative