

ON Semiconductor

Is Now

onsemi™

To learn more about onsemi™, please visit our website at
www.onsemi.com

onsemi and **onsemi** and other names, marks, and brands are registered and/or common law trademarks of Semiconductor Components Industries, LLC dba "**onsemi**" or its affiliates and/or subsidiaries in the United States and/or other countries. **onsemi** owns the rights to a number of patents, trademarks, copyrights, trade secrets, and other intellectual property. A listing of **onsemi** product/patent coverage may be accessed at www.onsemi.com/site/pdf/Patent-Marking.pdf. **onsemi** reserves the right to make changes at any time to any products or information herein, without notice. The information herein is provided "as-is" and **onsemi** makes no warranty, representation or guarantee regarding the accuracy of the information, product features, availability, functionality, or suitability of its products for any particular purpose, nor does **onsemi** assume any liability arising out of the application or use of any product or circuit, and specifically disclaims any and all liability, including without limitation special, consequential or incidental damages. Buyer is responsible for its products and applications using **onsemi** products, including compliance with all laws, regulations and safety requirements or standards, regardless of any support or applications information provided by **onsemi**. "Typical" parameters which may be provided in **onsemi** data sheets and/or specifications can and do vary in different applications and actual performance may vary over time. All operating parameters, including "Typicals" must be validated for each customer application by customer's technical experts. **onsemi** does not convey any license under any of its intellectual property rights nor the rights of others. **onsemi** products are not designed, intended, or authorized for use as a critical component in life support systems or any FDA Class 3 medical devices or medical devices with a same or similar classification in a foreign jurisdiction or any devices intended for implantation in the human body. Should Buyer purchase or use **onsemi** products for any such unintended or unauthorized application, Buyer shall indemnify and hold **onsemi** and its officers, employees, subsidiaries, affiliates, and distributors harmless against all claims, costs, damages, and expenses, and reasonable attorney fees arising out of, directly or indirectly, any claim of personal injury or death associated with such unintended or unauthorized use, even if such claim alleges that **onsemi** was negligent regarding the design or manufacture of the part. **onsemi** is an Equal Opportunity/Affirmative Action Employer. This literature is subject to all applicable copyright laws and is not for resale in any manner. Other names and brands may be claimed as the property of others.

**3.6 W Auxiliary Power Supply for Appliance/White Goods**

ON Semiconductor

Device	Application	Input Voltage	Output Power	Topology	I/O Isolation
NCP1012	Auxiliary supply for Appliance / White Goods	90 to 270 Vac	3.6 W	Flyback	Yes

Other Specifications

	Output 1	Output 2	Output 3	Output 4
Output Voltage	12 Vdc	N/A	N/A	N/A
Ripple	100 mV max	N/A	N/A	N/A
Nominal Current	300 mA	N/A	N/A	N/A
Max Current	300 mA	N/A	N/A	N/A
Min Current	0 A	N/A	N/A	N/A

PFC (Yes/No)	No
Minimum Efficiency	65%
Cooling Method/Supply Orientation	Convection

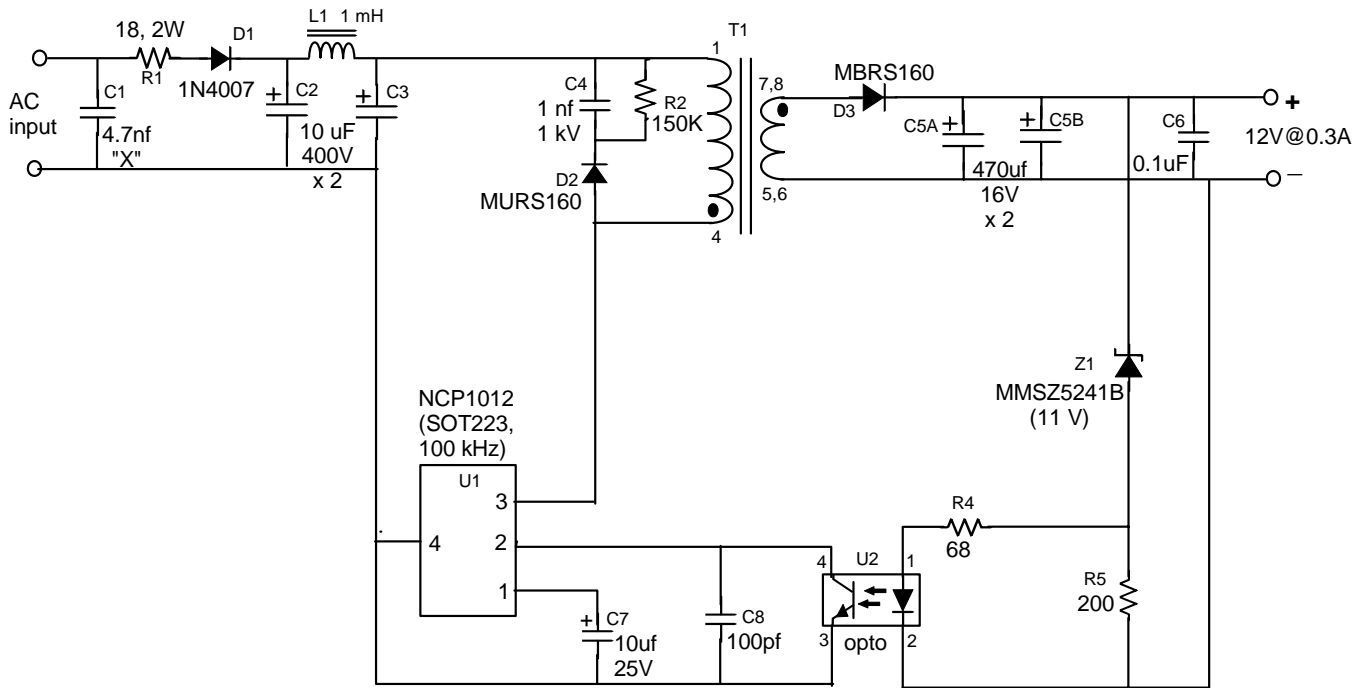
Circuit Description

The universal AC input converter circuit is a simple flyback regulator utilizing the monolithic NCP1012 controller (U1) with internal Mosfet to provide an isolated 12 volts at 300 mA output. Output voltage feedback is achieved via zener diode Z1 and optocoupler U1. Conducted EMI is attenuated by the input filter comprised of C1 and L1. A simple inrush limiter is provided by R1. R2, D2 and C4 is a voltage clipping snubber that limits the peak flyback voltage to pin 3 (Mosfet drain) of U1.

Key Features

- Simple yet effective off-line switcher with very few components.
- EMI filter for conducted EMI compliance.
- Isolated output.
- Protection from overload and open optocoupler.
- Over-temperature protection.
- No auxiliary winding required on transformer for control Vcc.

DN06013/D Schematic



NOTES:

1. Zener D5 and resistor R6 sets the output voltage. $V_{out} = V_z + 0.9$ volts approximately.
2. Crossed lines are not connected.
3. Input is 90 - 265 Vac.
4. R1 is for inrush limiting.
5. U2 opto is Vishay SFH6156A or similar.
6. Pin 4 of U1 should be soldered to clad ground plane for good heatsinking.
7. L1 is Coilcraft RFB0807-102L inductor for conducted EMI compliance.
8. See magnetics drawing for T1 details.
9. C5B is optional for very low output ripple.

NCP1012 Off-Line Power Supply
12 Vout @ 300 mA
ON Semiconductor

DN06013/D

MAGNETICS DESIGN DATA SHEET

Project / Customer: ON Semiconductor - NCP1012 power supply - 3.6W

Part Description: 5 watt flyback transformer, 12 volts out

Schematic ID: T1

Core Type: EF16 (E16/8/5); 3C90 material or similar

Core Gap: Gap for 3.3 to 3.5 mH inductance

Inductance: 3.4 mH nominal

Bobbin Type: 8 pin horizontal mount for EF16

Windings (in order):

Winding # / type

Turns / Material / Gauge / Insulation Data

Primary (1 - 4)

104 turns of #35HN over 2 layers (52 TPL).
Insulate for 3 kV to the next winding.

12V Secondary (5, 6 - 7, 8)

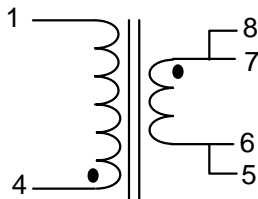
10 turns of #28HN spiral wound over one layer with
0.12" (3mm) end margins and tape cuffed ends.
Triple insulated #28 can be substituted without end
margins.

Vacuum varnish assembly

NOTE: Suggested Vendor: Mesa Power Systems, Escondido, CA. 1-800-515-8514

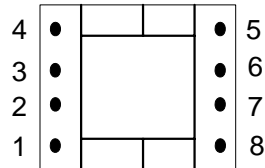
Hipot: 3 kV from boost/primary to secondary

Schematic



Lead Breakout / Pinout

(Bottom View - facing pins)



© 2006 ON Semiconductor.

Disclaimer: ON Semiconductor is providing this design note "AS IS" and does not assume any liability arising from its use; nor does ON Semiconductor convey any license to its or any third party's intellectual property rights. This document is provided only to assist customers in evaluation of the referenced circuit implementation and the recipient assumes all liability and risk associated with its use, including, but not limited to, compliance with all regulatory standards. ON Semiconductor may change any of its products at any time, without notice.

Design note created by Frank Cathell, e-mail: f.cathell@onsemi.com