

# SG3525A

## Pulse Width Modulator Control Circuit

The SG3525A pulse width modulator control circuit offers improved performance and lower external parts count when implemented for controlling all types of switching power supplies. The on-chip +5.1 V reference is trimmed to  $\pm 1\%$  and the error amplifier has an input common-mode voltage range that includes the reference voltage, thus eliminating the need for external divider resistors. A sync input to the oscillator enables multiple units to be slaved or a single unit to be synchronized to an external system clock. A wide range of deadtime can be programmed by a single resistor connected between the  $C_T$  and Discharge pins. This device also features built-in soft-start circuitry, requiring only an external timing capacitor. A shutdown pin controls both the soft-start circuitry and the output stages, providing instantaneous turn off through the PWM latch with pulsed shutdown, as well as soft-start recycle with longer shutdown commands. The under voltage lockout inhibits the outputs and the changing of the soft-start capacitor when  $V_{CC}$  is below nominal. The output stages are totem-pole design capable of sinking and sourcing in excess of 200 mA. The output stage of the SG3525A features NOR logic resulting in a low output for an off-state.

### Features

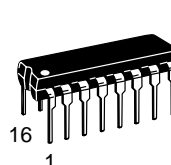
- 8.0 V to 35 V Operation
- 5.1 V  $\pm$  1.0% Trimmed Reference
- 100 Hz to 400 kHz Oscillator Range
- Separate Oscillator Sync Pin
- Adjustable Deadtime Control
- Input Undervoltage Lockout
- Latching PWM to Prevent Multiple Pulses
- Pulse-by-Pulse Shutdown
- Dual Source/Sink Outputs:  $\pm$  400 mA Peak
- Pb-Free Packages are Available\*



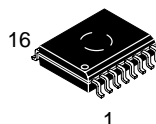
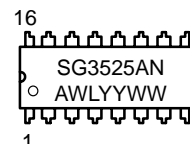
ON Semiconductor®

<http://onsemi.com>

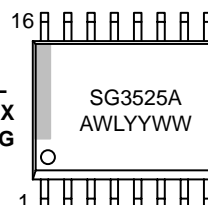
### MARKING DIAGRAMS



PDIP-16  
N SUFFIX  
CASE 648

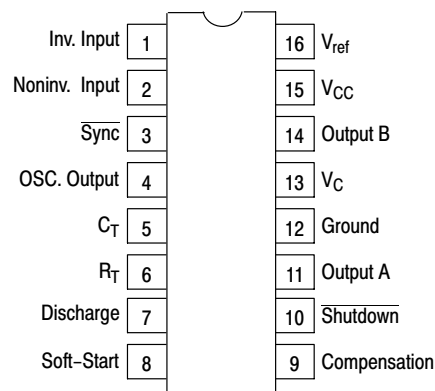


SOIC-16  
DW SUFFIX  
CASE 751G



A = Assembly Location  
WL = Wafer Lot  
YY = Year  
WW = Work Week

### PIN CONNECTIONS



(Top View)

### ORDERING INFORMATION

See detailed ordering and shipping information in the package dimensions section on page 2 of this data sheet.

\*For additional information on our Pb-Free strategy and soldering details, please download the ON Semiconductor Soldering and Mounting Techniques Reference Manual, SOLDERRM/D.

# SG3525A

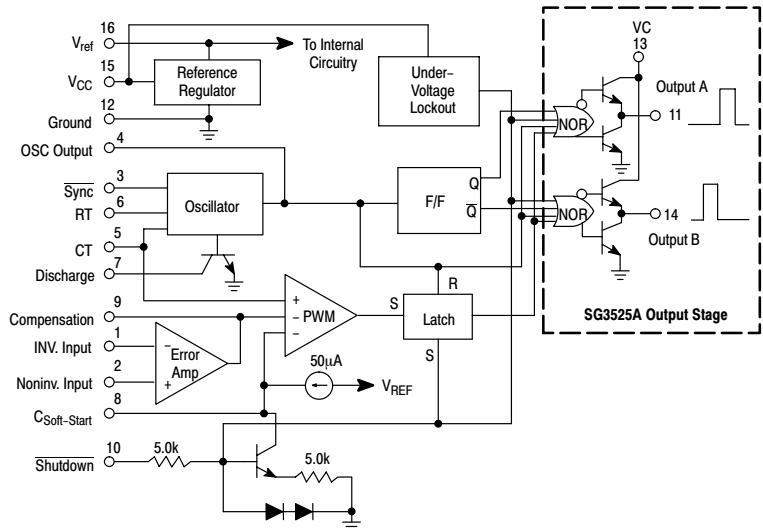


Figure 1. Representative Block Diagram

## ORDERING INFORMATION

| Device       | Package            | Shipping†        |
|--------------|--------------------|------------------|
| SG3525AN     | PDIP-16            | 25 Units / Rail  |
| SG3525ANG    | PDIP-16 (Pb-Free)  | 25 Units / Rail  |
| SG3525ADW    | SOIC-16L           | 47 Units / Rail  |
| SG3525ADWG   | SOIC-16L (Pb-Free) | 47 Units / Rail  |
| SG3525ADWR2  | SOIC-16L           | 1000 Tape & Reel |
| SG3525ADWR2G | SOIC-16L (Pb-Free) | 1000 Tape & Reel |

†For information on tape and reel specifications, including part orientation and tape sizes, please refer to our Tape and Reel Packaging Specifications Brochure, BRD8011/D.

## MAXIMUM RATINGS

| Rating  | Symbol          | Value            | Unit                      |
|---|-----------------|------------------|---------------------------|
| Supply Voltage  | $V_{CC}$        | +40              | Vdc                       |
| Collector Supply Voltage  | $V_C$           | +40              | Vdc                       |
| Logic Inputs  |                 | -0.3 to +5.5     | V                         |
| Analog Inputs   |                 | -0.3 to $V_{CC}$ | V                         |
| Output Current, Source or Sink  | $I_O$           | ±500             | mA                        |
| Reference Output Current  | $I_{ref}$       | 50               | mA                        |
| Oscillator Charging Current   |                 | 5.0              | mA                        |
| Power Dissipation<br>$T_A = +25^\circ\text{C}$ (Note 1)<br>$T_C = +25^\circ\text{C}$ (Note 2) | $P_D$           | 1000<br>2000     | mW                        |
| Thermal Resistance, Junction-to-Air   | $R_{\theta JA}$ | 100              | $^\circ\text{C}/\text{W}$ |
| Thermal Resistance, Junction-to-Case  | $R_{\theta JC}$ | 60               | $^\circ\text{C}/\text{W}$ |
| Operating Junction Temperature  | $T_J$           | +150             | $^\circ\text{C}$          |
| Storage Temperature Range   | $T_{stg}$       | -55 to +125      | $^\circ\text{C}$          |
| Lead Temperature (Soldering, 10 seconds)  | $T_{Solder}$    | +300             | $^\circ\text{C}$          |

Maximum ratings are those values beyond which device damage can occur. Maximum ratings applied to the device are individual stress limit values (not normal operating conditions) and are not valid simultaneously. If these limits are exceeded, device functional operation is not implied, damage may occur and reliability may be affected.

1. Derate at 10 mW/ $^\circ\text{C}$  for ambient temperatures above +50 $^\circ\text{C}$ .
2. Derate at 16 mW/ $^\circ\text{C}$  for case temperatures above +25 $^\circ\text{C}$ .

## RECOMMENDED OPERATING CONDITIONS

| Characteristics  | Symbol    | Min    | Max          | Unit             |
|--|-----------|--------|--------------|------------------|
| Supply Voltage   | $V_{CC}$  | 8.0    | 35           | Vdc              |
| Collector Supply Voltage                               | $V_C$     | 4.5    | 35           | Vdc              |
| Output Sink/Source Current<br>(Steady State)<br>(Peak) | $I_O$     | 0<br>0 | ±100<br>±400 | mA               |
| Reference Load Current                                 | $I_{ref}$ | 0      | 20           | mA               |
| Oscillator Frequency Range                             | $f_{osc}$ | 0.1    | 400          | kHz              |
| Oscillator Timing Resistor                             | $R_T$     | 2.0    | 150          | k $\Omega$       |
| Oscillator Timing Capacitor                            | $C_T$     | 0.001  | 0.2          | $\mu\text{F}$    |
| Deadtime Resistor Range                                | $R_D$     | 0      | 500          | $\Omega$         |
| Operating Ambient Temperature Range                    | $T_A$     | 0      | +70          | $^\circ\text{C}$ |

## APPLICATION INFORMATION

**Shutdown Options** (See Block Diagram, page 2)

Since both the compensation and soft-start terminals (Pins 9 and 8) have current source pull-ups, either can readily accept a pull-down signal which only has to sink a maximum of 100  $\mu\text{A}$  to turn off the outputs. This is subject to the added requirement of discharging whatever external capacitance may be attached to these pins.

An alternate approach is the use of the shutdown circuitry of Pin 10 which has been improved to enhance the available shutdown options. Activating this circuit by applying a positive signal on Pin 10 performs two functions: the PWM

latch is immediately set providing the fastest turn-off signal to the outputs; and a 150  $\mu\text{A}$  current sink begins to discharge the external soft-start capacitor. If the shutdown command is short, the PWM signal is terminated without significant discharge of the soft-start capacitor, thus, allowing, for example, a convenient implementation of pulse-by-pulse current limiting. Holding Pin 10 high for a longer duration, however, will ultimately discharge this external capacitor, recycling slow turn-on upon release.

Pin 10 should not be left floating as noise pickup could conceivably interrupt normal operation.

# SG3525A

## ELECTRICAL CHARACTERISTICS ( $V_{CC} = +20$ Vdc, $T_A = T_{low}$ to $T_{high}$ [Note 3], unless otherwise noted.)

| Characteristics   | Symbol                    | Min  | Typ  | Max  | Unit                |
|---|---------------------------|------|------|------|---------------------|
| <b>REFERENCE SECTION</b>  |                           |      |      |      |                     |
| Reference Output Voltage ( $T_J = +25^\circ\text{C}$ )  | $V_{ref}$                 | 5.00 | 5.10 | 5.20 | Vdc                 |
| Line Regulation ( $+8.0\text{ V} \leq V_{CC} \leq +35\text{ V}$ )                             | $Reg_{line}$              | –    | 10   | 20   | mV                  |
| Load Regulation ( $0\text{ mA} \leq I_L \leq 20\text{ mA}$ )                                  | $Reg_{load}$              | –    | 20   | 50   | mV                  |
| Temperature Stability   | $\Delta V_{ref}/\Delta T$ | –    | 20   | –    | mV                  |
| Total Output Variation Includes Line and Load Regulation over Temperature                     | $\Delta V_{ref}$          | 4.95 | –    | 5.25 | Vdc                 |
| Short Circuit Current ( $V_{ref} = 0\text{ V}$ , $T_J = +25^\circ\text{C}$ )                  | $I_{SC}$                  | –    | 80   | 100  | mA                  |
| Output Noise Voltage ( $10\text{ Hz} \leq f \leq 10\text{ kHz}$ , $T_J = +25^\circ\text{C}$ ) | $V_n$                     | –    | 40   | 200  | $\mu\text{V}_{rms}$ |
| Long Term Stability ( $T_J = +125^\circ\text{C}$ ) (Note 4)                                   | S                         | –    | 20   | 50   | mV/khr              |

## OSCILLATOR SECTION (Note 5, unless otherwise noted.)

|   |                                  |     |           |           |               |
|---|----------------------------------|-----|-----------|-----------|---------------|
| Initial Accuracy ( $T_J = +25^\circ\text{C}$ )  |                                  | –   | $\pm 2.0$ | $\pm 6.0$ | %             |
| Frequency Stability with Voltage<br>( $+8.0\text{ V} \leq V_{CC} \leq +35\text{ V}$ ) | $\frac{\Delta f_{osc}}{DV_{CC}}$ | –   | $\pm 1.0$ | $\pm 2.0$ | %             |
| Frequency Stability with Temperature  | $\frac{\Delta f_{osc}}{DT}$      | –   | $\pm 0.3$ | –         | %             |
| Minimum Frequency ( $R_T = 150\text{ k}\Omega$ , $C_T = 0.2\text{ }\mu\text{F}$ )     | $f_{min}$                        | –   | 50        | –         | Hz            |
| Maximum Frequency ( $R_T = 2.0\text{ k}\Omega$ , $C_T = 1.0\text{ nF}$ )              | $f_{max}$                        | 400 | –         | –         | kHz           |
| Current Mirror ( $I_{RT} = 2.0\text{ mA}$ )   |                                  | 1.7 | 2.0       | 2.2       | mA            |
| Clock Amplitude   |                                  | 3.0 | 3.5       | –         | V             |
| Clock Width ( $T_J = +25^\circ\text{C}$ )   |                                  | 0.3 | 0.5       | 1.0       | $\mu\text{s}$ |
| Sync Threshold  |                                  | 1.2 | 2.0       | 2.8       | V             |
| Sync Input Current (Sync Voltage = $+3.5\text{ V}$ )                                  |                                  | –   | 1.0       | 2.5       | mA            |

## ERROR AMPLIFIER SECTION ( $V_{CM} = +5.1\text{ V}$ )

|  |           |     |     |     |               |
|--|-----------|-----|-----|-----|---------------|
| Input Offset Voltage   | $V_{IO}$  | –   | 2.0 | 10  | mV            |
| Input Bias Current   | $I_{IB}$  | –   | 1.0 | 10  | $\mu\text{A}$ |
| Input Offset Current   | $I_{IO}$  | –   | –   | 1.0 | $\mu\text{A}$ |
| DC Open Loop Gain ( $R_L \geq 10\text{ M}\Omega$ )                             | $A_{VOL}$ | 60  | 75  | –   | dB            |
| Low Level Output Voltage   | $V_{OL}$  | –   | 0.2 | 0.5 | V             |
| High Level Output Voltage  | $V_{OH}$  | 3.8 | 5.6 | –   | V             |
| Common Mode Rejection Ratio ( $+1.5\text{ V} \leq V_{CM} \leq +5.2\text{ V}$ ) | CMRR      | 60  | 75  | –   | dB            |
| Power Supply Rejection Ratio ( $+8.0\text{ V} \leq V_{CC} \leq +35\text{ V}$ ) | PSRR      | 50  | 60  | –   | dB            |

## PWM COMPARATOR SECTION

|  |            |     |      |     |               |
|--|------------|-----|------|-----|---------------|
| Minimum Duty Cycle                           | $DC_{min}$ | –   | –    | 0   | %             |
| Maximum Duty Cycle                           | $DC_{max}$ | 45  | 49   | –   | %             |
| Input Threshold, Zero Duty Cycle (Note 5)    | $V_{th}$   | 0.6 | 0.9  | –   | V             |
| Input Threshold, Maximum Duty Cycle (Note 5) | $V_{th}$   | –   | 3.3  | 3.6 | V             |
| Input Bias Current                           | $I_{IB}$   | –   | 0.05 | 1.0 | $\mu\text{A}$ |

3.  $T_{low} = 0^\circ$        $T_{high} = +70^\circ\text{C}$

4. Since long term stability cannot be measured on each device before shipment, this specification is an engineering estimate of average stability from lot to lot.

5. Tested at  $f_{osc} = 40\text{ kHz}$  ( $R_T = 3.6\text{ k}\Omega$ ,  $C_T = 0.01\text{ }\mu\text{F}$ ,  $R_D = 0\text{ }\Omega$ ).

ELECTRICAL CHARACTERISTICS (continued)

| Characteristics   | Symbol               | Min      | Typ        | Max        | Unit          |
|---|----------------------|----------|------------|------------|---------------|
| <b>SOFT-START SECTION</b>   |                      |          |            |            |               |
| Soft-Start Current ( $V_{\text{shutdown}} = 0 \text{ V}$ )  |                      | 25       | 50         | 80         | $\mu\text{A}$ |
| Soft-Start Voltage ( $V_{\text{shutdown}} = 2.0 \text{ V}$ )  |                      | –        | 0.4        | 0.6        | V             |
| Shutdown Input Current ( $V_{\text{shutdown}} = 2.5 \text{ V}$ )  |                      | –        | 0.4        | 1.0        | $\text{mA}$   |
| <b>OUTPUT DRIVERS (Each Output, <math>V_{\text{CC}} = +20 \text{ V}</math>)</b>                               |                      |          |            |            |               |
| Output Low Level<br>( $I_{\text{sink}} = 20 \text{ mA}$ )<br>( $I_{\text{sink}} = 100 \text{ mA}$ )           | $V_{\text{OL}}$      | –<br>–   | 0.2<br>1.0 | 0.4<br>2.0 | V             |
| Output High Level<br>( $I_{\text{source}} = 20 \text{ mA}$ )<br>( $I_{\text{source}} = 100 \text{ mA}$ )      | $V_{\text{OH}}$      | 18<br>17 | 19<br>18   | –<br>–     | V             |
| Under Voltage Lockout ( $V_8$ and $V_9 = \text{High}$ )   | $V_{\text{UL}}$      | 6.0      | 7.0        | 8.0        | V             |
| Collector Leakage, $V_{\text{C}} = +35 \text{ V}$ (Note 6)  | $I_{\text{C(leak)}}$ | –        | –          | 200        | $\mu\text{A}$ |
| Rise Time ( $C_{\text{L}} = 1.0 \text{ nF}$ , $T_{\text{J}} = 25^\circ\text{C}$ )                             | $t_{\text{r}}$       | –        | 100        | 600        | ns            |
| Fall Time ( $C_{\text{L}} = 1.0 \text{ nF}$ , $T_{\text{J}} = 25^\circ\text{C}$ )                             | $t_{\text{f}}$       | –        | 50         | 300        | ns            |
| Shutdown Delay ( $V_{\text{DS}} = +3.0 \text{ V}$ , $C_{\text{S}} = 0$ , $T_{\text{J}} = +25^\circ\text{C}$ ) | $t_{\text{ds}}$      | –        | 0.2        | 0.5        | $\mu\text{s}$ |
| Supply Current ( $V_{\text{CC}} = +35 \text{ V}$ )  | $I_{\text{CC}}$      | –        | 14         | 20         | $\text{mA}$   |

6. Applies to SG3525A only, due to polarity of output pulses.

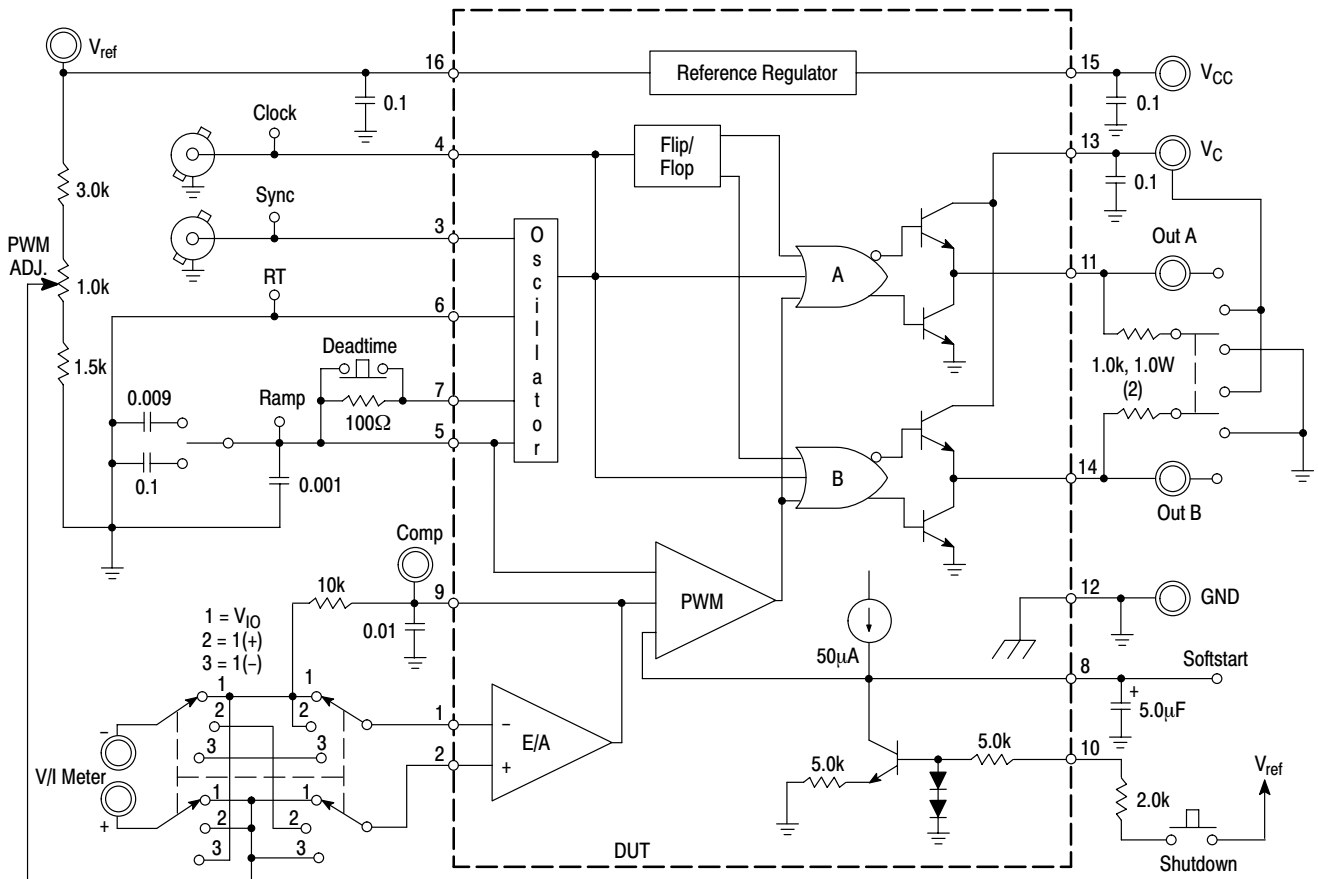


Figure 2. Lab Test Fixture

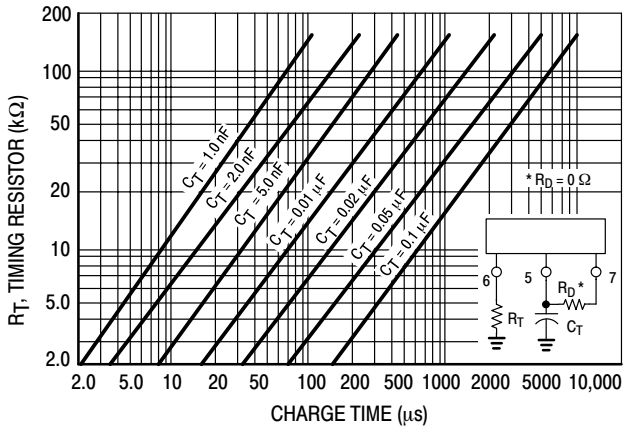


Figure 3. Oscillator Charge Time versus  $R_T$

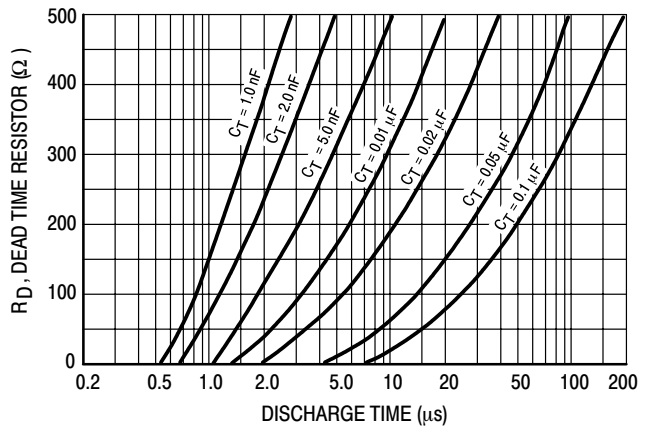


Figure 4. Oscillator Discharge Time versus  $R_D$

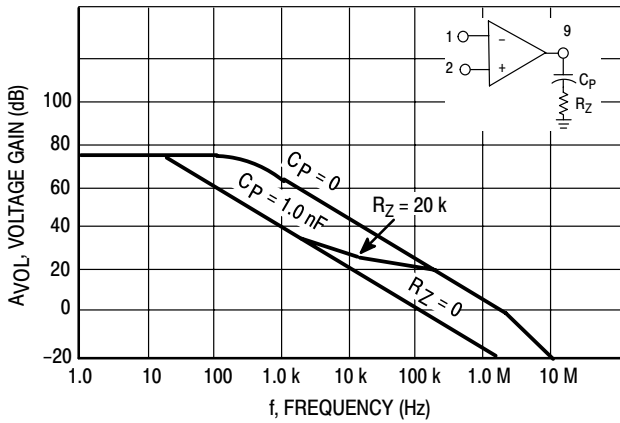


Figure 5. Error Amplifier Open Loop Frequency Response

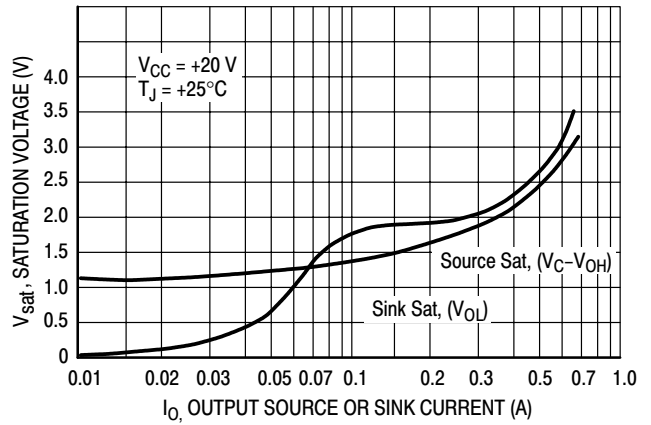


Figure 6. Output Saturation Characteristics

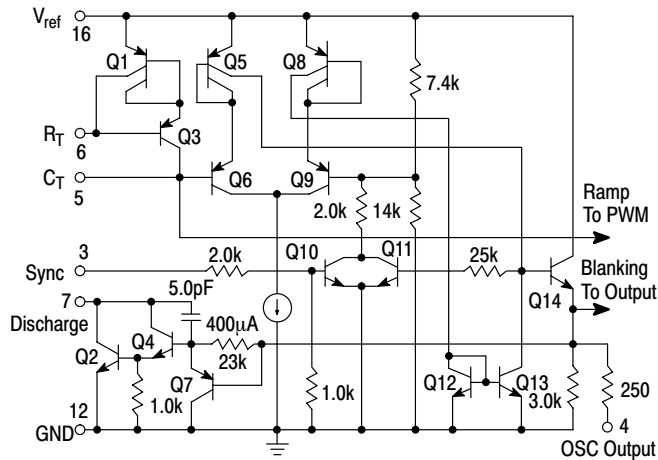


Figure 7. Oscillator Schematic

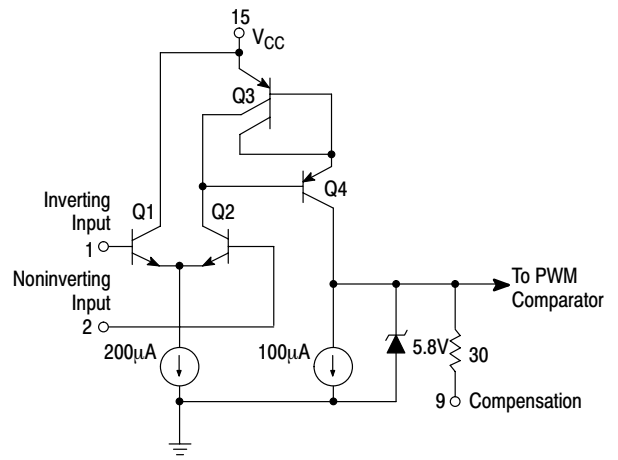
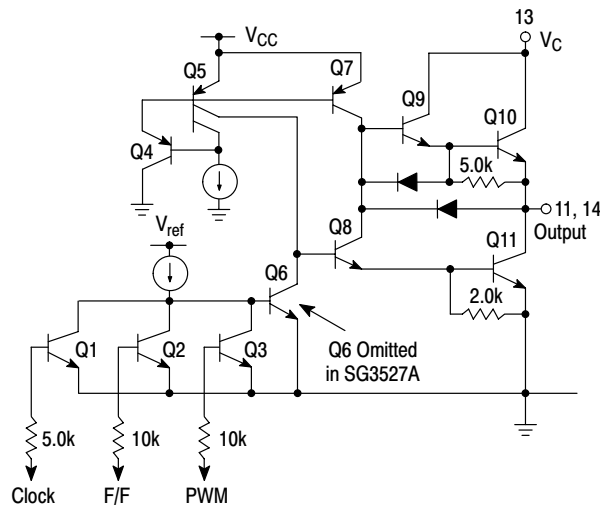
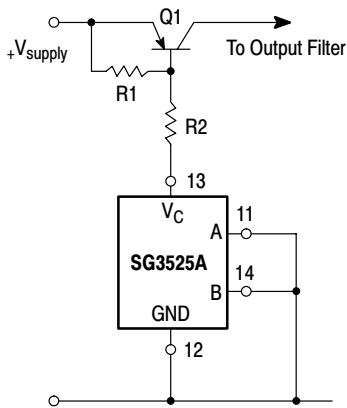


Figure 8. Error Amplifier Schematic

# SG3525A

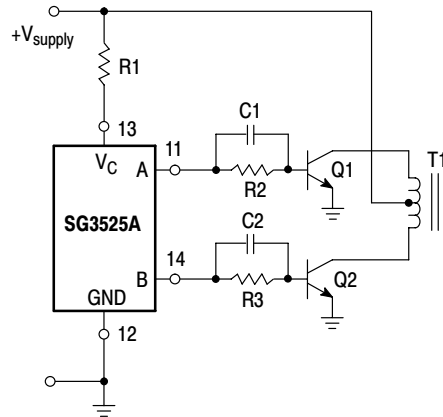


**Figure 9. Output Circuit**  
(1/2 Circuit Shown)



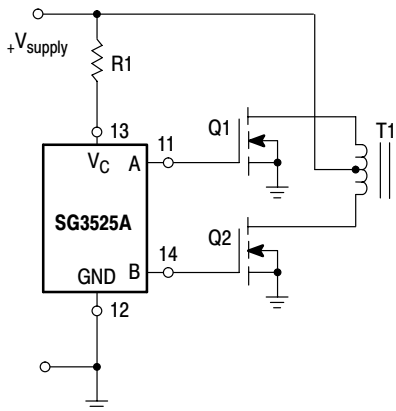
For single-ended supplies, the driver outputs are grounded. The  $V_C$  terminal is switched to ground by the totem-pole source transistors on alternate oscillator cycles.

**Figure 10. Single-Ended Supply**



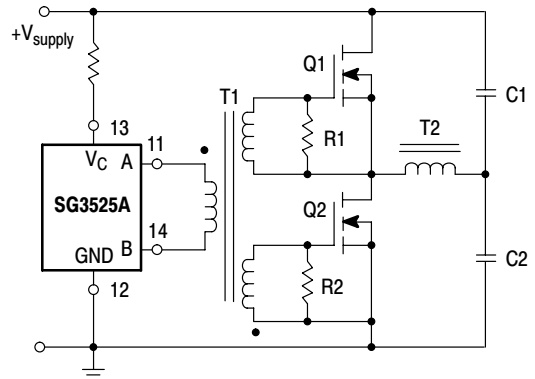
In conventional push-pull bipolar designs, forward base drive is controlled by R1-R3. Rapid turn-off times for the power devices are achieved with speed-up capacitors C1 and C2.

**Figure 11. Push-Pull Configuration**



The low source impedance of the output drivers provides rapid charging of power FET input capacitance while minimizing external components.

**Figure 12. Driving Power FETS**



Low power transformers can be driven directly by the SG3525A. Automatic reset occurs during deadtime, when both ends of the primary winding are switched to ground.

**Figure 13. Driving Transformers in a Half-Bridge Configuration**

# MECHANICAL CASE OUTLINE

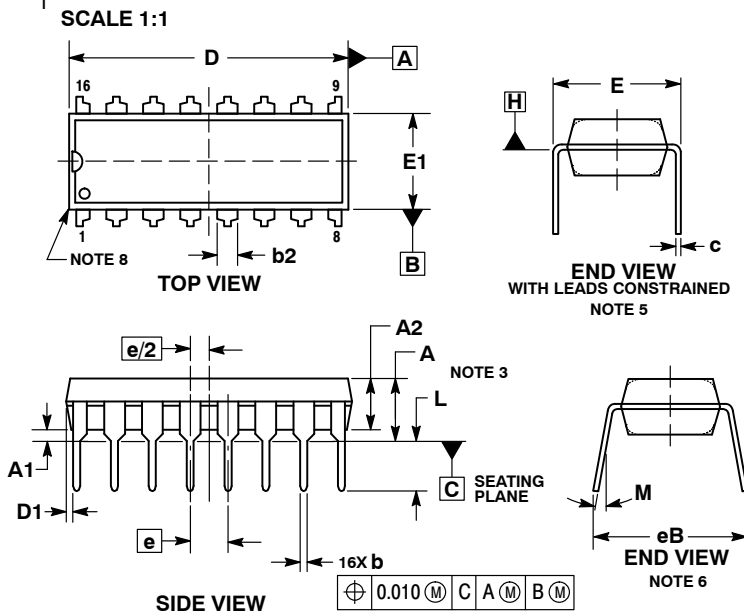
## PACKAGE DIMENSIONS

ON Semiconductor®



### PDIP-16 CASE 648-08 ISSUE V

DATE 22 APR 2015

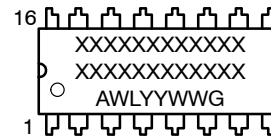


NOTES:

1. DIMENSIONING AND TOLERANCING PER ASME Y14.5M, 1994.
2. CONTROLLING DIMENSION: INCHES.
3. DIMENSIONS A, A1 AND L ARE MEASURED WITH THE PACKAGE SEATED IN JEDEC SEATING PLANE GAUGE GS-3.
4. DIMENSIONS D, D1 AND E1 DO NOT INCLUDE MOLD FLASH OR PROTRUSIONS. MOLD FLASH OR PROTRUSIONS ARE NOT TO EXCEED 0.10 INCH.
5. DIMENSION E IS MEASURED AT A POINT 0.015 BELOW DATUM PLANE H WITH THE LEADS CONSTRAINED PERPENDICULAR TO DATUM C.
6. DIMENSION eB IS MEASURED AT THE LEAD TIPS WITH THE LEADS UNCONSTRAINED.
7. DATUM PLANE H IS COINCIDENT WITH THE BOTTOM OF THE LEADS, WHERE THE LEADS EXIT THE BODY.
8. PACKAGE CONTOUR IS OPTIONAL (ROUNDED OR SQUARE CORNERS).

| DIM | INCHES             |       | MILLIMETERS |       |
|-----|--------------------|-------|-------------|-------|
|     | MIN                | MAX   | MIN         | MAX   |
| A   | ---                | 0.210 | ---         | 5.33  |
| A1  | 0.015              | ---   | 0.38        | ---   |
| A2  | 0.115              | 0.195 | 2.92        | 4.95  |
| b   | 0.014              | 0.022 | 0.35        | 0.56  |
| b2  | 0.060 TYP          |       | 1.52 TYP    |       |
| C   | 0.008              | 0.014 | 0.20        | 0.36  |
| D   | 0.735              | 0.775 | 18.67       | 19.69 |
| D1  | 0.005              | ---   | 0.13        | ---   |
| E   | 0.300              | 0.325 | 7.62        | 8.26  |
| E1  | 0.240              | 0.280 | 6.10        | 7.11  |
| e   | 0.100 BSC 2.54 BSC |       |             |       |
| eB  | ---                | 0.430 | ---         | 10.92 |
| L   | 0.115              | 0.150 | 2.92        | 3.81  |
| M   | ---                | 10°   | ---         | 10°   |

### GENERIC MARKING DIAGRAM\*



- XXXXX = Specific Device Code
- A = Assembly Location
- WL = Wafer Lot
- YY = Year
- WW = Work Week
- G = Pb-Free Package

\*This information is generic. Please refer to device data sheet for actual part marking. Pb-Free indicator, "G" or microdot "▪", may or may not be present.

- |                |                     |
|----------------|---------------------|
| STYLE 1:       | STYLE 2:            |
| PIN 1. CATHODE | PIN 1. COMMON DRAIN |
| 2. CATHODE     | 2. COMMON DRAIN     |
| 3. CATHODE     | 3. COMMON DRAIN     |
| 4. CATHODE     | 4. COMMON DRAIN     |
| 5. CATHODE     | 5. COMMON DRAIN     |
| 6. CATHODE     | 6. COMMON DRAIN     |
| 7. CATHODE     | 7. COMMON DRAIN     |
| 8. CATHODE     | 8. COMMON DRAIN     |
| 9. ANODE       | 9. GATE             |
| 10. ANODE      | 10. SOURCE          |
| 11. ANODE      | 11. GATE            |
| 12. ANODE      | 12. SOURCE          |
| 13. ANODE      | 13. GATE            |
| 14. ANODE      | 14. SOURCE          |
| 15. ANODE      | 15. GATE            |
| 16. ANODE      | 16. SOURCE          |

|                         |                    |  |
|-------------------------|--------------------|--|
| <b>DOCUMENT NUMBER:</b> | <b>98ASB42431B</b> | Electronic versions are uncontrolled except when accessed directly from the Document Repository. Printed versions are uncontrolled except when stamped "CONTROLLED COPY" in red. |
| <b>DESCRIPTION:</b>     | <b>PDIP-16</b>     | <b>PAGE 1 OF 1</b>   |

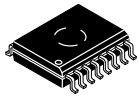
ON Semiconductor and ON are trademarks of Semiconductor Components Industries, LLC dba ON Semiconductor or its subsidiaries in the United States and/or other countries. ON Semiconductor reserves the right to make changes without further notice to any products herein. ON Semiconductor makes no warranty, representation or guarantee regarding the suitability of its products for any particular purpose, nor does ON Semiconductor assume any liability arising out of the application or use of any product or circuit, and specifically disclaims any and all liability, including without limitation special, consequential or incidental damages. ON Semiconductor does not convey any license under its patent rights nor the rights of others.



# MECHANICAL CASE OUTLINE

## PACKAGE DIMENSIONS

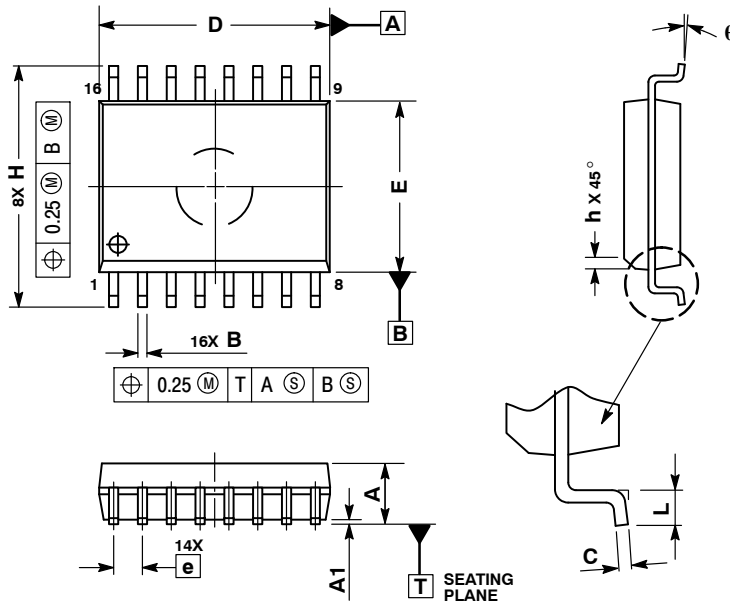
ON Semiconductor®



1  
SCALE 1:1

SOIC-16 WB  
CASE 751G-03  
ISSUE D

DATE 12 FEB 2013

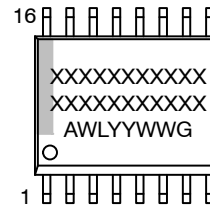


NOTES:

1. DIMENSIONS ARE IN MILLIMETERS.
2. INTERPRET DIMENSIONS AND TOLERANCES PER ASME Y14.5M, 1994.
3. DIMENSIONS D AND E DO NOT INCLUDE MOLD PROTRUSION.
4. MAXIMUM MOLD PROTRUSION 0.15 PER SIDE.
5. DIMENSION B DOES NOT INCLUDE DAMBAR PROTRUSION. ALLOWABLE DAMBAR PROTRUSION SHALL BE 0.13 TOTAL IN EXCESS OF THE B DIMENSION AT MAXIMUM MATERIAL CONDITION.

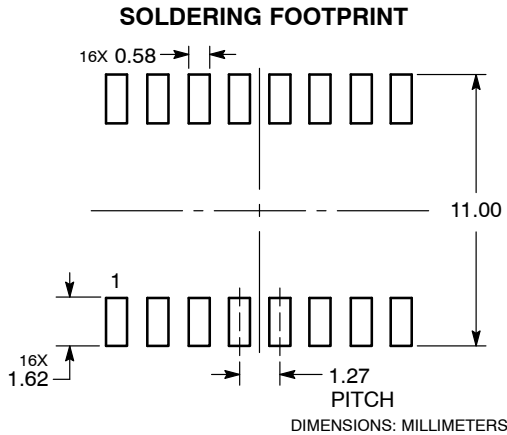
| MILLIMETERS |          |       |
|-------------|----------|-------|
| DIM         | MIN      | MAX   |
| A           | 2.35     | 2.65  |
| A1          | 0.10     | 0.25  |
| B           | 0.35     | 0.49  |
| C           | 0.23     | 0.32  |
| D           | 10.15    | 10.45 |
| E           | 7.40     | 7.60  |
| e           | 1.27 BSC |       |
| H           | 10.05    | 10.55 |
| h           | 0.25     | 0.75  |
| L           | 0.50     | 0.90  |
| q           | 0°       | 7°    |

GENERIC MARKING DIAGRAM\*



- XXXXX = Specific Device Code
- A = Assembly Location
- WL = Wafer Lot
- YY = Year
- WW = Work Week
- G = Pb-Free Package

\*This information is generic. Please refer to device data sheet for actual part marking. Pb-Free indicator, "G" or microdot "▪", may or may not be present.



|                  |             |  |
|------------------|-------------|--|
| DOCUMENT NUMBER: | 98ASB42567B | Electronic versions are uncontrolled except when accessed directly from the Document Repository. Printed versions are uncontrolled except when stamped "CONTROLLED COPY" in red. |
| DESCRIPTION:     | SOIC-16 WB  | PAGE 1 OF 1  |

ON Semiconductor and ON are trademarks of Semiconductor Components Industries, LLC dba ON Semiconductor or its subsidiaries in the United States and/or other countries. ON Semiconductor reserves the right to make changes without further notice to any products herein. ON Semiconductor makes no warranty, representation or guarantee regarding the suitability of its products for any particular purpose, nor does ON Semiconductor assume any liability arising out of the application or use of any product or circuit, and specifically disclaims any and all liability, including without limitation special, consequential or incidental damages. ON Semiconductor does not convey any license under its patent rights nor the rights of others.

ON Semiconductor and  are trademarks of Semiconductor Components Industries, LLC dba ON Semiconductor or its subsidiaries in the United States and/or other countries. ON Semiconductor owns the rights to a number of patents, trademarks, copyrights, trade secrets, and other intellectual property. A listing of ON Semiconductor's product/patent coverage may be accessed at [www.onsemi.com/site/pdf/Patent-Marking.pdf](http://www.onsemi.com/site/pdf/Patent-Marking.pdf). ON Semiconductor reserves the right to make changes without further notice to any products herein. ON Semiconductor makes no warranty, representation or guarantee regarding the suitability of its products for any particular purpose, nor does ON Semiconductor assume any liability arising out of the application or use of any product or circuit, and specifically disclaims any and all liability, including without limitation special, consequential or incidental damages. Buyer is responsible for its products and applications using ON Semiconductor products, including compliance with all laws, regulations and safety requirements or standards, regardless of any support or applications information provided by ON Semiconductor. "Typical" parameters which may be provided in ON Semiconductor data sheets and/or specifications can and do vary in different applications and actual performance may vary over time. All operating parameters, including "Typicals" must be validated for each customer application by customer's technical experts. ON Semiconductor does not convey any license under its patent rights nor the rights of others. ON Semiconductor products are not designed, intended, or authorized for use as a critical component in life support systems or any FDA Class 3 medical devices or medical devices with a same or similar classification in a foreign jurisdiction or any devices intended for implantation in the human body. Should Buyer purchase or use ON Semiconductor products for any such unintended or unauthorized application, Buyer shall indemnify and hold ON Semiconductor and its officers, employees, subsidiaries, affiliates, and distributors harmless against all claims, costs, damages, and expenses, and reasonable attorney fees arising out of, directly or indirectly, any claim of personal injury or death associated with such unintended or unauthorized use, even if such claim alleges that ON Semiconductor was negligent regarding the design or manufacture of the part. ON Semiconductor is an Equal Opportunity/Affirmative Action Employer. This literature is subject to all applicable copyright laws and is not for resale in any manner.

## PUBLICATION ORDERING INFORMATION

### LITERATURE FULFILLMENT:

Email Requests to: [orderlit@onsemi.com](mailto:orderlit@onsemi.com)

ON Semiconductor Website: [www.onsemi.com](http://www.onsemi.com)

### TECHNICAL SUPPORT

North American Technical Support:  
Voice Mail: 1 800-282-9855 Toll Free USA/Canada  
Phone: 011 421 33 790 2910

Europe, Middle East and Africa Technical Support:

Phone: 00421 33 790 2910

For additional information, please contact your local Sales Representative