

NPN Epitaxial Silicon Transistor

BC337

Features

- Switching and Amplifier Applications
- Suitable for AF-Driver Stages and Low-Power Output Stages
- Complement to BC327/BC328

ABSOLUTE MAXIMUM RATINGS

(T_A = 25°C unless otherwise noted.)

Symbol	Parameter	Value	Unit
V _{CES}	Collector-Emitter Voltage	50	V
V _{CEO}	Collector-Emitter Voltage	45	V
V _{EBO}	Emitter-Base Voltage	5	V
I _C	Collector Current (DC)	800	mA
T _J	Junction Temperature	150	°C
T _{STG}	Storage Temperature	-55 to +150	°C

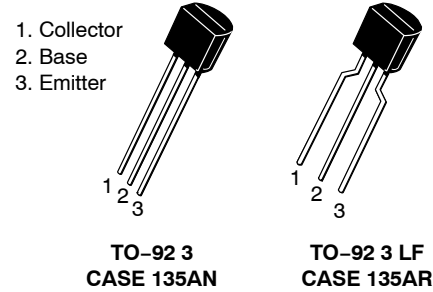
Stresses exceeding those listed in the Maximum Ratings table may damage the device. If any of these limits are exceeded, device functionality should not be assumed, damage may occur and reliability may be affected.

THERMAL CHARACTERISTICS

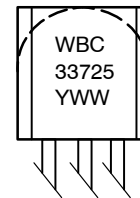
(T_A = 25°C unless otherwise noted.) (Note 1)

Symbol	Characteristic	Value	Unit
P _D	Power Dissipation Derate Above 25°C	625 5.0	mW mW/°C
R _{θJA}	Thermal Resistance, Junction to Ambient	200	°C/W

1. PCB size: FR-4, 76 mm × 114 mm × 1.57 mm (3.0 inch × 4.5 inch × 0.062 inch) with minimum land pattern size.



MARKING DIAGRAM



WBC = Assembly Location
33725 = Specific Device Code
Y = Year
WW = Work Week

ORDERING INFORMATION

Device	Package	Shipping [†]
BC33740BU	TO-92 3 (Pb-Free)	10,000 Units / BLKBG
BC33725BU	TO-92 3 (Pb-Free)	10,000 Units / BLKBG
BC33716BU	TO-92 3 (Pb-Free)	10,000 Units / BLKBG
BC33740TA	TO-92 3 LF (Pb-Free)	2,000 Units / FNFLD
BC33725TA	TO-92 3 LF (Pb-Free)	2,000 Units / FNFLD
BC33725TAR	TO-92 3 LF (Pb-Free)	2,000 Units / FNFLD
BC33716TA	TO-92 3 LF (Pb-Free)	2,000 Units / FNFLD
BC33725TF	TO-92 3 LF (Pb-Free)	2,000 / Tape & Reel
BC33725TFR	TO-92 3 LF (Pb-Free)	2,000 / Tape & Reel
BC33716TFR	TO-92 3 LF (Pb-Free)	2,000 / Tape & Reel

[†]For information on tape and reel specifications, including part orientation and tape sizes, please refer to our Tape and Reel Packaging Specification Brochure, BRD8011/D.

BC337

ELECTRICAL CHARACTERISTICS (T_A = 25°C unless otherwise noted.)

Symbol	Parameter	Conditions	Min	Typ	Max	Unit
BV _{CEO}	Collector–Emitter Breakdown Voltage	I _C = 10 mA, I _B = 0	45	–	–	V
BV _{CES}	Collector–Emitter Breakdown Voltage	I _C = 0.1 mA, V _{BE} = 0	50	–	–	V
BV _{EBO}	Emitter–Base Breakdown Voltage	I _E = 0.1 mA, I _C = 0	5	–	–	V
I _{CES}	Collector Cut–Off Current	V _{CE} = 45 V, I _B = 0	–	2	100	nA
h _{FE1}	DC Current Gain	V _{CE} = 1 V, I _C = 100 mA	100	–	630	
h _{FE2}		V _{CE} = 1 V, I _C = 300 mA	60	–		
V _{CE(sat)}	Collector–Emitter Saturation Voltage	I _C = 500 mA, I _B = 50 mA	–	–	0.7	V
V _{BE(on)}	Base–Emitter On Voltage	V _{CE} = 1 V, I _C = 300 mA	–	–	1.2	V
f _T	Current Gain Bandwidth Product	V _{CE} = 5 V, I _C = 10 mA, f = 50 MHz	–	100	–	MHz
C _{ob}	Output Capacitance	V _{CB} = 10 V, I _E = 0, f = 1 MHz	–	12	–	pF

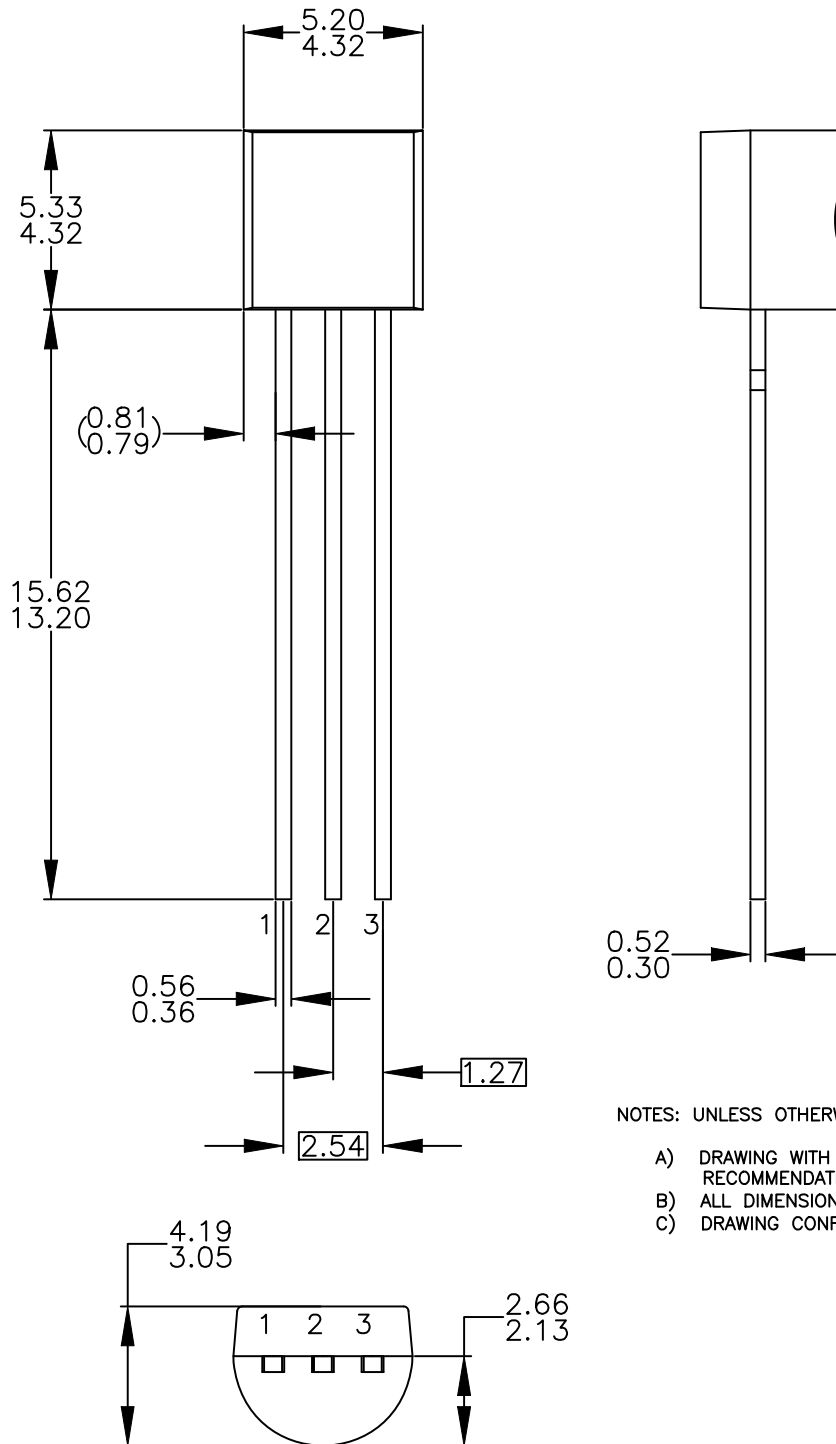
Product parametric performance is indicated in the Electrical Characteristics for the listed test conditions, unless otherwise noted. Product performance may not be indicated by the Electrical Characteristics if operated under different conditions.

h_{FE} Classification

Classification	16	25	40
h _{FE1}	100 ~ 250	160 ~ 400	250 ~ 630
h _{FE2}	60 ~	100 ~	170 ~

TO-92 3 4.825x4.76
CASE 135AN
ISSUE O

DATE 31 JUL 2016



NOTES: UNLESS OTHERWISE SPECIFIED

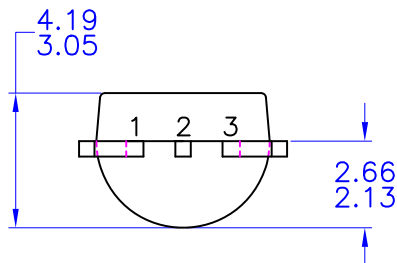
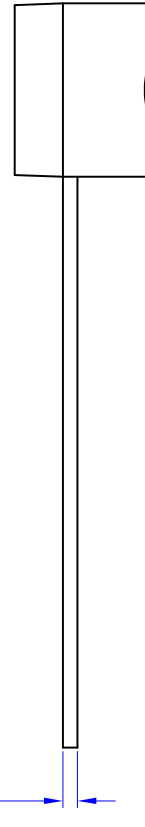
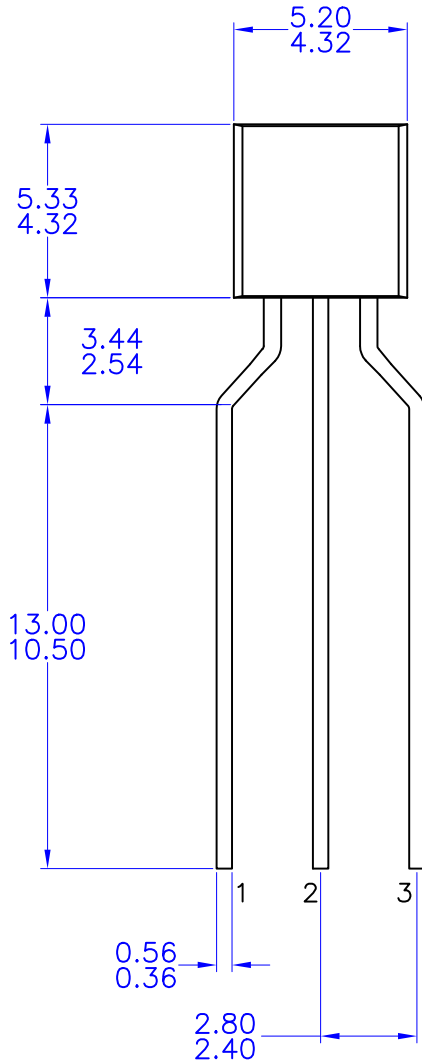
- A) DRAWING WITH REFERENCE TO JEDEC TO-92 RECOMMENDATIONS.
- B) ALL DIMENSIONS ARE IN MILLIMETERS.
- C) DRAWING CONFORMS TO ASME Y14.5M-2009.

DOCUMENT NUMBER:	98AON13880G	Electronic versions are uncontrolled except when accessed directly from the Document Repository. Printed versions are uncontrolled except when stamped "CONTROLLED COPY" in red.
DESCRIPTION:	TO-92 3 4.825X4.76	PAGE 1 OF 1

onsemi and ONSEMI are trademarks of Semiconductor Components Industries, LLC dba onsemi or its subsidiaries in the United States and/or other countries. onsemi reserves the right to make changes without further notice to any products herein. onsemi makes no warranty, representation or guarantee regarding the suitability of its products for any particular purpose, nor does onsemi assume any liability arising out of the application or use of any product or circuit, and specifically disclaims any and all liability, including without limitation special, consequential or incidental damages. onsemi does not convey any license under its patent rights nor the rights of others.

TO-92 3 4.83x4.76 LEADFORMED
CASE 135AR
ISSUE O

DATE 30 SEP 2016



NOTES: UNLESS OTHERWISE SPECIFIED

- A) DRAWING WITH REFERENCE TO JEDEC TO-92 RECOMMENDATIONS.
- B) ALL DIMENSIONS ARE IN MILLIMETERS.
- C) DRAWING CONFORMS TO ASME Y14.5M-1994

DOCUMENT NUMBER:	98AON13879G	Electronic versions are uncontrolled except when accessed directly from the Document Repository. Printed versions are uncontrolled except when stamped "CONTROLLED COPY" in red.
DESCRIPTION:	TO-92 3 4.83X4.76 LEADFORMED	PAGE 1 OF 1

onsemi and ONSEMI are trademarks of Semiconductor Components Industries, LLC dba onsemi or its subsidiaries in the United States and/or other countries. onsemi reserves the right to make changes without further notice to any products herein. onsemi makes no warranty, representation or guarantee regarding the suitability of its products for any particular purpose, nor does onsemi assume any liability arising out of the application or use of any product or circuit, and specifically disclaims any and all liability, including without limitation special, consequential or incidental damages. onsemi does not convey any license under its patent rights nor the rights of others.

onsemi, **Onsemi**, and other names, marks, and brands are registered and/or common law trademarks of Semiconductor Components Industries, LLC dba "**onsemi**" or its affiliates and/or subsidiaries in the United States and/or other countries. **onsemi** owns the rights to a number of patents, trademarks, copyrights, trade secrets, and other intellectual property. A listing of **onsemi**'s product/patent coverage may be accessed at www.onsemi.com/site/pdf/Patent-Marking.pdf. **onsemi** reserves the right to make changes at any time to any products or information herein, without notice. The information herein is provided "as-is" and **onsemi** makes no warranty, representation or guarantee regarding the accuracy of the information, product features, availability, functionality, or suitability of its products for any particular purpose, nor does **onsemi** assume any liability arising out of the application or use of any product or circuit, and specifically disclaims any and all liability, including without limitation special, consequential or incidental damages. Buyer is responsible for its products and applications using **onsemi** products, including compliance with all laws, regulations and safety requirements or standards, regardless of any support or applications information provided by **onsemi**. "Typical" parameters which may be provided in **onsemi** data sheets and/or specifications can and do vary in different applications and actual performance may vary over time. All operating parameters, including "Typicals" must be validated for each customer application by customer's technical experts. **onsemi** does not convey any license under any of its intellectual property rights nor the rights of others. **onsemi** products are not designed, intended, or authorized for use as a critical component in life support systems or any FDA Class 3 medical devices or medical devices with a same or similar classification in a foreign jurisdiction or any devices intended for implantation in the human body. Should Buyer purchase or use **onsemi** products for any such unintended or unauthorized application, Buyer shall indemnify and hold **onsemi** and its officers, employees, subsidiaries, affiliates, and distributors harmless against all claims, costs, damages, and expenses, and reasonable attorney fees arising out of, directly or indirectly, any claim of personal injury or death associated with such unintended or unauthorized use, even if such claim alleges that **onsemi** was negligent regarding the design or manufacture of the part. **onsemi** is an Equal Opportunity/Affirmative Action Employer. This literature is subject to all applicable copyright laws and is not for resale in any manner.

ADDITIONAL INFORMATION

TECHNICAL PUBLICATIONS:

Technical Library: www.onsemi.com/design/resources/technical-documentation
onsemi Website: www.onsemi.com

ONLINE SUPPORT: www.onsemi.com/support

For additional information, please contact your local Sales Representative at www.onsemi.com/support/sales