

Phototransistor Photo Detector

KDT00030, KDT00030A

Description

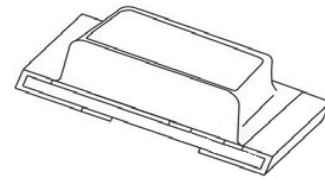
The KDT00030/KDT00030A are small, low-profile photo detectors. They incorporate a phototransistor detector chip, which makes them an ideal choice for low-cost ambient light measurement applications, like mobile appliances backlighting.

Features

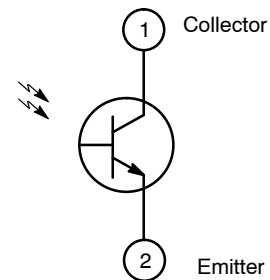
- Spectral Response Close to Human Eye
- Good Output Linearity Across Wide Illumination Range
- Small Footprint: 1.7 mm x 0.8 mm
- Low Profile: 0.6 mm
- Phototransistor with Filter Technology
- These Devices are Pb-Free and Halogen Free

Applications

- Cell Phones, Notebook PCs, PDAs, Digital Still Cameras



CHIPLED ALS
CASE 100CP



ORDERING INFORMATION

See detailed ordering and shipping information on page 3 of this data sheet.

KDT00030, KDT00030A

ABSOLUTE MAXIMUM RATINGS

Symbol	Parameter	Min.	Max.	Unit
V_{CE}	Collector – Emitter Voltage	–	6	V
T_{OPR}	Operating Temperature	–40	+85	°C
T_{STG}	Storage Temperature	–40	+100	°C

Stresses exceeding those listed in the Maximum Ratings table may damage the device. If any of these limits are exceeded, device functionality should not be assumed, damage may occur and reliability may be affected.

ELECTRICAL CHARACTERISTICS

Values are at $T_A = 25^\circ\text{C}$ and $V_{CE} = 5.0\text{ V}$, unless specified otherwise.

Symbol	Parameter	Conditions	Min.	Typ.	Max.	Unit	
I_{L1}	Light Current 1	$E_V = 100\text{ lux}$ (Note1)	7	10	–	μA	
I_{L2}	Light Current 2	$E_V = 1000\text{ lux}$ (Note1)	200	230	–	μA	
I_{L3}	Light Current 3	$E_V = 1000\text{ lux}$ (Note 2)	950	1100	–	μA	
I_{L3} / I_{L2}	Light Current Ratio		–	4.8	–	–	
I_{LEAK}	Dark Current	$V_{CE} = 10\text{ V}$ $E_V = 0$	KDT00030	–	–	100	nA
			KDT00030A	–	–	40	
V_O	Saturation Output Voltage	$V_{CC} = 5\text{ V}$, $E_V = 1000\text{ lux}$, $R_L = 75\text{ k}\Omega$	4.5	4.6	–	V	
Δ_P	Peak Sensitivity, Wavelength		–	630	–	nm	

Product parametric performance is indicated in the Electrical Characteristics for the listed test conditions, unless otherwise noted. Product performance may not be indicated by the Electrical Characteristics if operated under different conditions.

1. White fluorescent light (color temperature = 6.500 K).
2. Illuminance by CIE standard illuminant–A/2856K incandescent lamp.

KDT00030, KDT00030A

TYPICAL PERFORMANCE CHARACTERISTICS

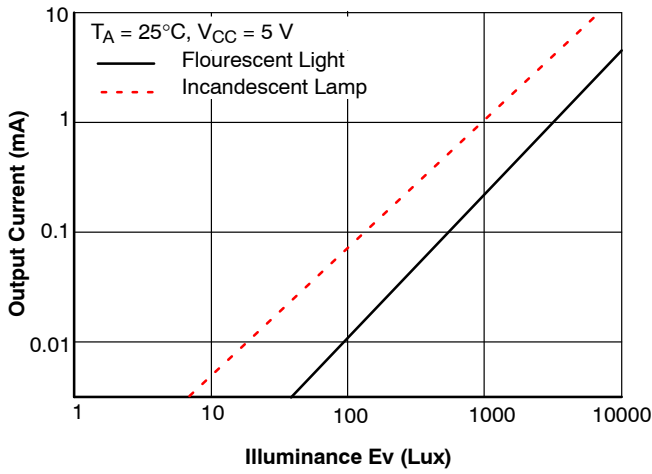


Figure 1. Illuminance vs. Output Photo Current

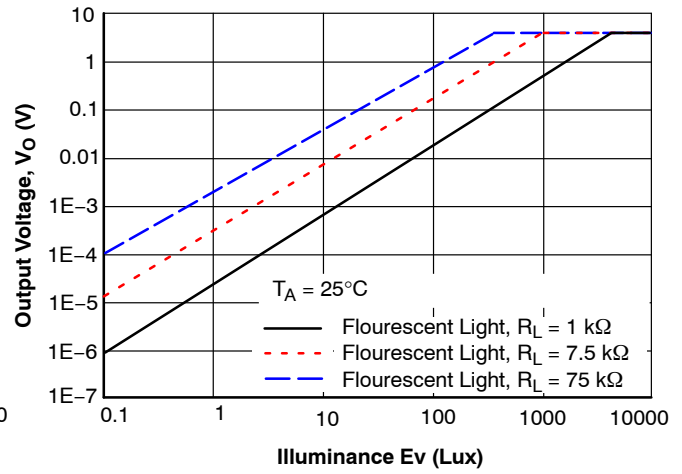


Figure 2. Illuminance vs. Output Voltage

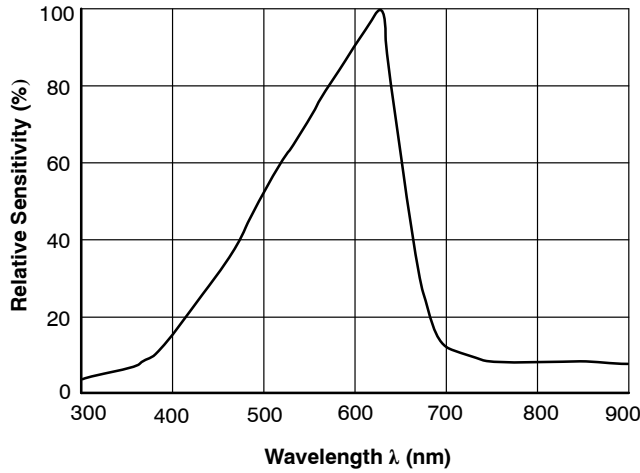


Figure 3. Spectral Response

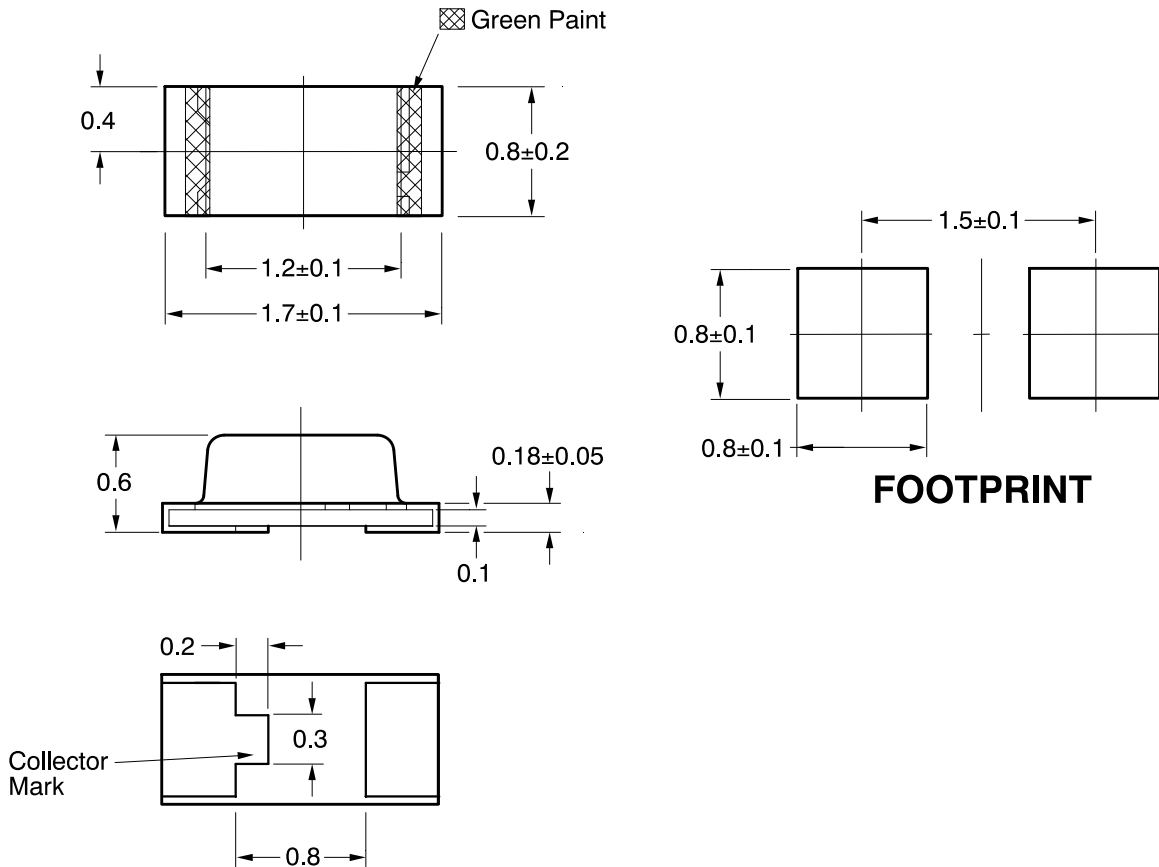
ORDERING INFORMATION

Part Number	Operating Temperature	Package	Shipping [†]
KDT00030TR	-40 to +85°C	CHIPLED ALS (Pb-Free / Halogen Free)	3000 / Tape and Reel
KDT00030ATR			3000 / Tape and Reel

[†]For information on tape and reel specifications, including part orientation and tape sizes, please refer to our Tape and Reel Packaging Specification Brochure, BRD8011/D.

CHIPLED ALS
CASE 100CP
ISSUE 0

DATE 30 NOV 2016



Note:
All dimensions are in mm, tolerances are ±0.1mm unless otherwise specified.

DOCUMENT NUMBER:	98AON13423G	Electronic versions are uncontrolled except when accessed directly from the Document Repository. Printed versions are uncontrolled except when stamped "CONTROLLED COPY" in red.
DESCRIPTION:	CHIPLED ALS	PAGE 1 OF 1

onsemi and ONSEMI are trademarks of Semiconductor Components Industries, LLC dba onsemi or its subsidiaries in the United States and/or other countries. onsemi reserves the right to make changes without further notice to any products herein. onsemi makes no warranty, representation or guarantee regarding the suitability of its products for any particular purpose, nor does onsemi assume any liability arising out of the application or use of any product or circuit, and specifically disclaims any and all liability, including without limitation special, consequential or incidental damages. onsemi does not convey any license under its patent rights nor the rights of others.

onsemi, **Onsemi**, and other names, marks, and brands are registered and/or common law trademarks of Semiconductor Components Industries, LLC dba "**onsemi**" or its affiliates and/or subsidiaries in the United States and/or other countries. **onsemi** owns the rights to a number of patents, trademarks, copyrights, trade secrets, and other intellectual property. A listing of **onsemi**'s product/patent coverage may be accessed at www.onsemi.com/site/pdf/Patent-Marking.pdf. **onsemi** reserves the right to make changes at any time to any products or information herein, without notice. The information herein is provided "as-is" and **onsemi** makes no warranty, representation or guarantee regarding the accuracy of the information, product features, availability, functionality, or suitability of its products for any particular purpose, nor does **onsemi** assume any liability arising out of the application or use of any product or circuit, and specifically disclaims any and all liability, including without limitation special, consequential or incidental damages. Buyer is responsible for its products and applications using **onsemi** products, including compliance with all laws, regulations and safety requirements or standards, regardless of any support or applications information provided by **onsemi**. "Typical" parameters which may be provided in **onsemi** data sheets and/or specifications can and do vary in different applications and actual performance may vary over time. All operating parameters, including "Typicals" must be validated for each customer application by customer's technical experts. **onsemi** does not convey any license under any of its intellectual property rights nor the rights of others. **onsemi** products are not designed, intended, or authorized for use as a critical component in life support systems or any FDA Class 3 medical devices or medical devices with a same or similar classification in a foreign jurisdiction or any devices intended for implantation in the human body. Should Buyer purchase or use **onsemi** products for any such unintended or unauthorized application, Buyer shall indemnify and hold **onsemi** and its officers, employees, subsidiaries, affiliates, and distributors harmless against all claims, costs, damages, and expenses, and reasonable attorney fees arising out of, directly or indirectly, any claim of personal injury or death associated with such unintended or unauthorized use, even if such claim alleges that **onsemi** was negligent regarding the design or manufacture of the part. **onsemi** is an Equal Opportunity/Affirmative Action Employer. This literature is subject to all applicable copyright laws and is not for resale in any manner.

ADDITIONAL INFORMATION

TECHNICAL PUBLICATIONS:

Technical Library: www.onsemi.com/design/resources/technical-documentation
onsemi Website: www.onsemi.com

ONLINE SUPPORT: www.onsemi.com/support

For additional information, please contact your local Sales Representative at www.onsemi.com/support/sales

