

Preconfigured DSP System for Hearing Aids

RHYTHM R3920

Description

RHYTHM™ R3920 is a preconfigured hearing health processor based on a DSP platform. Featuring 16 channels of Wide Dynamic Range Compression and Impulse Noise Reduction, R3920 encompasses a rich set of advanced sound processing algorithms and is ideal for high end, full-featured hearing aids. The R3920 hybrid is available in one of the industry's smallest form-factors and is well-suited for all hearing aid types, including those placed deep in the ear canal.

Features and Benefits

Wide Dynamic Range Compression (WDRC) – R3920 contains 16 Channels of Wide Dynamic Range Compression, each with individual settings for Squelch Attenuation and Threshold, Low Level Gain, High Level Gain, Upper and Lower Thresholds, and Compression Ratio. Independent level detectors for both Squelch and WDRC are available with customizable attack and release times set in each channel.

Impulse Noise Reduction (INR) – Loud, impulsive sounds in the environment such as slamming doors, dropped items, or clattering dishes can become uncomfortably or dangerously loud in a traditional hearing aid. The INR algorithm actively monitors and processes the incoming acoustic signal for such sounds. It ensures that the output sound preserves the integrity of the speech signal and is descriptive of the environment, while maintaining an optimal comfort level for the hearing aid user.

Acoustic Environment Classification – iSceneDetect analyzes incoming acoustic signals in order to determine the appropriate classification for a given acoustic environment. Six separate environments are supported by iSceneDetect: quiet, speech in quiet, noise, speech in noise, music, and wind. The feature uses this classification to automatically adjust settings of other features for optimum audio performance.

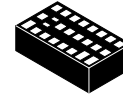
iLog 4.0 Datalogging – Enables the recording of various hearing aid parameters such as program selection, volume setting and ambient sound levels. The sampling interval can be configured to record from every 4 seconds up to once every 60 minutes. The manufacturer can program the fitting system to retrieve the data for further analysis after an extensive period of wearing the hearing aid. This allows the audiologist to fine tune the hearing aid and further counsel the end-user.

Automatic Adaptive Directionality – The Automatic Adaptive Directional Microphone (ADM) algorithm automatically reduces the level of sound sources that originate from behind or to the side of the hearing aid wearer without affecting sounds from the front. The algorithm can also gather input from the acoustic iSceneDetect environmental classifier algorithm and automatically select whether directionality is needed or not, translating into additional current savings.



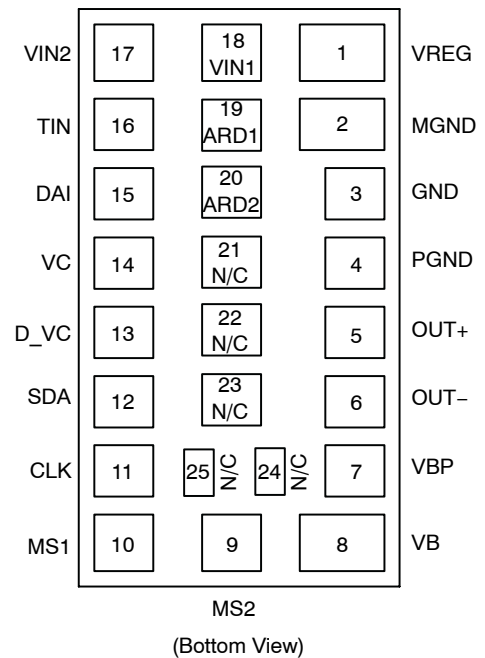
ON Semiconductor®

www.onsemi.com

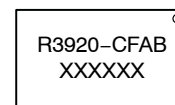


25 PAD
HYBRID
CASE 127DN

PAD CONNECTION



MARKING DIAGRAM



R3920-CFAB = Specific Device Code
XXXXXX = Work Order Number

ORDERING INFORMATION

See detailed ordering and shipping information on page 9 of this data sheet.

RHYTHM R3920

Adaptive Feedback Cancellor – Automatically reduces acoustic feedback. It allows for an increase in the stable gain while minimizing artifacts for music and tonal input signals. Additional tuning parameters make for more precise tuning of the algorithm to the hearing aid. The development tools for the R3920 offer a special calibration module to help assess the maximum stable gain in the hearing aid the manufacturer has built to further optimize the Adaptive Feedback Cancellor algorithm.

Adaptive Noise Reduction – The Adaptive Noise Reduction algorithm monitors noise levels independently in 128 individual bands and employs advanced psychoacoustic models to reduce noise and provide user comfort. The algorithm can be set for varying levels of aggressiveness from 3 dB up to 12 dB.

Automatic Receiver Detection – For Receiver-in-Canal (RIC) devices with field replaceable receivers, R3920 allows manufacturers to code different receiver types so they are automatically recognizable in software, eliminating potential selection errors.

Tinnitus Masking – R3920 is equipped with a noise source that can be used to mask tinnitus. The noise can be shaped and attenuated and then summed into the audio path either before or after the volume control. A white noise signal is generated and inserted into the audio path either before or after the volume control. Filtering can be performed on the white noise signal in order to shape the noise signal to a desired frequency and bandwidth. The tinnitus masker can be used as a stand alone tinnitus making device or as part of a hearing aid.

EVOKE Advanced Acoustic Indicators – Allows hearing aid manufacturers to provide more pleasing, multi-frequency tones simulating musical notes or chords to indicate events such as program or volume changes.

In-situ Tone Generator – The narrow-band noise stimulus feature can be used for in-situ validation of the hearing aid fitting. The frequency, level and duration of the stimuli are individually adjustable.

Other Key Features – R3920 also supports the following features: Directional processing, built-in feedback path measurement, cross fading between audio paths for click-free program changes, 16-band graphic equalizer, 8 generic biquad filters (configurable as parametric or other filter types), programming speed enhancements, optional peak clipping, flexible compression adjustments, direct interfaces to analog or digital volume control, rocker switch, direct audio input and telecoil. Rhythm R3920 also encompasses industry-leading security features to avoid cloning and software piracy.

Support Tools

- Hybrid Jig
- DSP3 Programming Box
- ARK Software Support

Features

- 16 Channel WDRC
- Advanced Research Algorithms:
 - ◆ Impulse Noise Reduction (INR)
 - ◆ iSceneDetect Environmental Classification
 - ◆ Automatic Adaptive Directional Microphones (ADM)
 - ◆ Directional Processing
 - ◆ 128-band Adaptive Noise Reduction
 - ◆ Next-Generation Adaptive Feedback Cancellation (AFC)
- iLog 4.0 Datalogging
- Tinnitus Masking Noise Generator
- Evoke Acoustic Indicators
- Auto Telecoil with Programmable Delay
- Feedback Path Measurement Tool
- AGC-O with Variable Threshold, Time Constants, and Optional Adaptive Release
- 16-band Graphic Equalizer
- Narrow-Band Noise Stimulus
- SDA or I²C Programming
- 8 Biquadratic Filters
- 4 Analog Inputs
- 16 kHz or 8 kHz Bandwidth
- 6 Fully Configurable Memories with Audible Memory Change Indicator
- 96 dB Input Dynamic Range with Headroom Extension
- 128-bit Fingerprint Security System and Other Security Features to Protect Against Device Cloning and Software Piracy
- High Fidelity Audio CODEC
- Soft Acoustic Fade between Memory Changes
- Drives Zero-Bias 2-Terminal Receivers
- Internal or External Digital Volume Control with Programmable Range
- Digital Volume Control Level Retention After Power Cycle
- Rocker Switch Support
- Support for Active Hi or Active Lo Switching
- 20-bit Audio Processing
- E1 RoHS Compliant Hybrid
- These Devices are Pb-Free and are RoHS Compliant

Packaging Information

- Hybrid Typical Dimensions:
0.220 x 0.125 x 0.060 in.
(5.59 x 3.18 x 1.52 mm)

RHYTHM R3920

BLOCK DIAGRAM

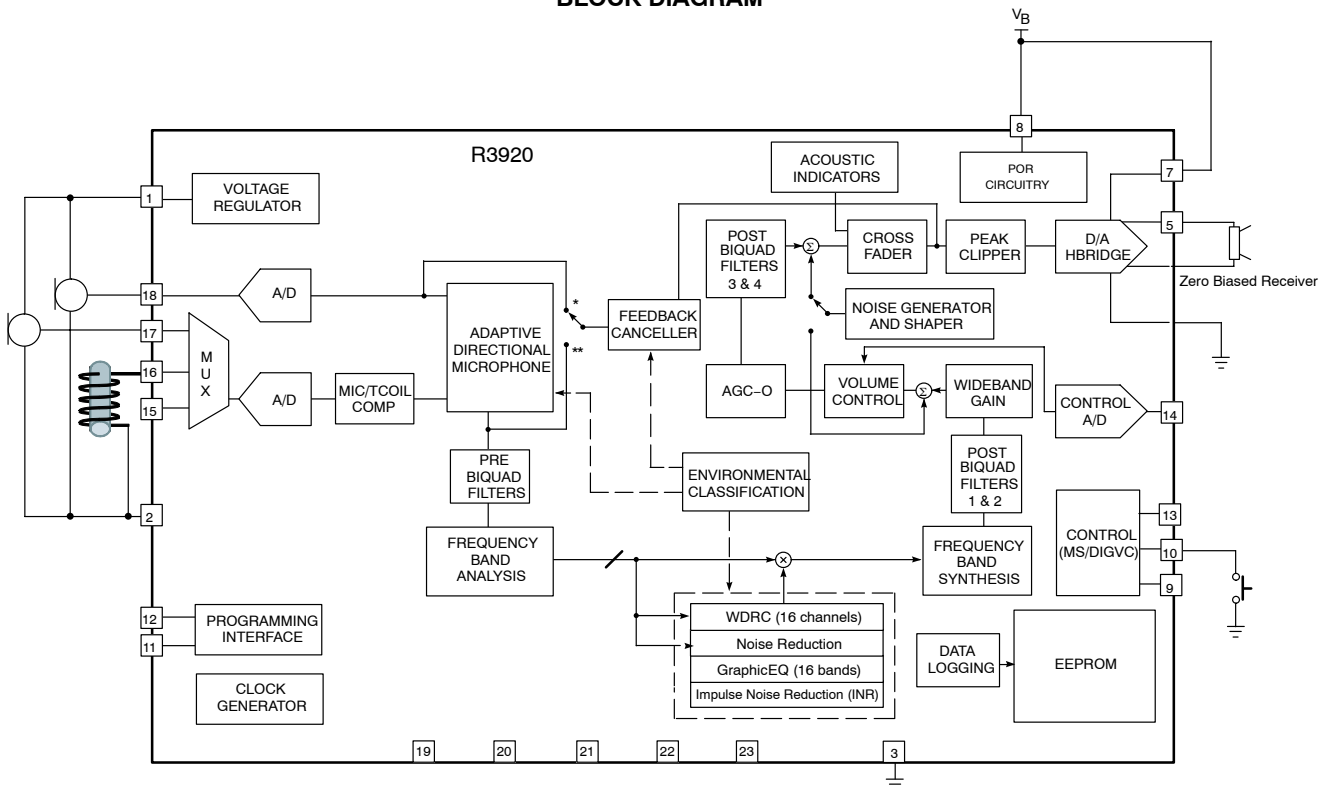


Figure 1. Hybrid Block Diagram

RHYTHM R3920

SPECIFICATIONS

Table 1. ABSOLUTE MAXIMUM RATINGS

| Parameter | Value | Units |
|------------------------------------|------------|-------|
| Operating Temperature Range | 0 to +40 | °C |
| Storage Temperature Range | -20 to +70 | °C |
| Absolute Maximum Power Dissipation | 50 | mW |
| Maximum Operating Supply Voltage | 1.65 | VDC |
| Absolute Maximum Supply Voltage | 1.8 | VDC |

Stresses exceeding those listed in the Maximum Ratings table may damage the device. If any of these limits are exceeded, device functionality should not be assumed, damage may occur and reliability may be affected.

WARNING: Electrostatic Sensitive Device – Do not open packages or handle except at a static-free workstation.

WARNING: Moisture Sensitive Device – RoHS Compliant; Level 3 MSL. Do not open packages except under controlled conditions.

Table 2. ELECTRICAL CHARACTERISTICS (Supply Voltage $V_B = 1.25$ V; Temperature = 25°C)

| Parameter | Symbol | Conditions | Min | Typ | Max | Units |
|----------------------------------|------------------|---|-------|-------|-------|--------|
| Minimum Operating Supply Voltage | V_{BOFF} | Ramp down, audio path | 0.93 | 0.95 | 0.97 | V |
| | | Ramp down, control logic | 0.77 | 0.80 | 0.83 | |
| Supply Voltage Turn On Threshold | V_{BON} | Ramp up, zinc-air | 1.06 | 1.10 | 1.16 | V |
| | | Ramp up, NiMH | 1.16 | 1.20 | 1.24 | |
| Hybrid Current | | All functions, 32 kHz sampling rate | - | 730 | - | µA |
| | | All functions, 16 kHz sampling rate | - | 620 | - | |
| EEPROM Burn Cycles | - | - | 100 k | - | - | cycles |
| Low Frequency System Limit | - | - | - | 125 | - | Hz |
| High Frequency System Limit | - | - | - | 16 | - | kHz |
| Total Harmonic Distortion | THD | $V_{IN} = -40$ dBV | - | - | 1 | % |
| THD at Maximum Input | THD _M | $V_{IN} = -15$ dBV, Headroom Extension – ON | - | - | 3 | % |
| Clock Frequency | f_{CLK} | - | 3.973 | 4.096 | 4.218 | MHz |

REGULATOR

| | | | | | | |
|-------------------|---------------------|---|------|------|------|----|
| Regulator Voltage | V_{REG} | - | 0.87 | 0.90 | 0.93 | V |
| System PSRR | PSRR _{SYS} | 1 kHz, Input referred, Headroom Extension enabled | - | 70 | - | dB |

INPUT

| | | | | | | |
|--------------------------------|---------------|--|------|------|------|-----|
| Input Referred Noise | IRN | Bandwidth 100 Hz – 8 kHz | - | -108 | -106 | dBV |
| Input Impedance | Z_{IN} | 1 kHz | - | 3 | - | MΩ |
| Anti-aliasing Filter Rejection | - | $f = [DC - 112$ kHz], $V_{IN} = -40$ dBV | - | 80 | - | dB |
| Crosstalk | - | Between both A/D and Mux | - | 60 | - | dB |
| Maximum Input Level | - | - | - | -15 | -13 | dBV |
| Analogue Input Voltage Range | V_{AN_IN} | V_{IN1}, V_{IN2}, AI | 0 | - | 800 | mV |
| | V_{AN_TIN} | T_{IN} | -100 | - | 800 | |
| Input Dynamic Range | - | Headroom Extension – ON Bandwidth 100 Hz – 8 kHz | - | 95 | 96 | dB |
| Audio Sampling Rate | - | - | 8 | - | 48 | kHz |

OUTPUT

| | | | | | | |
|-------------------|---|----------------|---|----|---|----|
| D/A Dynamic Range | - | 100 Hz – 8 kHz | - | 88 | - | dB |
|-------------------|---|----------------|---|----|---|----|

RHYTHM R3920

Table 2. ELECTRICAL CHARACTERISTICS (Supply Voltage $V_B = 1.25\text{ V}$; Temperature = 25°C)

| Parameter | Symbol | Conditions | Min | Typ | Max | Units |
|---|------------|---------------------------|-------|-----------|-------|---------------|
| OUTPUT | | | | | | |
| Output Impedance | Z_{OUT} | - | - | 10 | 13 | Ω |
| CONTROL A/D | | | | | | |
| Resolution (monotonic) | - | - | 7 | - | - | bits |
| Zero Scale Level | - | - | - | 0 | - | V |
| Full Scale Level | - | - | - | V_{REG} | - | V |
| VOLUME CONTROL | | | | | | |
| Volume Control Resistance | R_{VC} | Three-terminal connection | 200 | - | 1000 | $k\Omega$ |
| Volume Control Range | - | - | - | - | 42 | dB |
| PC_SDA INPUT | | | | | | |
| Logic 0 Voltage | - | - | 0 | - | 0.3 | V |
| Logic 1 Voltage | - | - | 1 | - | 1.25 | V |
| PC_SDA OUTPUT | | | | | | |
| Stand-by Pull Up Current | - | Creftrim = 6 | 3 | 5 | 6.5 | μA |
| Sync Pull Up Current | - | Creftrim = 6 | 748 | 880 | 1020 | μA |
| Max Sync Pull Up Current | - | Creftrim = 15 | - | 1380 | - | μA |
| Min Sync Pull Up Current | - | Creftrim = 0 | - | 550 | - | μA |
| Logic 0 Current (Pull Down) | - | Creftrim = 6 | 374 | 440 | 506 | μA |
| Logic 1 Current (Pull Up) | - | Creftrim = 6 | 374 | 440 | 506 | μA |
| Synchronization Time (Synchronization Pulse Width) | T_{SYNC} | Baud = 0 | 237 | 250 | 263 | μs |
| | | Baud = 1 | 118 | 125 | 132 | |
| | | Baud = 2 | 59 | 62.5 | 66 | |
| | | Baud = 3 | 29.76 | 31.25 | 32.81 | |
| | | Baud = 4 | 14.88 | 15.63 | 16.41 | |
| | | Baud = 5 | 7.44 | 7.81 | 8.20 | |
| | | Baud = 6 | 3.72 | 3.91 | 4.10 | |
| | | Baud = 7 | 1.86 | 1.95 | 2.05 | |

Product parametric performance is indicated in the Electrical Characteristics for the listed test conditions, unless otherwise noted. Product performance may not be indicated by the Electrical Characteristics if operated under different conditions.

RHYTHM R3920

Table 3. I²C TIMING

| Parameter | Symbol | Standard Mode | | Fast Mode | | Units |
|--|---------------------|-------------------|--------------------|-------------------------------------|-------------------|-------|
| | | Min | Max | Min | Max | |
| Clock Frequency | f _{PC_CLK} | 0 | 100 | 0 | 400 | kHz |
| Hold time (repeated) START condition. After this period, the first clock pulse is generated. | t _{HD;STA} | 4.0 | – | 0.6 | – | μsec |
| LOW Period of the PC_CLK Clock | t _{LOW} | 4.7 | – | – | – | μsec |
| HIGH Period of the PC_CLK Clock | t _{HIGH} | 4.0 | – | – | – | μsec |
| Set-up time for a repeated START condition | t _{SU;STA} | 4.7 | – | – | – | μsec |
| Data Hold Time: for CBUS Compatible Masters for I ² C-bus Devices | t _{HD;DAT} | 5.0 0 (Note 1) | – 3.45 (Note 2) | – 0 (Note 1) | – 0.9 (Note 2) | μsec |
| Data set-up time | t _{SU;DAT} | 250 | – | 100 | – | nsec |
| Rise time of both PC_SDA and PC_CLK signals | t _r | – | 1000 | 20 + 0.1 C _b (Note 4) | 300 | nsec |
| Fall time of both PC_SDA and PC_CLK signals | t _f | – | 300 | 20 + 0.1 C _b (Note 4) | 300 | nsec |
| Set-up time for STOP condition | t _{SU;STO} | 4.0 | – | 0.6 | – | nsec |
| Bus free time between a STOP and START condition | t _{BUF} | 4.7 | – | 1.3 | – | μsec |
| Output fall time from V _{IHmin} to V _{ILmax} with a bus capacitance from 10 pF to 400 pF | t _{of} | – | 250 | 20 + 0.1 C _b | 250 | nsec |
| Pulse width of spikes which must be suppressed by the input filter | t _{SP} | n/a | n/a | 0 | 50 | nsec |
| Capacitive load for each bus line | C _b | – | 400 | – | 400 | pF |

1. A device must internally provide a hold time of at least 300 ns for the PC_SDA signal to bridge the undefined region of the falling edge of PC_CLK.
2. The maximum t_{HD;DAT} has only to be met if the device does not stretch the LOW period (t_{LOW}) of the PC_CLK signal.
3. A Fast-mode I²C-bus device can be used in a Standard-mode I²C-bus system, but the requirement t_{SU;DAT} ≥ 250ns must then be met. This will automatically be the case if the device does not stretch the LOW period of the PC_CLK signal. If such a device does stretch the LOW period of the PC_CLK signal, it must output the next data bit to the PC_SDA line t_r max + t_{SU;DAT} = 1000 + 250 = 1250 ns (according to the Standard-mode I²C-bus specification) before the PC_CLK line is released.
4. C_b = total capacitance of one bus line in pF.

RHYTHM R3920

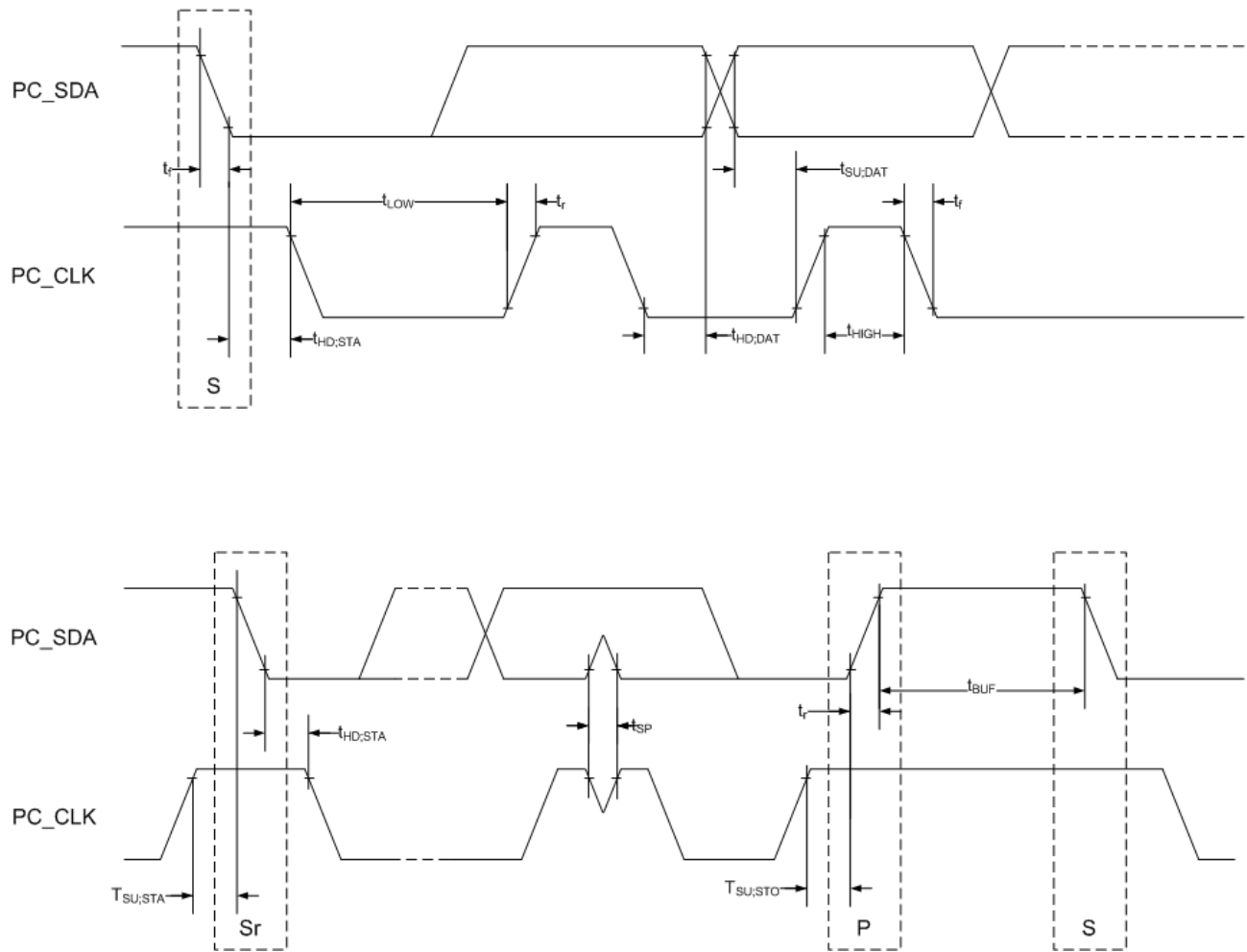


Figure 2. I²C Mode Timing

RHYTHM R3920

TYPICAL APPLICATIONS

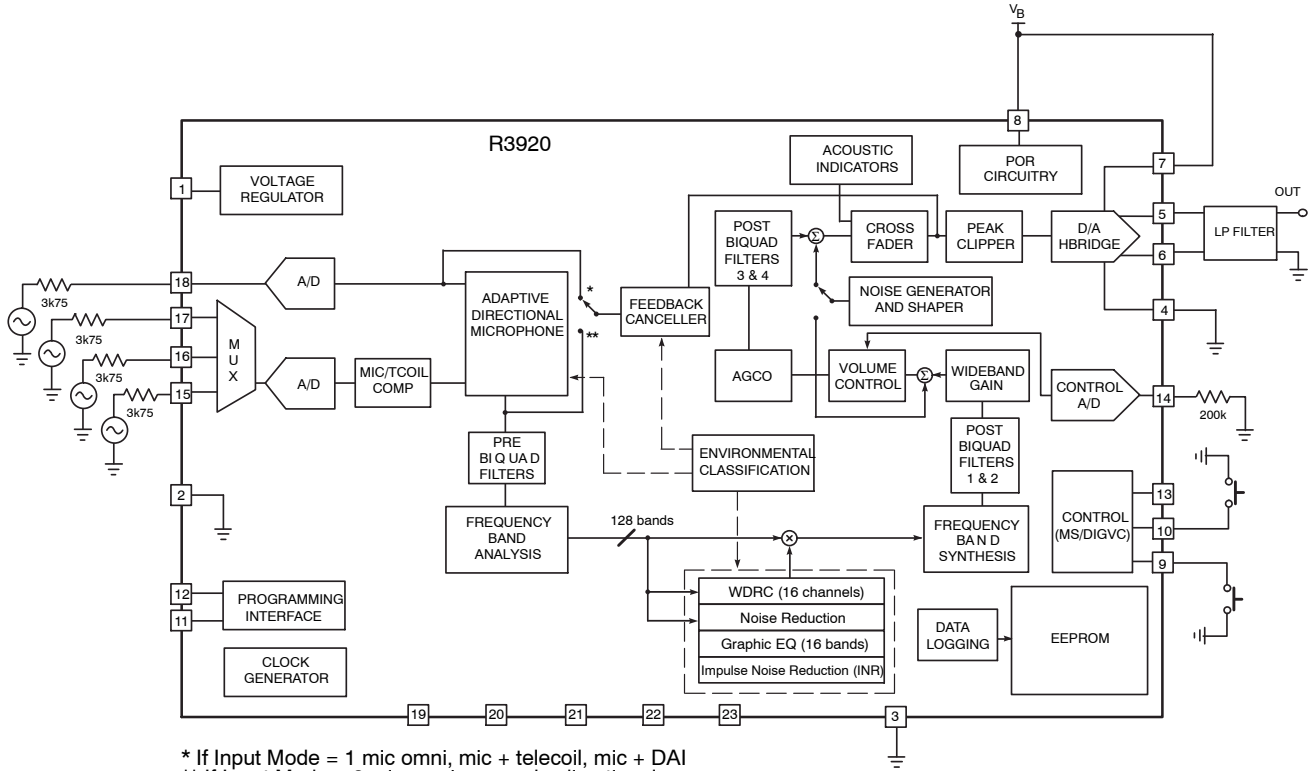


Figure 3. Test Circuit

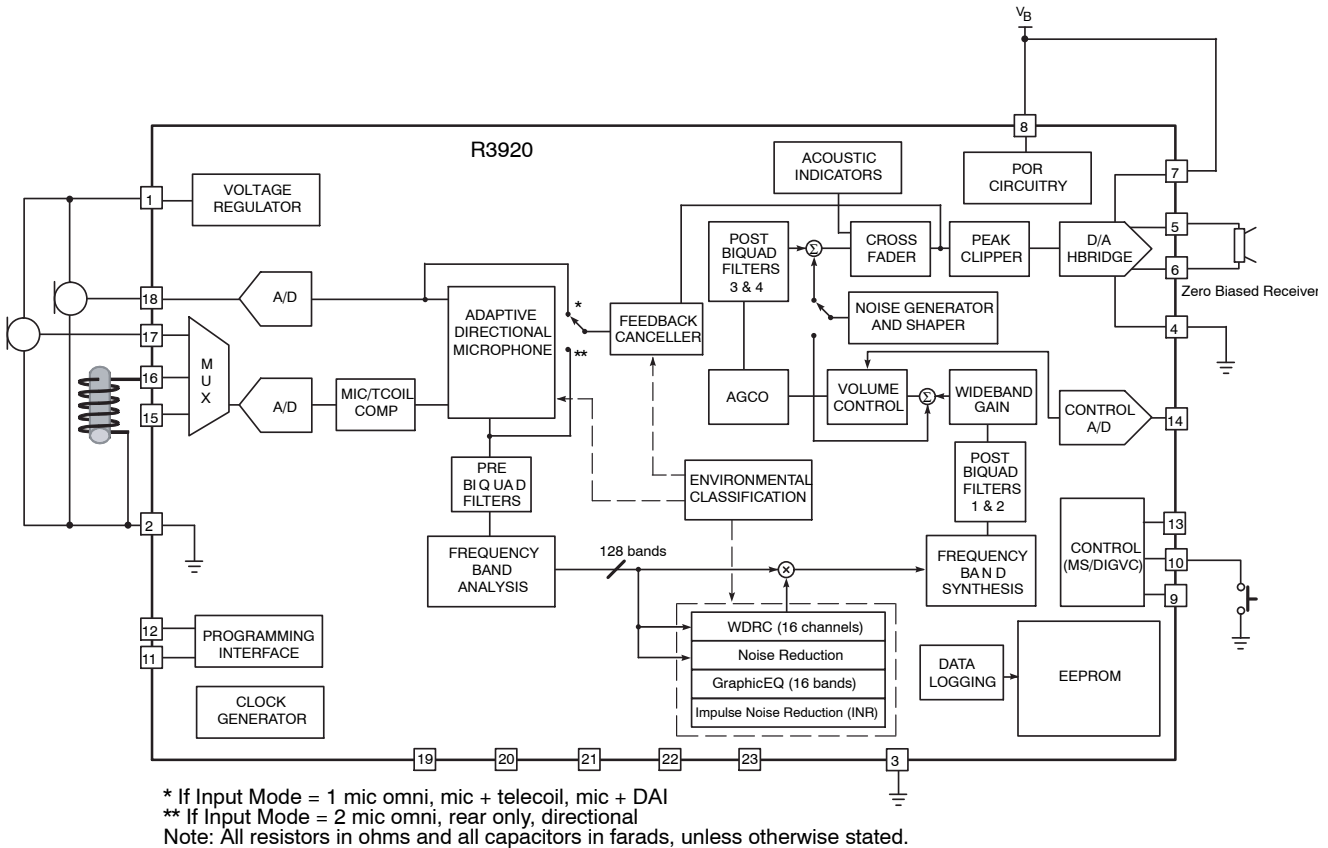


Figure 4. Typical Application Circuit

RHYTHM R3920

ORDERING INFORMATION

| Device | Package | Shipping† |
|----------------|-----------------------------|-------------------------|
| R3920-CFAB-E1T | 25 Pad Hybrid Case 127DN | 250 Units / Tape & Reel |

†For information on tape and reel specifications, including part orientation and tape sizes, please refer to our Tape and Reel Packaging Specifications Brochure, BRD8011/D.

Tools Ordering Information

To order a Hybrid Jig Evaluation Board for Rhythm R3920 contact your Sales Account Manager or FAE and use part number SA3400GEVB.

To order the DSP3 Programming box use part number SU6701-E1.

RHYTHM R3920

PAD LOCATIONS

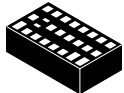
Table 4. PAD POSITION AND DIMENSIONS

| Pad No. | Pad Position | | Pad Dimensions | |
|---------|--------------|------|----------------|------------|
| | X | Y | Xdim (mil) | Ydim (mil) |
| 1 | 0 | 0 | 20 | 33 |
| 2 | -27 | 0 | 20 | 33 |
| 3 | -54 | -5 | 20 | 23 |
| 4 | -81 | -5 | 20 | 23 |
| 5 | -108 | -5 | 20 | 23 |
| 6 | -135 | -5 | 20 | 23 |
| 7 | -162 | -5 | 20 | 23 |
| 8 | -189 | 0 | 20 | 33 |
| 9 | -189 | 42 | 20 | 23 |
| 10 | -189 | 85 | 20 | 23 |
| 11 | -162 | 85 | 20 | 23 |
| 12 | -135 | 85 | 20 | 23 |
| 13 | -108 | 85 | 20 | 23 |
| 14 | -81 | 85 | 20 | 23 |
| 15 | -54 | 85 | 20 | 23 |
| 16 | -27 | 85 | 20 | 23 |
| 17 | 0 | 85 | 20 | 23 |
| 18 | 0 | 42 | 20 | 23 |
| 19 | -27 | 42 | 20 | 23 |
| 20 | -54 | 42 | 20 | 23 |
| 21 | -81 | 42 | 20 | 23 |
| 22 | -108 | 42 | 20 | 23 |
| 23 | -135 | 42 | 20 | 23 |
| 24 | -162 | 26.5 | 18 | 12 |
| 25 | -162 | 53.5 | 18 | 12 |

RHYTHM R3920

Table 4. PAD POSITION AND DIMENSIONS

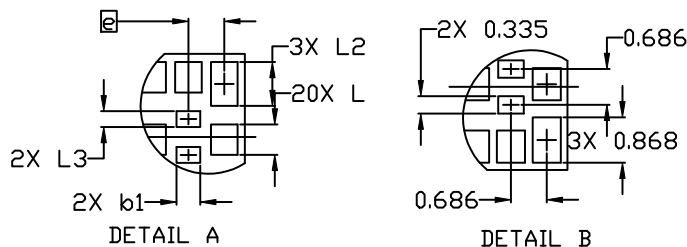
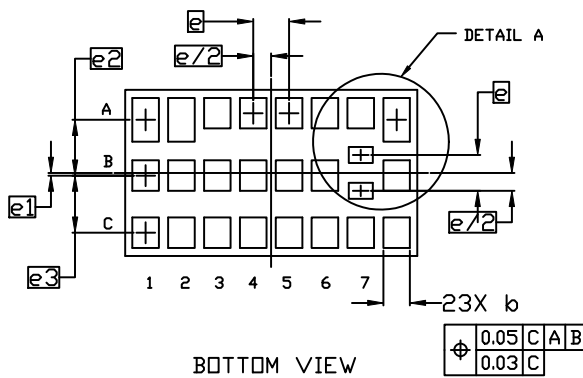
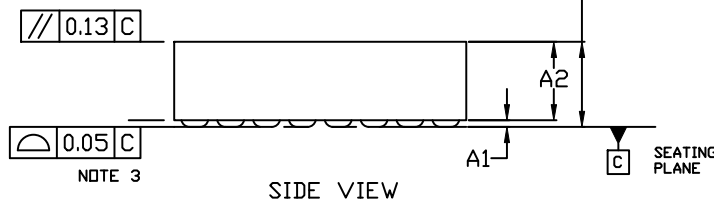
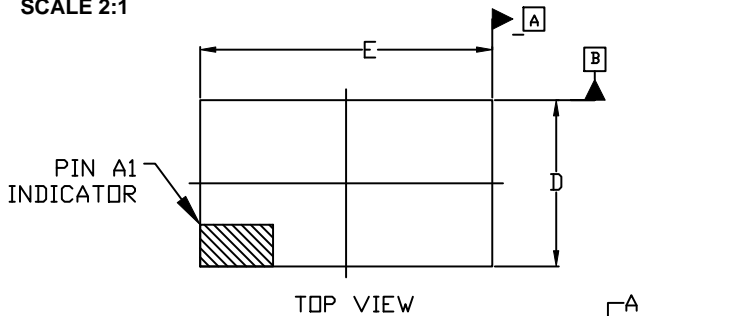
| Pad No. | X | Y | Xdim (mm) | Ydim (mm) |
|---------|--------|--------|-----------|-----------|
| 1 | 0 | 0 | 0.508 | 0.838 |
| 2 | -0.686 | 0 | 0.508 | 0.838 |
| 3 | -1.372 | -0.127 | 0.508 | 0.584 |
| 4 | -2.057 | -0.127 | 0.508 | 0.584 |
| 5 | -2.743 | -0.127 | 0.508 | 0.584 |
| 6 | -3.429 | -0.127 | 0.508 | 0.584 |
| 7 | -4.115 | -0.127 | 0.508 | 0.584 |
| 8 | -4.801 | 0 | 0.508 | 0.838 |
| 9 | -4.801 | 1.067 | 0.508 | 0.584 |
| 10 | -4.801 | 2.159 | 0.508 | 0.584 |
| 11 | -4.115 | 2.159 | 0.508 | 0.584 |
| 12 | -3.429 | 2.159 | 0.508 | 0.584 |
| 13 | -2.743 | 2.159 | 0.508 | 0.584 |
| 14 | -2.057 | 2.159 | 0.508 | 0.584 |
| 15 | -1.372 | 2.159 | 0.508 | 0.584 |
| 16 | -0.686 | 2.159 | 0.508 | 0.584 |
| 17 | 0 | 2.159 | 0.508 | 0.584 |
| 18 | 0 | 1.067 | 0.508 | 0.584 |
| 19 | -0.686 | 1.067 | 0.508 | 0.584 |
| 20 | -1.372 | 1.067 | 0.508 | 0.584 |
| 21 | -2.057 | 1.067 | 0.508 | 0.584 |
| 22 | -2.743 | 1.067 | 0.508 | 0.584 |
| 23 | -3.429 | 1.067 | 0.508 | 0.584 |
| 24 | -4.115 | 0.673 | 0.457 | 0.305 |
| 25 | -4.115 | 1.359 | 0.457 | 0.305 |



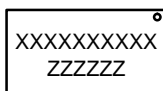
SCALE 2:1

SIP25, 5.59x3.18
CASE 127DN
ISSUE A

DATE 21 JUL 2020



GENERIC MARKING DIAGRAM*



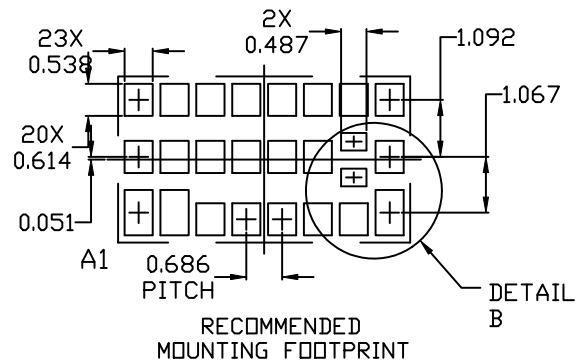
XX = Specific Device Code
ZZ = Lot Traceability

*This information is generic. Please refer to device data sheet for actual part marking. Pb-Free indicator, "G" or microdot "•", may or may not be present. Some products may not follow the Generic Marking.

NOTES:

1. DIMENSIONING AND TOLERANCING PER ASME Y14.5M, 2009.
2. CONTROLLING DIMENSION: MILLIMETERS
3. COPLANARITY APPLIES TO THE SPHERICAL CROWNS OF THE PADS.

| DIM | MILLIMETERS | | |
|-----|-------------|-------|-------|
| | MIN. | NOM. | MAX. |
| A | --- | --- | 1.68 |
| A1 | 0.08 | 0.13 | 0.18 |
| A2 | --- | --- | 1.50 |
| b | 0.478 | 0.508 | 0.538 |
| b1 | 0.427 | 0.457 | 0.487 |
| D | 3.05 | 3.18 | 3.31 |
| E | 5.46 | 5.59 | 5.72 |
| e | 0.686 BSC | | |
| e1 | 0.051 BSC | | |
| e2 | 1.067 BSC | | |
| e3 | 1.092 BSC | | |
| L | 0.554 | 0.584 | 0.614 |
| L2 | 0.808 | 0.838 | 0.868 |
| L3 | 0.275 | 0.305 | 0.335 |



* For additional information on our Pb-Free strategy and soldering details, please download the DN Semiconductor Soldering and Mounting Techniques Reference Manual, SOLDERM/D.

| | | |
|------------------|------------------|--|
| DOCUMENT NUMBER: | 98AON89696F | Electronic versions are uncontrolled except when accessed directly from the Document Repository. Printed versions are uncontrolled except when stamped "CONTROLLED COPY" in red. |
| DESCRIPTION: | SIP25, 5.59x3.18 | PAGE 1 OF 1 |

onsemi and ONSEMI are trademarks of Semiconductor Components Industries, LLC dba onsemi or its subsidiaries in the United States and/or other countries. onsemi reserves the right to make changes without further notice to any products herein. onsemi makes no warranty, representation or guarantee regarding the suitability of its products for any particular purpose, nor does onsemi assume any liability arising out of the application or use of any product or circuit, and specifically disclaims any and all liability, including without limitation special, consequential or incidental damages. onsemi does not convey any license under its patent rights nor the rights of others.

onsemi, **Onsemi**, and other names, marks, and brands are registered and/or common law trademarks of Semiconductor Components Industries, LLC dba "**onsemi**" or its affiliates and/or subsidiaries in the United States and/or other countries. **onsemi** owns the rights to a number of patents, trademarks, copyrights, trade secrets, and other intellectual property. A listing of **onsemi**'s product/patent coverage may be accessed at www.onsemi.com/site/pdf/Patent-Marking.pdf. **onsemi** reserves the right to make changes at any time to any products or information herein, without notice. The information herein is provided "as-is" and **onsemi** makes no warranty, representation or guarantee regarding the accuracy of the information, product features, availability, functionality, or suitability of its products for any particular purpose, nor does **onsemi** assume any liability arising out of the application or use of any product or circuit, and specifically disclaims any and all liability, including without limitation special, consequential or incidental damages. Buyer is responsible for its products and applications using **onsemi** products, including compliance with all laws, regulations and safety requirements or standards, regardless of any support or applications information provided by **onsemi**. "Typical" parameters which may be provided in **onsemi** data sheets and/or specifications can and do vary in different applications and actual performance may vary over time. All operating parameters, including "Typicals" must be validated for each customer application by customer's technical experts. **onsemi** does not convey any license under any of its intellectual property rights nor the rights of others. **onsemi** products are not designed, intended, or authorized for use as a critical component in life support systems or any FDA Class 3 medical devices or medical devices with a same or similar classification in a foreign jurisdiction or any devices intended for implantation in the human body. Should Buyer purchase or use **onsemi** products for any such unintended or unauthorized application, Buyer shall indemnify and hold **onsemi** and its officers, employees, subsidiaries, affiliates, and distributors harmless against all claims, costs, damages, and expenses, and reasonable attorney fees arising out of, directly or indirectly, any claim of personal injury or death associated with such unintended or unauthorized use, even if such claim alleges that **onsemi** was negligent regarding the design or manufacture of the part. **onsemi** is an Equal Opportunity/Affirmative Action Employer. This literature is subject to all applicable copyright laws and is not for resale in any manner.

ADDITIONAL INFORMATION

TECHNICAL PUBLICATIONS:

Technical Library: www.onsemi.com/design/resources/technical-documentation
onsemi Website: www.onsemi.com

ONLINE SUPPORT: www.onsemi.com/support

For additional information, please contact your local Sales Representative at www.onsemi.com/support/sales