

Evaluation Board with F2 TNPC M3S Module Evaluation Board User's Manual

EVBUM2883/D

Evaluation Board Description

This evaluation board supports evaluation of NXH008T120M3F2PTHG or NXH011T120M3F2PTHG –3 level TNPC – Neutral point clamped, T-type, 8 mohm or 11 mohm module consisting of 1200 V M3S SiC MOSFET working together with NCD57100 gate drivers. This demo board should be used as an example for designing an energy infrastructure application, such as PV inverter, UPS, or EV-charger. This manual describes the board function, schematics, bill of material, board layout, thermal properties and operation.

Module is not assembled in power board. Must be installed separately.

The evaluation board can be assembled with 1x SiC mosfet module (PIM) pressed to the PCB using press-fit technology. The gate driver stage consists of 4x NCD57100 high current galvanically isolated gate driver. The driver provides 5 kV insulation between primary and secondary side. Secondary side of the gate is supplied through isolated DC/DC voltage source realized by integrated DC-DC source (05-1803). Recommended operation V_{GS} voltage is 18 V / -3 V.

The evaluation board can be connected to an external controller providing PWM inputs by connector located on the board. Use of an external sensor for over current and over voltage protection is recommended.

Evaluation Board Operation

The board is designed as ROHS compliant. Design of the board was not qualified for manufacturing. No tests were made on whole operating temperature range. No lifetime tests were performed. The board must be used in lab environment only and must be operated by skilled personal familiar with all safety standards. Further details of used components are in respective datasheets.

Features

- Very Low R_{DSon} Module Solution, can handle Power up to 20 kW
- 4x Isolated Gate Driver for individually for Each Switch with 5 kV Insulation
- Module NTC for Temperature Sensing
- Low Inductance PCB Layout
- Press-fit Pin Technology
- VDC Bus Film Capacitors Bank – DC Source can be Connected Directly, Additional Capacity Connection Not Needed

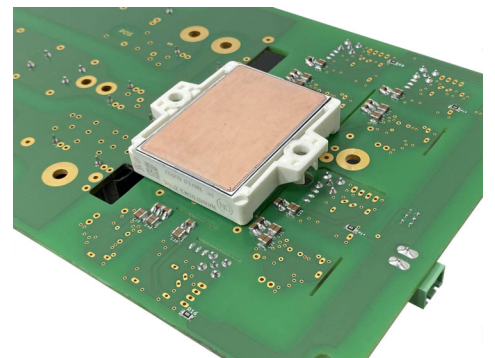
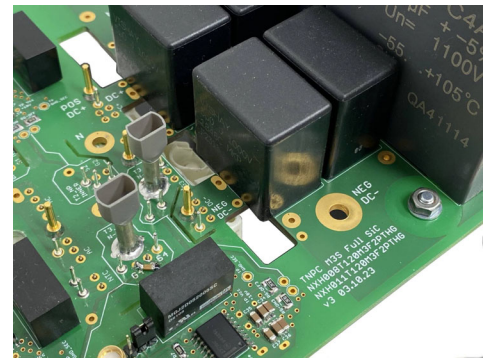
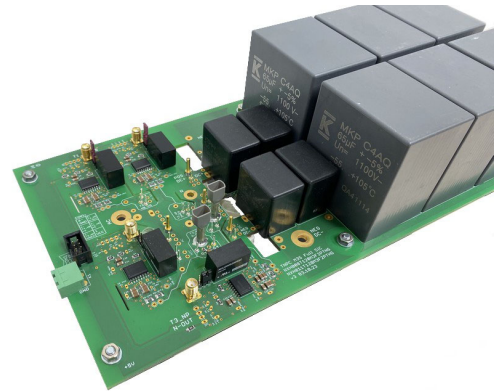


Figure 1. Evaluation Board Photo Views

EVALUATION BOARD DESCRIPTION

Evaluation Board Block Diagram

The PCB carries gate driver stage (4x same driver block controlled each switch individually), symmetric voltage power terminals and input PWM terminals and power stage with TNPC module.

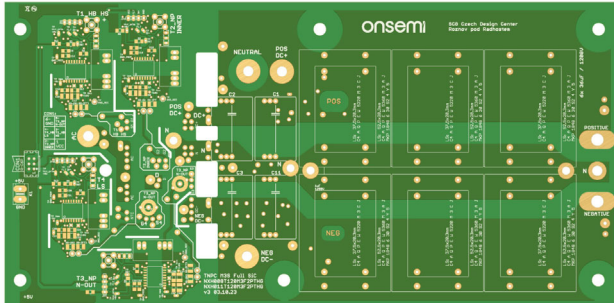


Figure 2. PCB Layout Overview

Mechanical Dimensions

Main board outline dimensions are 304.4 mm x 150 mm. The board outline is shown in Figure 3. Thickness of the main board is 2.47mm. Material is 2-layer FR4 PCB.

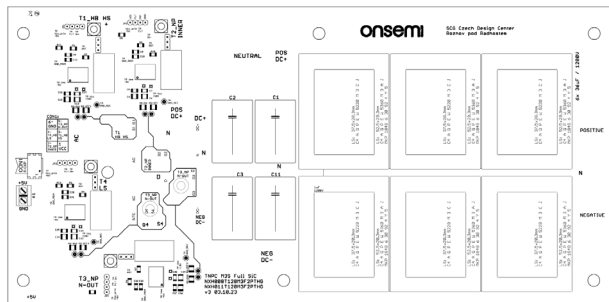


Figure 3. Board Placement Overview

Type: Double sided; Id: D384624		Date: 03.10.2023		
2 layer stackup; Tg 135°		RIGID (A)		
Material text	Cu layer	Material	Thick [µm]	Pit drill
Green		Solder mask	20	
Copper (ED)	L1	Copper	35+25 Plt	A
FR4-DE104		Rigid laminate	2330	
Copper (ED)	L2	Copper	35+25 Plt	
Green		Solder mask	20	
Stackup thickness			Thick [µm]	
Estimated			2470	
Required			2400	
Plated drill		Start-stop layer		
Through holes		A = L1 - L2		

Figure 4. PCB Board Stack

Electrical Rating

The board is rated to DC voltage input symmetrical ±400 VDC. Which means 400 VDC between Vdc+ and Neutral, -400 VDC between Vdc- and Neutral and 800 V between Vdc+ and Vdc-. Nominal voltage in the DC link is 800 V (2x400 V). Maximum voltage in the DC link is 1000 V. There is no protection for exceeding maximum DC link voltage. No inrush current limitation is present on the board. There is needed connect symmetrical Vdc source, can be created from two same DC source in series. One DC source is not recommended, as there is not implemented protection against voltage unbalance.

Power Supply Connection

For the primary side of the gate drivers, the user must connect an external regulated voltage of 5 V / 1 A to connector JP1. Typical power board 5 V consumption is about 150 mA.

Secondary side of gate driver is supplied through integrated DC/DC source 5 V / +18 V, -3 V

NOTE: Integrated DC-DC source – Rated output voltage (18 / -3 V) is defined only with current load 80 mA. Without load (0-5 mA) output voltage reach up higher values → typically up to 21.75 V / -4.46 V.

Connector Pinout

For connection of PWM signals into the board the connector CON1, pinout is described below on

CON1:

6- GND	5- T3_NP N-OUT
4- T4_HB LS	3- T1_HB HS
2- T2_NP INNER	1 VCC

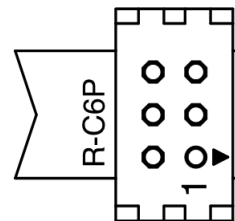


Figure 5. Input Connector Front Side View

Power Terminals Connection

For connection DC Source, Inductor and load is prepared M5 plated holes.

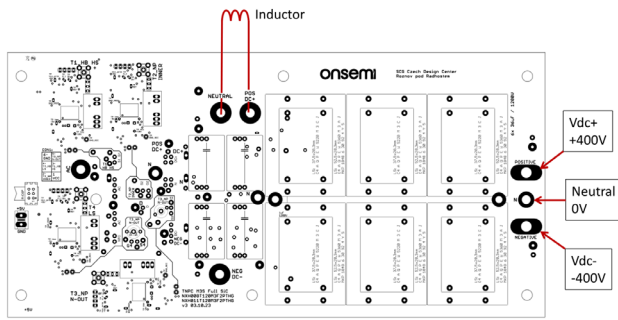


Figure 6. Main Power Terminal Connection

Double Pulse Test Waveforms

Results of double pulse test conducted on the demo board are presented below. As MOSFET has 1200 V rated voltage, acceptable VDC bus voltage is up to 1000 V. Switching speed is mostly depends on used Rg value, recommended range is 2.7–6.8 Ω, maximum Vds overshoot should be below 1200 V.

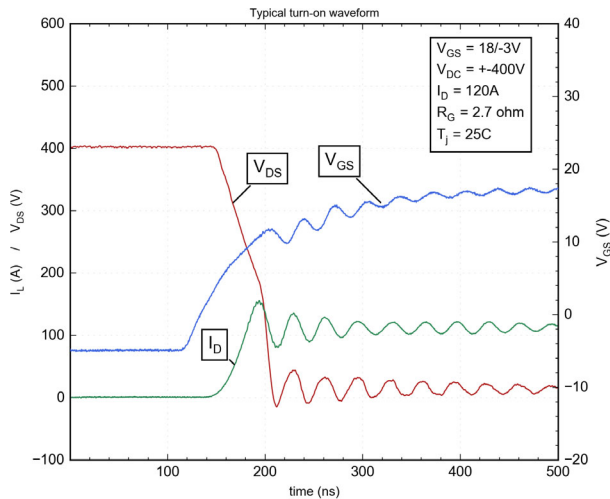


Figure 7. Double Pulse Test Waveform – Turn On (NXH011T120M3F2PTHG)

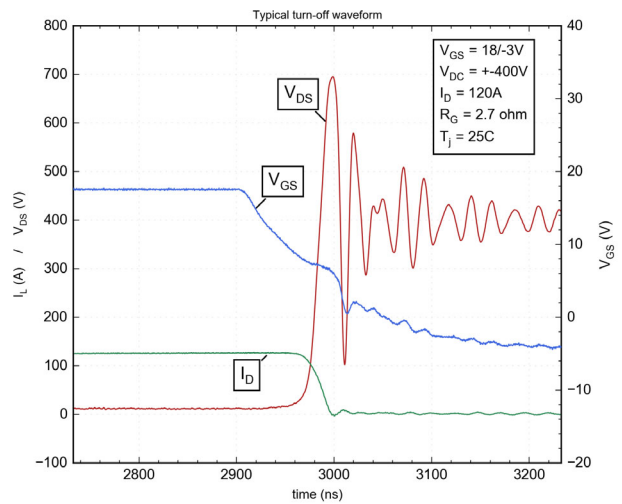


Figure 8. Double Pulse Test Waveform – Turn Off (NXH011T120M3F2PTHG)

11 mR vs. 8 mR Switching Losses

The PCB board is capable to accommodate both version of modules, 8mR TNPC module (NXH008T120M3F2PTHG) or 11 mR TNPC module (NXH011T120M3F2PTHG).

8 mR TNPC module is suitable for power level range up to 25 kW. 11 mR TNPC module is suitable for power level range up to 15 kW.

TNPC commutations paths

TNPC topology has two commutation paths:

- **Halfbridge commutation path** – switching halfbridge MOSFET T1/T4 with freewheeled MOSFET T2+T3 (Body diode D2,D3 conduct during deadtime) in neutral point path
- **Neutral point commutation path** – switching neutral point mosfet T2/T3 with freewheeled halfbridge MOSFET T1 or T4 (Body diode D1 or D4 D3 conduct during deadtime)

For double pulse testing is recommended to test both commutation paths, however as there is same BOM in HB and NP commutation path, we can expect similar waveforms and losses.

Manual – Functional Verification

After assembly board is recommended to do following steps to check properly drivers operation.

For temporary control MOSFET switch there are located jumpers on board. By this jumper can be switch set to permanently OFF or ON for check driver function as output response on input signal. Location of these jumpers are on drawing below.

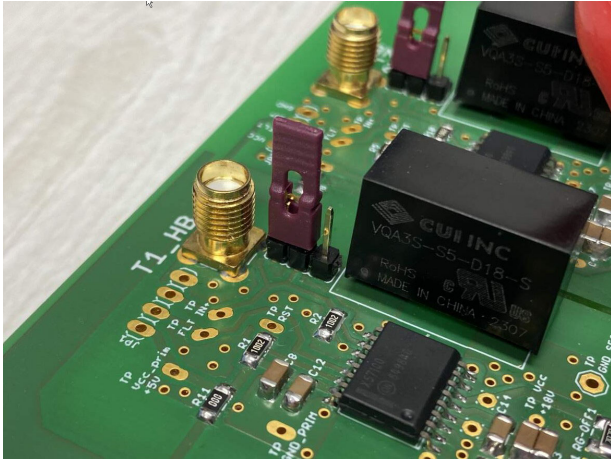


Figure 9. Primary Section of Driver Stage

Basic driver function is to control MOSFET. Input signal is transferred to the output through isolation barrier. If we temporary set input of driver as High by mentioned jumpers, there should positive voltage response on the output, typically 15–18 V. This basic behavior should be check during first board connection, before HV double pulse test. MOSFET driver is recommended to test for input LOW and HIGH state. Input value must correspond with output measured value. We have 4x driver stage for control each switch separately, its recommended to check all 4 drivers with this test.

After test all 4 switches, we can connect symmetrical VDC source with 0.1x nominal voltage ± 40 V (80 V from DC- to DC+) for first test double pulse test. Connect PWM signal generator and oscilloscope probes. Detailed test procedure after assembly is in attachments of this file.

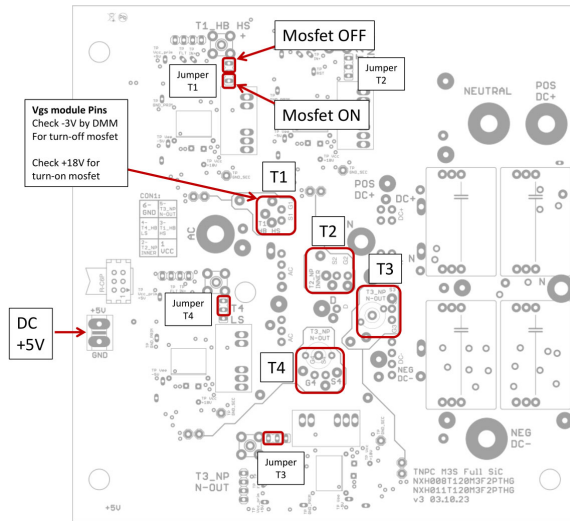


Figure 10. Vgs Module Pin Locations

EVBUM2883/D

BOM – BILL OF MATERIALS

Item	Designator (Main Board)	Qty	Value / F-order_code / Manufacturer part number
1	LSP1, LSP2, LSP3, LSP4, LSP6, LSP7, LSP8, LSP10, LSP11, LSP12, LSP13, LSP14, LSP15, LSP16, LSP17, LSP18, LSP19, LSP20, LSP21, LSP22, LSP23, LSP24, LSP25, LSP26, LSP27, LSP29, LSP30, LSP32, LSP33	29	Not Placed
2	PAD12, PAD13, PAD16, PAD17, PAD25, PAD26, PAD34, PAD35	8	Not Placed
3	PAD6, PAD10, PAD14, PAD18, PAD23, PAD27, PAD32, PAD36	8	Not Placed
4	U\$2, U\$3, U\$4, U\$5, U\$16, U\$18	6	Not Placed
5	U\$15, U\$20, U\$21, U\$29, U\$30	5	Not Placed
6	DUT1	1	Not Placed
7	U\$12, U\$14	2	0.8mm Pin-socket in middle _F1629138_FISCHER ELEKTRONIK MK 221 100 Z
8	R9, R11, R12, R13, R14, R15, R16	7	0R__F1632520__MULTICOMP PRO MC1206S4F0000T5E
9	C5, C10, C12, C16, C21, C25, C33, C37, C7, C14, C23, C35	12	100n_100V__F2392394__KEMET C1206C104K1RACTU
10	R1, R2, R3, R4, R5, R6, R7, R8, R10	9	10k_F2446772__MULTICOMP PRO MCWR12X1002FTL
11	C8, C9, C20, C32	4	10uF/50V__F2672214__MURATA GRT31CR61H106KE01L
12	C6, C13, C17, C18, C19, C22, C26, C27, C29, C30, C31, C34, C38, C39, C40, C28, C4, C15, C24, C36	20	22uF/35V__F2522124__TDK C3216X5R1V226M160AC
13	RG-OFF, RG-OFF1, RG-OFF2, RG-OFF3, RG-ON, RG-ON1, RG-ON2, RG-ON3	8	2R7__MULTICOMP PRO MCWR12W2R70FTL
14	C1, C2, C3, C11	4	KEMET C4AQPBU4330M11J - 3.3UF, 1.2KV
15	JP1, JP2, JP3, JP4, JP5, JP7, JP8, JP6	8	F1462888__MULTICOMP PRO SPC20484__PIN_Header classic
16	X1, X2, X3, X4	4	F2096224__LPRS SMA RA CONNECTOR
17	K1	1	F2527725__CAMDENBOSS CTBP9350/2
18	PAD1, PAD2, PAD3, PAD4, PAD5, PAD7, PAD8, PAD9, PAD11, PAD15, PAD19, PAD20, PAD21, PAD22, PAD24, PAD28, PAD29, PAD30, PAD31, PAD33, GND3, GND8, GND9, GND17, GND18, GND19, GND27, GND28, GND29, GND37, GND38, GND39, LSP5, LSP9, LSP28, LSP31, LSP34	37	F2691435__ETTINGER 013.14.119
19	DR1, DR2, DR3, DR4	4	F3010447__onsemi NCD57000DWR2G
20	DC/DC1, DC/DC2, DC/DC3, DC/DC5	4	F4072502__CUI VQA3S-S5-D18-S + F1629138_FISCHER ELEKTRONIK MK 221 100 Z
21	CON1	1	WURTH ELEKTRONIK 61200621621
22	U\$1	1	onsemi NXH008T120M3F2PTHG
23	U\$6, U\$7, U\$8, U\$9, U\$19, U\$27, U\$28	7	Staubli MultiContact - S2D_42.0062
24	U\$17, U\$22, U\$23, U\$24, U\$25, U\$26	6	KEMET C4AQQEW5450M3AJ
25	PCB	1	PCB

Schematic

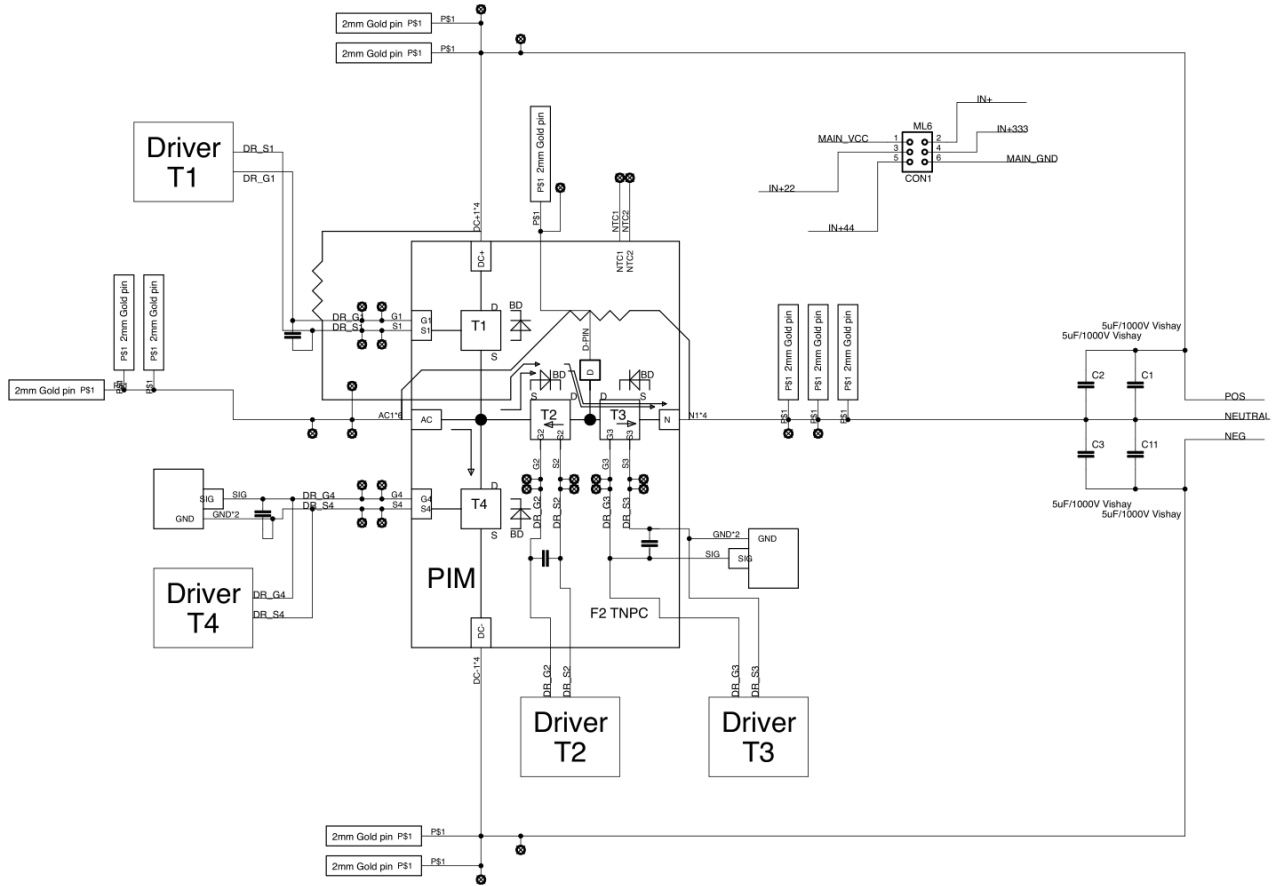


Figure 11. Schematic

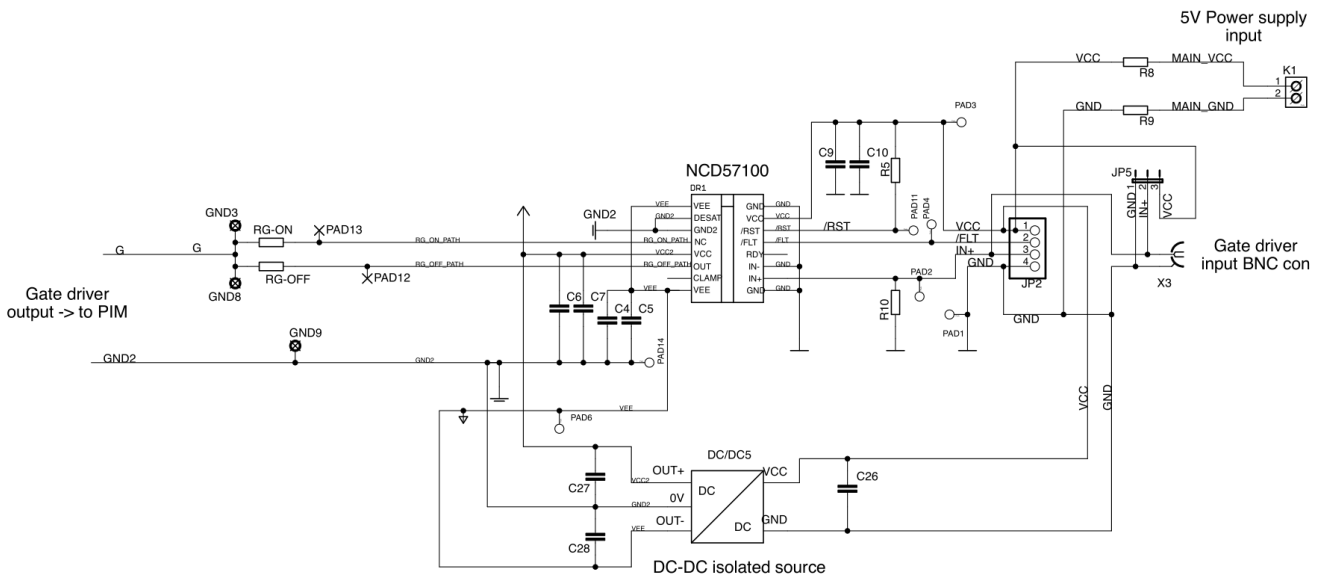


Figure 12. Driver Block T1-T4

PCB Layout (Layers Views)

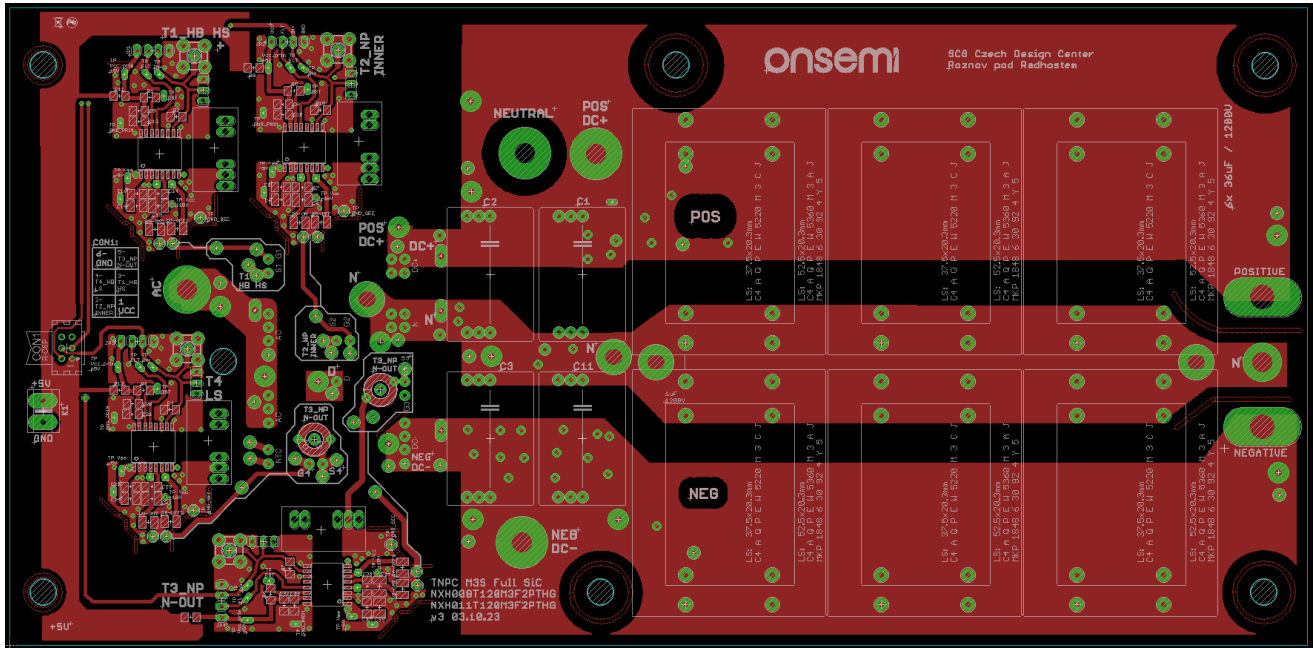


Figure 13. Top Layer

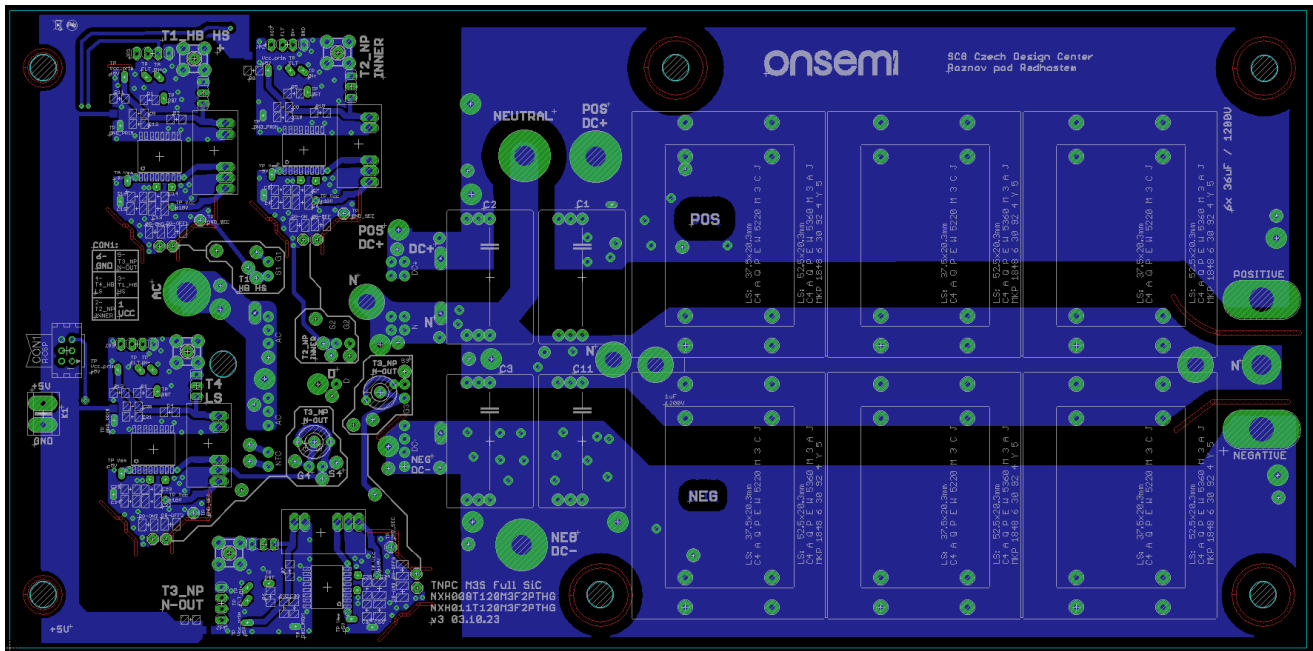


Figure 14. Bottom Layer

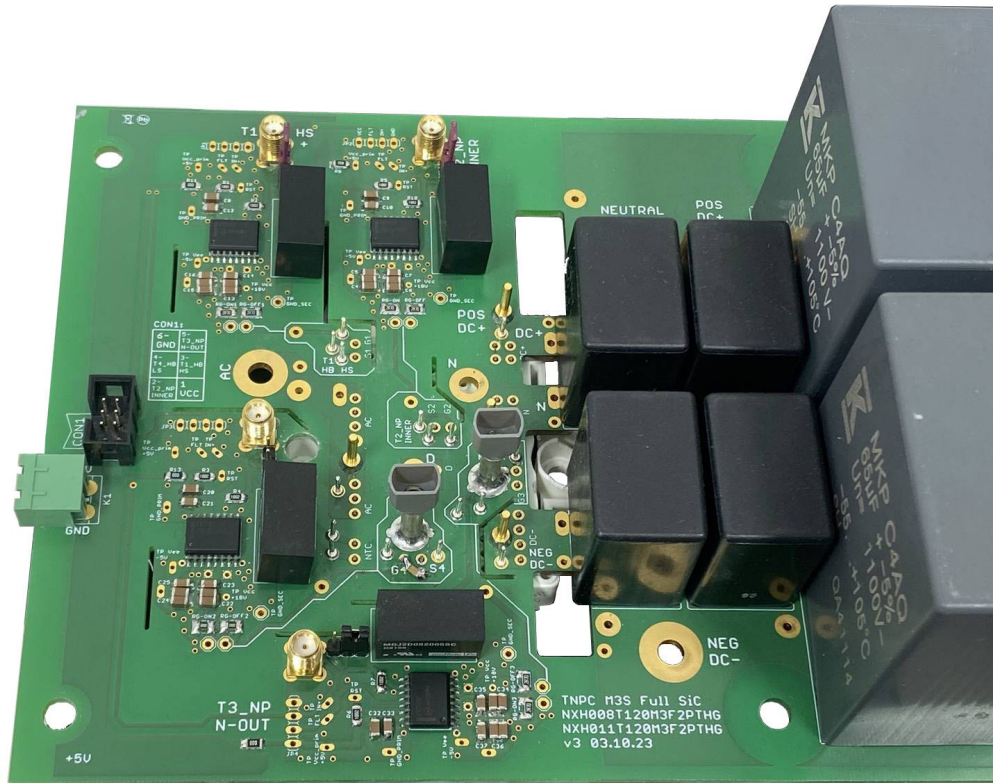


Figure 15.

onsemi, **Onsemi**, and other names, marks, and brands are registered and/or common law trademarks of Semiconductor Components Industries, LLC dba "**onsemi**" or its affiliates and/or subsidiaries in the United States and/or other countries. **onsemi** owns the rights to a number of patents, trademarks, copyrights, trade secrets, and other intellectual property. A listing of **onsemi**'s product/patent coverage may be accessed at www.onsemi.com/site/pdf/Patent-Marking.pdf. **onsemi** is an Equal Opportunity/Affirmative Action Employer. This literature is subject to all applicable copyright laws and is not for resale in any manner.

The evaluation board/kit (research and development board/kit) (hereinafter the "board") is not a finished product and is not available for sale to consumers. The board is only intended for research, development, demonstration and evaluation purposes and will only be used in laboratory/development areas by persons with an engineering/technical training and familiar with the risks associated with handling electrical/mechanical components, systems and subsystems. This person assumes full responsibility/liability for proper and safe handling. Any other use, resale or redistribution for any other purpose is strictly prohibited.

THE BOARD IS PROVIDED BY ONSEMI TO YOU "AS IS" AND WITHOUT ANY REPRESENTATIONS OR WARRANTIES WHATSOEVER. WITHOUT LIMITING THE FOREGOING, ONSEMI (AND ITS LICENSORS/SUPPLIERS) HEREBY DISCLAIMS ANY AND ALL REPRESENTATIONS AND WARRANTIES IN RELATION TO THE BOARD, ANY MODIFICATIONS, OR THIS AGREEMENT, WHETHER EXPRESS, IMPLIED, STATUTORY OR OTHERWISE, INCLUDING WITHOUT LIMITATION ANY AND ALL REPRESENTATIONS AND WARRANTIES OF MERCHANTABILITY, FITNESS FOR A PARTICULAR PURPOSE, TITLE, NON-INFRINGEMENT, AND THOSE ARISING FROM A COURSE OF DEALING, TRADE USAGE, TRADE CUSTOM OR TRADE PRACTICE.

onsemi reserves the right to make changes without further notice to any board.

You are responsible for determining whether the board will be suitable for your intended use or application or will achieve your intended results. Prior to using or distributing any systems that have been evaluated, designed or tested using the board, you agree to test and validate your design to confirm the functionality for your application. Any technical, applications or design information or advice, quality characterization, reliability data or other services provided by **onsemi** shall not constitute any representation or warranty by **onsemi**, and no additional obligations or liabilities shall arise from **onsemi** having provided such information or services.

onsemi products including the boards are not designed, intended, or authorized for use in life support systems, or any FDA Class 3 medical devices or medical devices with a similar or equivalent classification in a foreign jurisdiction, or any devices intended for implantation in the human body. You agree to indemnify, defend and hold harmless **onsemi**, its directors, officers, employees, representatives, agents, subsidiaries, affiliates, distributors, and assigns, against any and all liabilities, losses, costs, damages, judgments, and expenses, arising out of any claim, demand, investigation, lawsuit, regulatory action or cause of action arising out of or associated with any unauthorized use, even if such claim alleges that **onsemi** was negligent regarding the design or manufacture of any products and/or the board.

This evaluation board/kit does not fall within the scope of the European Union directives regarding electromagnetic compatibility, restricted substances (RoHS), recycling (WEEE), FCC, CE or UL, and may not meet the technical requirements of these or other related directives.

FCC WARNING – This evaluation board/kit is intended for use for engineering development, demonstration, or evaluation purposes only and is not considered by **onsemi** to be a finished end product fit for general consumer use. It may generate, use, or radiate radio frequency energy and has not been tested for compliance with the limits of computing devices pursuant to part 15 of FCC rules, which are designed to provide reasonable protection against radio frequency interference. Operation of this equipment may cause interference with radio communications, in which case the user shall be responsible, at its expense, to take whatever measures may be required to correct this interference.

onsemi does not convey any license under its patent rights nor the rights of others.

LIMITATIONS OF LIABILITY: **onsemi** shall not be liable for any special, consequential, incidental, indirect or punitive damages, including, but not limited to the costs of requalification, delay, loss of profits or goodwill, arising out of or in connection with the board, even if **onsemi** is advised of the possibility of such damages. In no event shall **onsemi**'s aggregate liability from any obligation arising out of or in connection with the board, under any theory of liability, exceed the purchase price paid for the board, if any.

The board is provided to you subject to the license and other terms per **onsemi**'s standard terms and conditions of sale. For more information and documentation, please visit www.onsemi.com.

ADDITIONAL INFORMATION

TECHNICAL PUBLICATIONS:

Technical Library: www.onsemi.com/design/resources/technical-documentation
onsemi Website: www.onsemi.com

ONLINE SUPPORT: www.onsemi.com/support

For additional information, please contact your local Sales Representative at www.onsemi.com/support/sales