



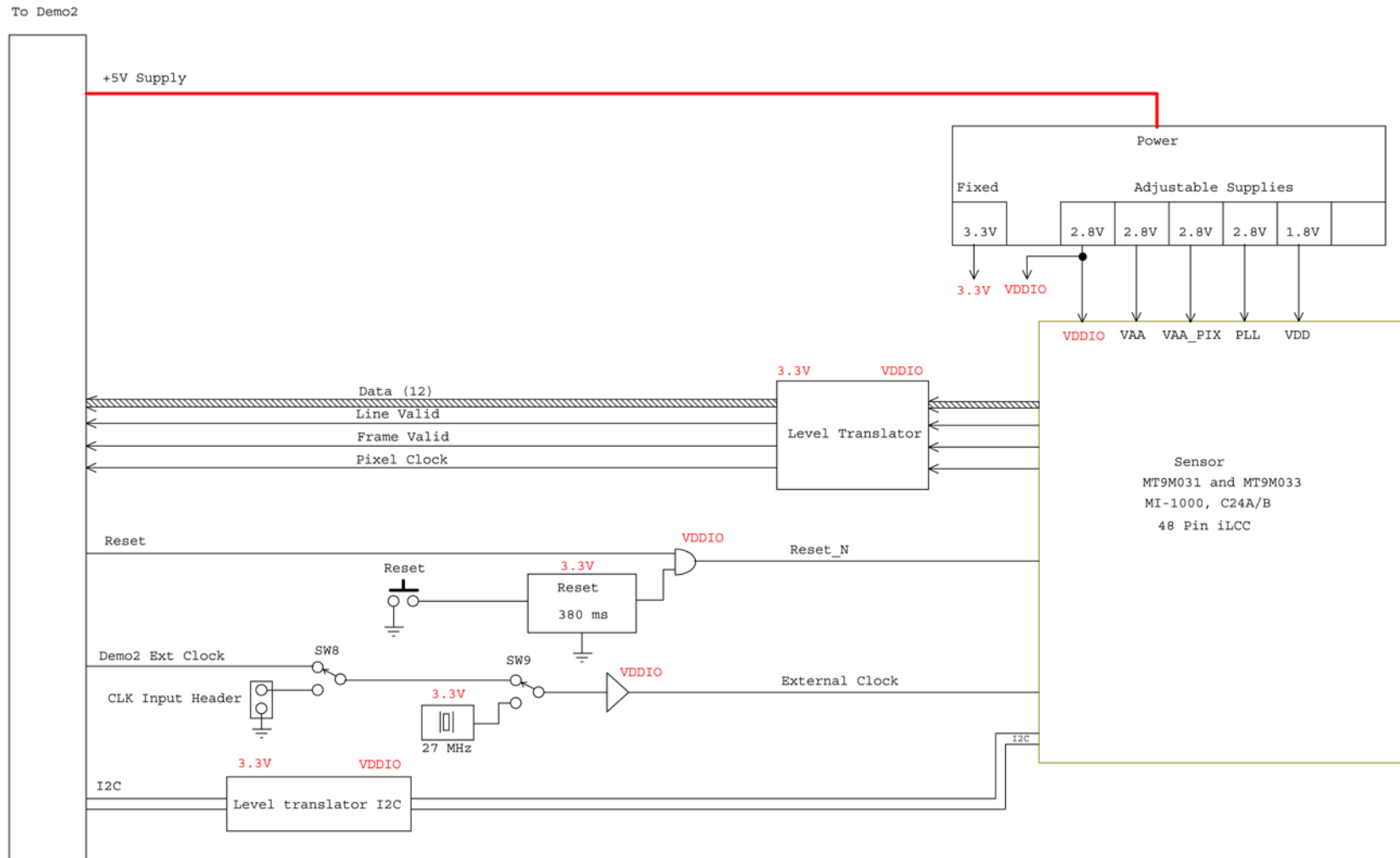
Schematic for the AR0130CSSM00SPCAH-S213A-GEVB Evaluation Board

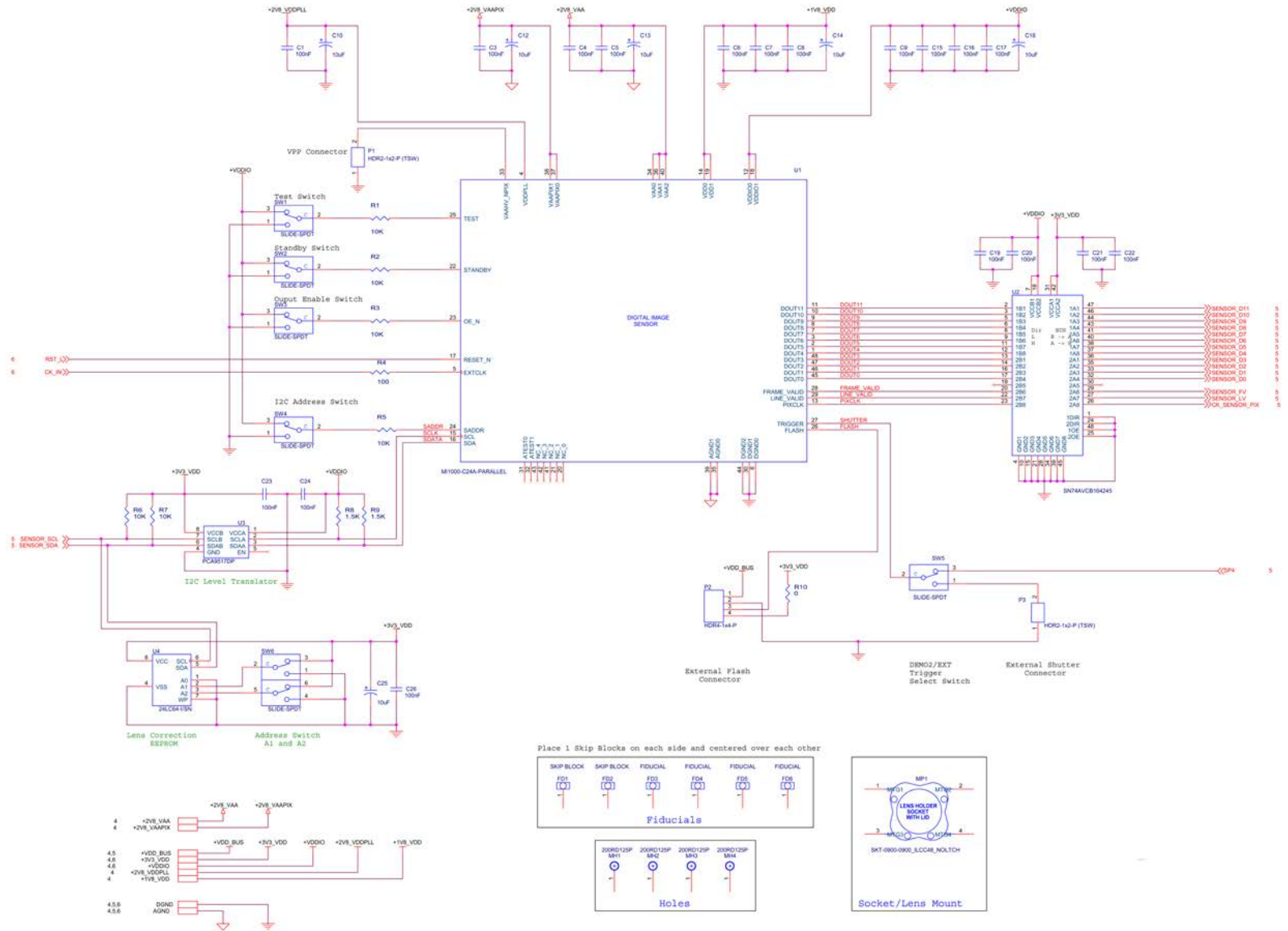
MT9M031 iLCC Parallel and MT9M033 iLCC Parallel

Page	Description
1	Title Page
2	Block Diagram
3	Sensor
4	Power Supply
5	External Interface
6	Clock and Reset

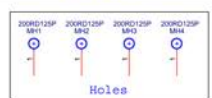
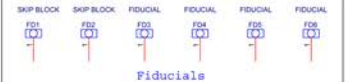
Rev	Who	Date	Description
Rev 0	PT	04/20/2009	First Release

Block Diagram - MT9M031 ILCC and MT9M033 ILCC PARALLEL



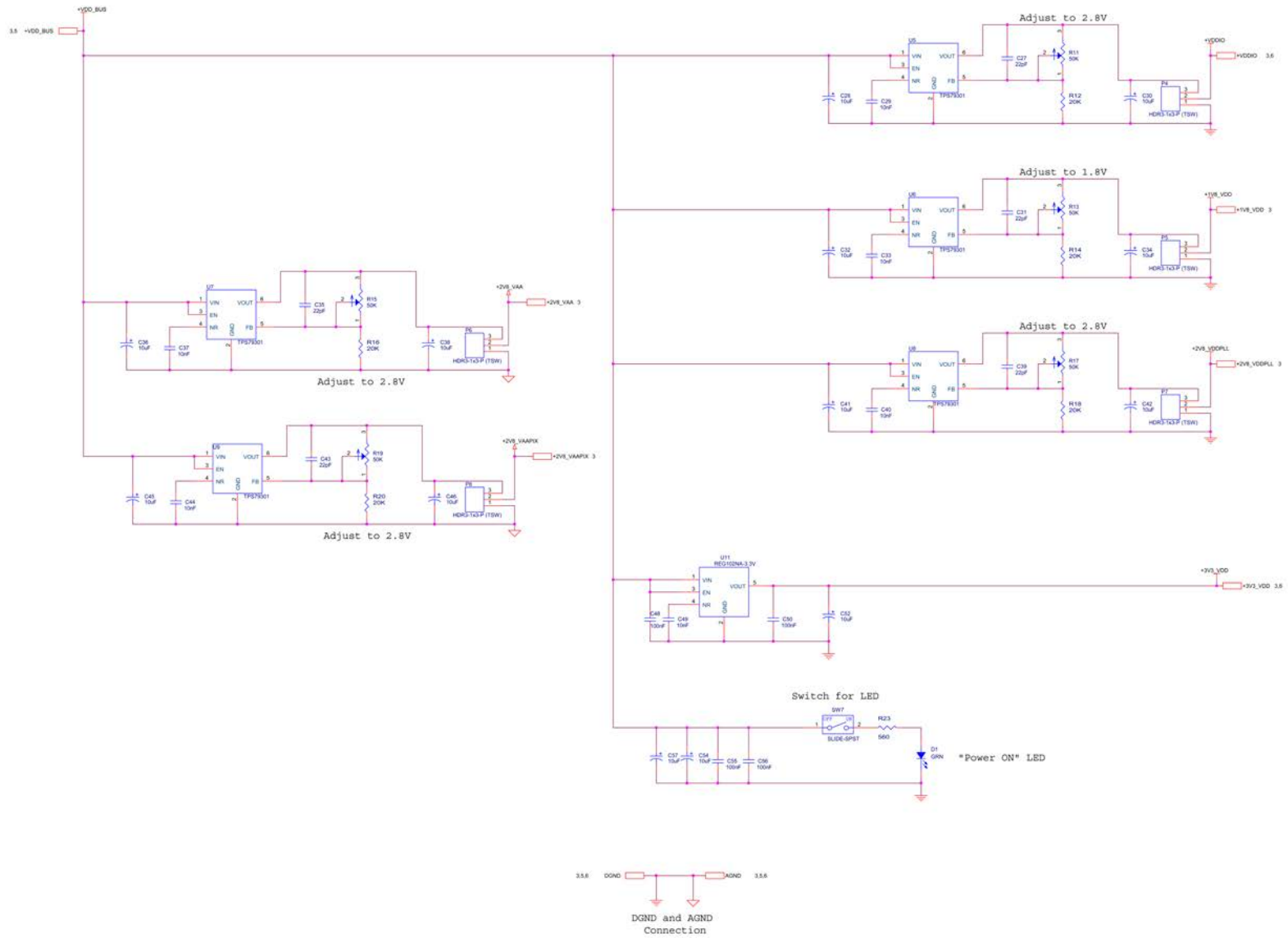


Place 1 Skip Block on each side and centered over each other



Analog

Digital





Headboard Interface

