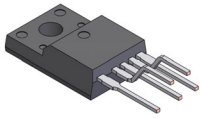


MECHANICAL CASE OUTLINE

PACKAGE DIMENSIONS

ON Semiconductor®

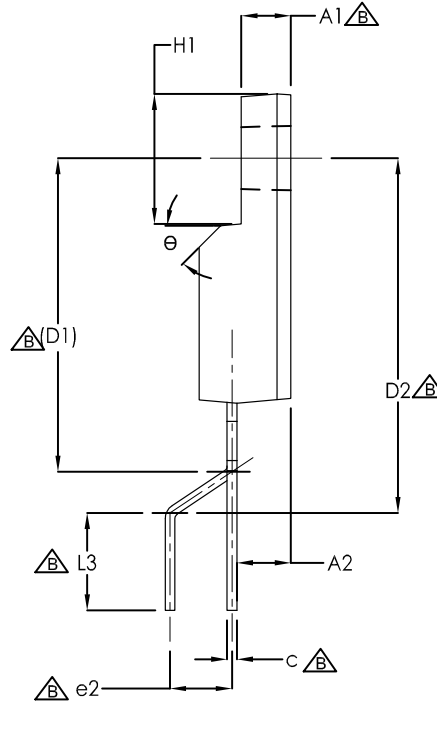
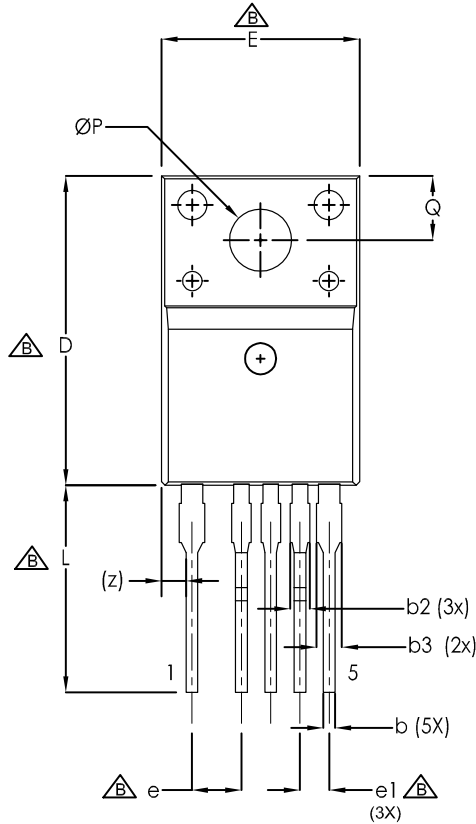


TO-220- FULLPAK 5LD LF

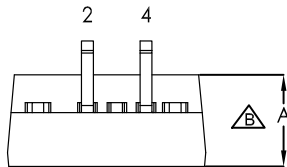
CASE 340BH

ISSUE A

DATE 22 JUL 2021



DIM	MILLIMETERS		
	MIN.	NOM.	MAX.
A	4.50	4.70	4.90
A1	2.34	2.54	2.74
A2	2.56	2.76	2.96
b	0.50	0.60	0.70
b2	--	--	1.00
b3	--	--	1.30
c	0.45	0.53	0.60
D	15.67	15.87	16.07
D1	16.08 REF		
D2	17.70	18.20	18.70
E	9.96	10.16	10.36
e	2.54 BSC		
e1	1.50 BSC		
e2	2.88	3.18	3.48
H1	6.48	6.68	6.88
L	10.13	10.63	11.13
L3	4.50	5.00	5.50
P	3.08	3.18	3.28
Q	3.20	3.30	3.40
z	1.50 BSC		
θ	--	--	45°



NOTES:

- A. EXCEPT WHERE NOTED CONFORMS TO EIAJ SC91A.
- B** DOES NOT COMPLY EIAJ STD. VALUE.
- C. ALL DIMENSIONS ARE IN MILLIMETERS.
- D. DIMENSIONS ARE EXCLUSIVE OF BURRS, MOLD FLASH AND TIE BAR PROTRUSIONS.
- E. DIMENSION AND TOLERANCE AS PER ASME Y14.5-1994.
- F. DRAWING FILE NAME: TO220C05REV2

DOCUMENT NUMBER:	98AON13841G	Electronic versions are uncontrolled except when accessed directly from the Document Repository. Printed versions are uncontrolled except when stamped "CONTROLLED COPY" in red.
DESCRIPTION:	TO-220 FULLPAK 5LD LF	PAGE 1 OF 1

ON Semiconductor and are trademarks of Semiconductor Components Industries, LLC dba ON Semiconductor or its subsidiaries in the United States and/or other countries. ON Semiconductor reserves the right to make changes without further notice to any products herein. ON Semiconductor makes no warranty, representation or guarantee regarding the suitability of its products for any particular purpose, nor does ON Semiconductor assume any liability arising out of the application or use of any product or circuit, and specifically disclaims any and all liability, including without limitation special, consequential or incidental damages. ON Semiconductor does not convey any license under its patent rights nor the rights of others.