

产品概览

NCP1392: MOSFET 驱动器，高电压，半桥，带内置振荡器

欲看完整文档，请参阅数据表。

NCP1392B 是一款自振荡高电压 MOSFET 驱动器，主要用于使用半桥拓扑结构的应用。由于其专属高电压技术，该驱动器接受最高 600 V 的大电压。使用一个电阻器，可将该驱动器的运行频率从 25 kHz 调节至 480 kHz。可调节欠电压保护可确保正确的大电压运行范围。内部 100 ms PFC 延迟计时器可保证主要的下游转换器在大电压完全稳定时打开。该器件提供固定死区时间，有助于降低击穿电流。

特性

- Minimum frequency adjust accuracy 3 %
- Brown-out input
- 100 ms PFC delay timer
- 1 A / 0.5 A Peak Current Sink / Source Drive
- Fixed Dead Time Available in 0.3 us, 0.6 us, & 1.1 us

应用

- Flat Panel Display Power Converter
- High Power AC/DC Adapters
- Offline Battery Chargers
- Lamp Ballasts

优势

- Keeps the converter in the right region & simplifies design
- Simple PFC association, design flexibility
- Allows PFC bulk voltage to stabilize before device operation
- High gate drive capability
- Design flexibility, prevents shoot-through currents and allows body diode to discharge

终端产品

- LCD TVs
- Notebook Adapters
- Lighting

器件电气规格

产品	Pricing (\$/Unit)	Compliance	Status	Power Switch	Number of Outputs	Topology	Isolation Type	V _{in} Max (V)	V _{CC} Max (V)	Drive Source / Sink Typ (mA)	Rise Time (ns)	Fall Time (ns)	t _o Max (ns)	Package Type
NCP1392BDR2G	0.4133	Pb-free Halide free	Active	MOSFET	2	Half-Bridge	Junction Isolation	-	16	500 / 1000	40	20	500	SOIC-8
NCP1392DDR2G	0.4133	Pb-free Halide free	Active	MOSFET	2	Half-Bridge	Junction Isolation	-	16	500 / 1000	40	20	500	SOIC-8

应用框图

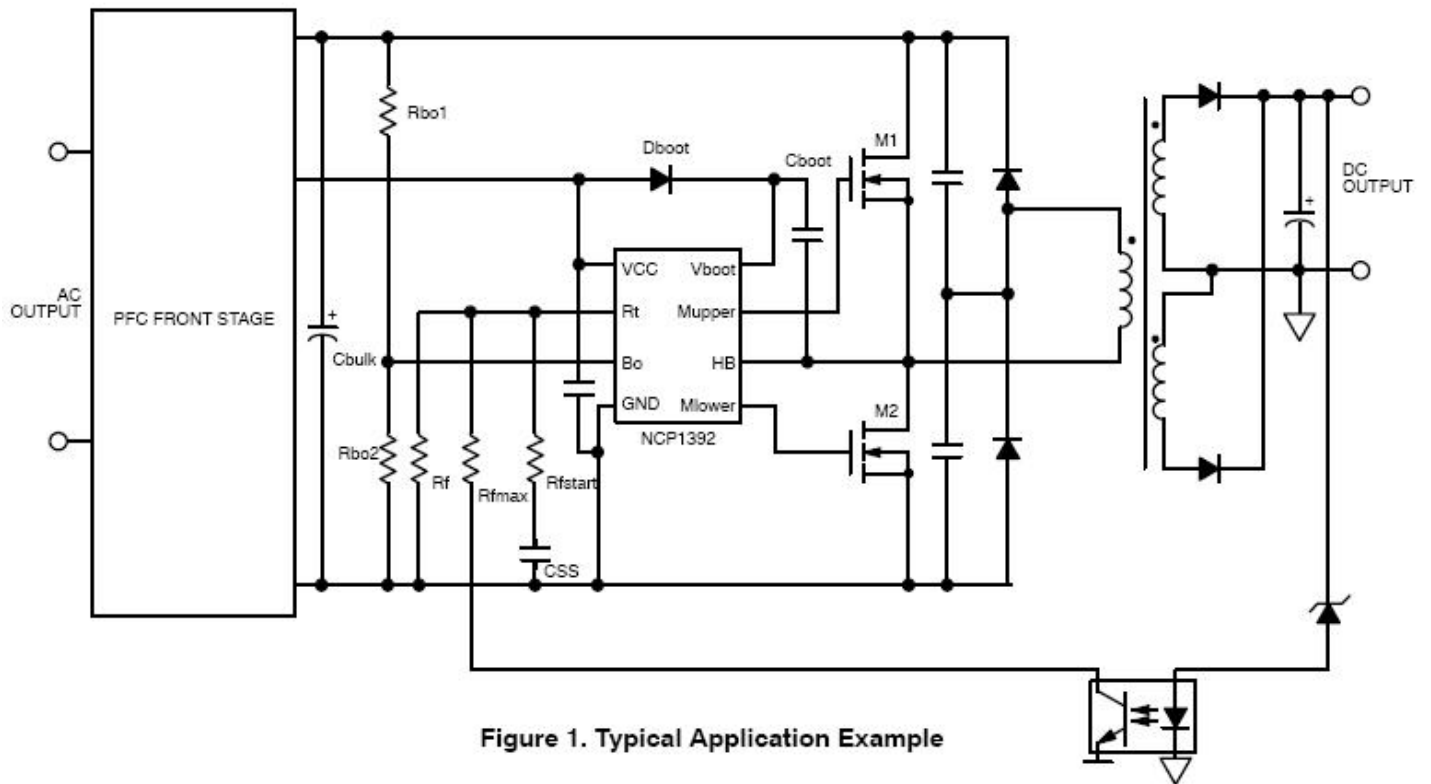


Figure 1. Typical Application Example

欲了解更多信息，请联系您当地的销售支援 www.onsemi.cn。

创建于：4/4/2020