

产品概览

NCP5304: MOSFET / IGBT 驱动器，高压，高压和低压侧，双输入

欲看完整文档，请参阅数据表。

NCP5304 是一款高压功率门极驱动器驱动器，提供两种输出，用于半桥配置中的 2 个 N 沟道功率 MOSFET 或 IGBT 的直接驱动。它使用自举技术来确保高压侧电源开关的正确驱动。该驱动器使用 2 个独立输入，带交叉导通保护。

特性

- High Voltage Range: Up to 600V
- dV/dt Immunity ± 50 V/ns
- Gate Drive Supply Range from 10 V to 20 V
- High and Low Drive Outputs
- Output Source / Sink Current Capability 250 mA / 500 mA
- 3.3 V and 5 V Input Logic Compatible
- Up to Vcc Swing on Input Pins
- Matched Propagation Delays Between Both Channels
- Outputs in Phase with the Inputs
- Cross Conduction Protection with 100ns Internal Fixed Dead Time

For more features, see the data sheet

应用

- Half Bridge Power Converters
- Full Bridge Converters

器件电气规格

产品	Pricing (\$/Unit)	Compliance	Status	Power Switch	Number of Outputs	Topology	Isolation Type	V _{in} Max (V)	V _{cc} Max (V)	Drive Source / Sink Typ (mA)	Rise Time (ns)	Fall Time (ns)	t _p Max (ns)	Package Type
NCP5304DR2G	0.7392	Pb-free Halide free	Active	MOSFET / IGBT	2	Half-Bridge	Junction Isolation	600	23	250 / 500	85	35	170	SOIC-8

应用框图

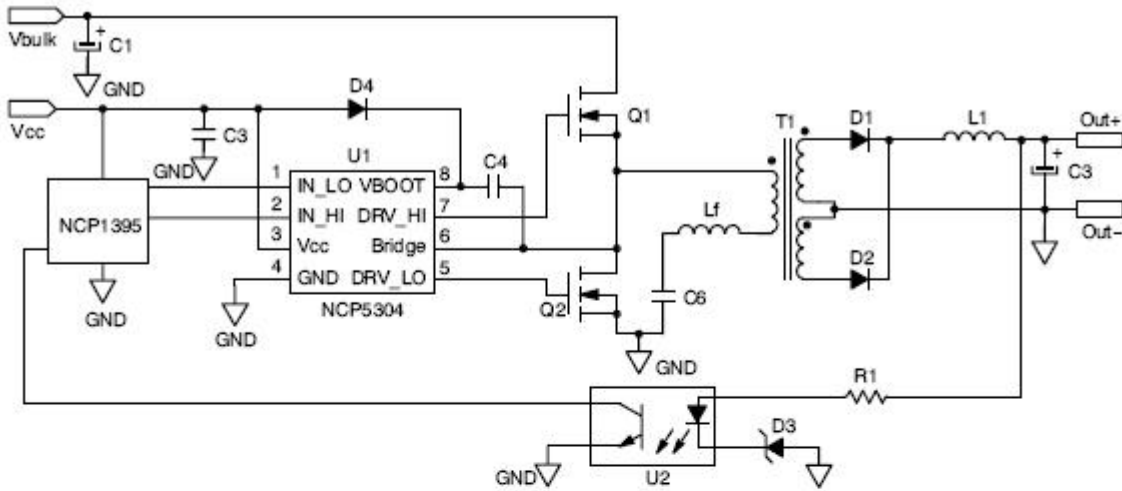


Figure 1. Typical Application Resonant Converter (LLC type)

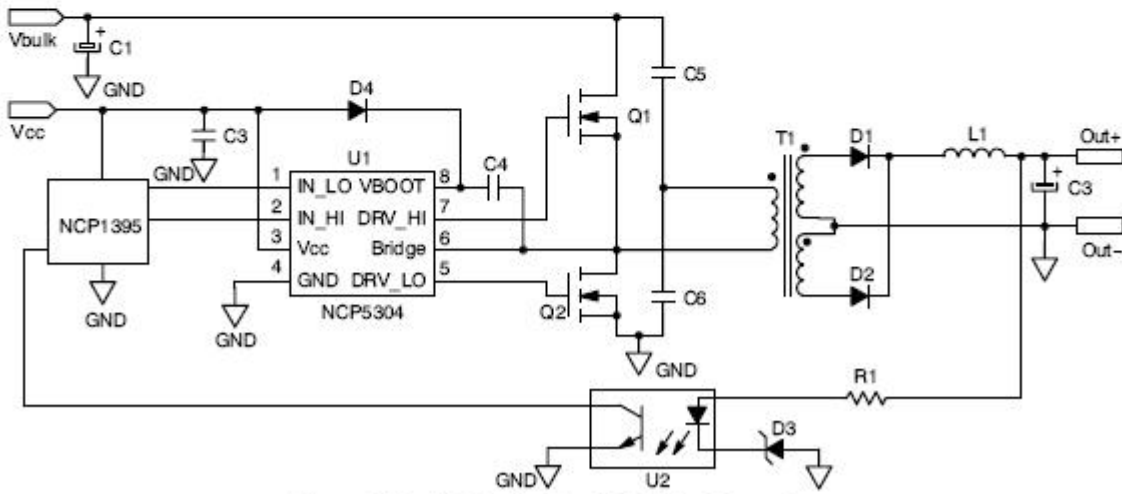


Figure 2. Typical Application Half Bridge Converter

欲了解更多信息，请联系您当地的销售支援 www.onsemi.cn。

创建于：8/5/2020