

## 产品概览

### NCN8026: 智能卡接口，低功率

欲看完整文档，请参阅数据表。

NCN8026A 是一款紧凑且经济高效的单 SIM 和智能卡接口集成电路。它可以用于 1.8 V、3 V 和 5 V IC 卡。该卡 VCC 电源通过内置的极低漏和低噪声稳压器提供。NCN8026A 在负载瞬变条件下具有低 VCC 输出纹波，极低关断电流和兼容 1.8 V- 5 V 逻辑电平的增强性能。该器件完全符合 ISO 7816-3、EMV 4.2、UICC，以及 STB 标准（Nagravision、Irdeto...）等相关标准。它满足对机顶盒（STB）或条件访问模块（CAM）进行条件访问的规定要求。此智能卡接口集成电路采用 QFN-24 封装，提供了 STB 智能卡接口通常所需的所有行业标准功能。

### 特性

- Single IC Card Interface
- Fully Compatible with ISO7816-3, EMV4.3, UICC and Related Standards Including STB Standards (Nagravision, Conax, Irdeto...)
- Three Bidirectional Buffered I/O Level Shifters (C4, C7 and C8)
- 1.8 V, 3 V or 5 V  $\pm 5\%$  Regulated Card Power Supply with ICC  $\leq 80$  mA and Low VCC Ripple
- Regulator Power Supply: VDDP = 2.7 V to 5.5 V (@ 1.8 V), 3 V to 5.5 V (@ 3 V) and 4.85 V to 5.5 V (@ 5 V)
- Independent Power Supply range on Controller Interface such as VDD = 1.6 V to 5.5 V
- Handles Class A, B and C Smart Cards
- Support up to 27 MHz input Clock with Internal Division Ratio 1/1, 1/2, 1/4 and 1/8 through CLKDIV1 and CLKDIV2
- HBM (Human Body Model) ESD Protection on Card Pins up to +8 kV
- Activation / Deactivation Sequences (ISO7816 Sequencer)

For more features, see the data sheet

### 应用

- Pay TV, Set Top Box Decoder with Conditional Access and Pay-per-View
- Conditional Access Module (CAM / CAS)
- SIM card interface applications (UICC / USIM)
- Electronic Payment and Identification

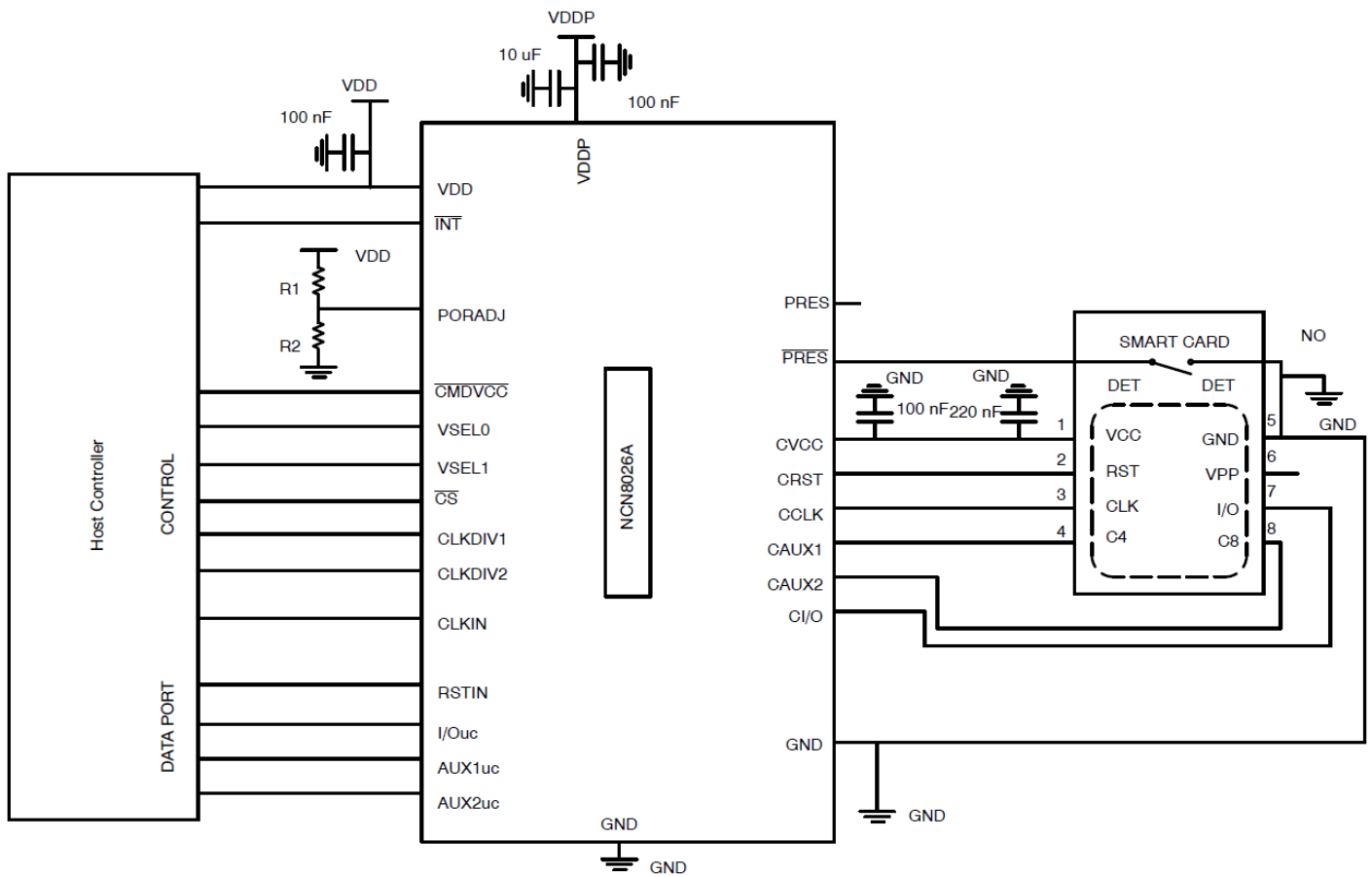
### 终端产品

- Set Top Boxes
- Point Of Sales and Transaction Terminals

### 器件电气规格

产品	Pricing (\$/Unit)	Compliance	Status	V <sub>CC</sub> Min (V)	V <sub>CC</sub> Max (V)	I <sub>T</sub> Typ (mA)	I <sub>I(standby)</sub> Max ( $\mu$ A)	f <sub>clock</sub> Max (MHz)	Package Type
NCN8026AMNTXG	0.29	Pb-free Halide free non AEC-Q and PPAP	Active	1.6	5.5	1	3	27	QFN-24

# 应用框图



欲了解更多信息，请联系您当地的销售支援 [www.onsemi.cn](http://www.onsemi.cn)。

创建于：3/5/2021