

产品概览

NCP1075: 用于离线 SMPS 的高电压开关稳压器

欲看完整文档，请参阅数据表。

NCP1072 / NCP1075 产品集成了固定频率电流模式控制器和 700 V MOSFET。NCP1072/5 采用 PDIP-7 或 SOT-223 封装，提供了高水平的集成，包括软启动、频率抖动、短路保护、跳过周期、最大峰值电流设定点、斜坡补偿以及动态自供电（无需辅助绕组）。与其他单片方案不同，NCP1072/5 具有无噪音特性：在正常负载运行期间，在某个可用频率进行开关的时候（65, 100, 130 kHz）。当输出功率需求消失时，该集成电路将自动进入频率折回模式，在轻负载下提供卓越能效。当功率需求进一步降低时，它进入跳过模式，将待机功耗降低到无负载条件。保护功能包括：检测过载或短路事件的计时器、带自动恢复的过电压保护，以及交流输入线路电压检测。为了提高待机性能，连接辅助绕组会停止 DSS 运行，有助于将高电平线路的输入功耗降至 50 mW 以下。

特性

- Integrated 700 V MOSFET with RDS(on) of 11 Ω
 - Current-Mode Fixed Frequency Operation (65/100/130 kHz)
 - Peak Current: NCP1072 = 250mA / NCP1075 = 450 mA
 - Skip-Cycle Operation at Low Peak Current
 - Dynamic Self-Supply (DSS)
 - Auto-Recovery Output Short Circuit Protection with Timer-Based Detection
 - Frequency Foldback Operation
 - 300 μ A No Load Power Consumption
 - Frequency Jittering (including during frequency foldback mode)
 - AC Input Voltage Line Detection
- For more features, see the data sheet

优势

- Up to 20W output SMPS design capability
- Ability to scale for efficiency or size
- Adjust output current protection based on output power demand
- Eliminate acoustic noise
- Eliminate Aux winding
- Provides more robust protection without worrying about the coupling of the aux winding
- Improved efficiency at light load / Improved EMI over the entire load
- <50mW no Load Power Consumption
- Better EMI Signature Over the Entire Operating Range
- Enhanced Protection Against Faults With Low Input Voltage

应用

- Auxiliary Supply
- Isolated Standby Power Supply

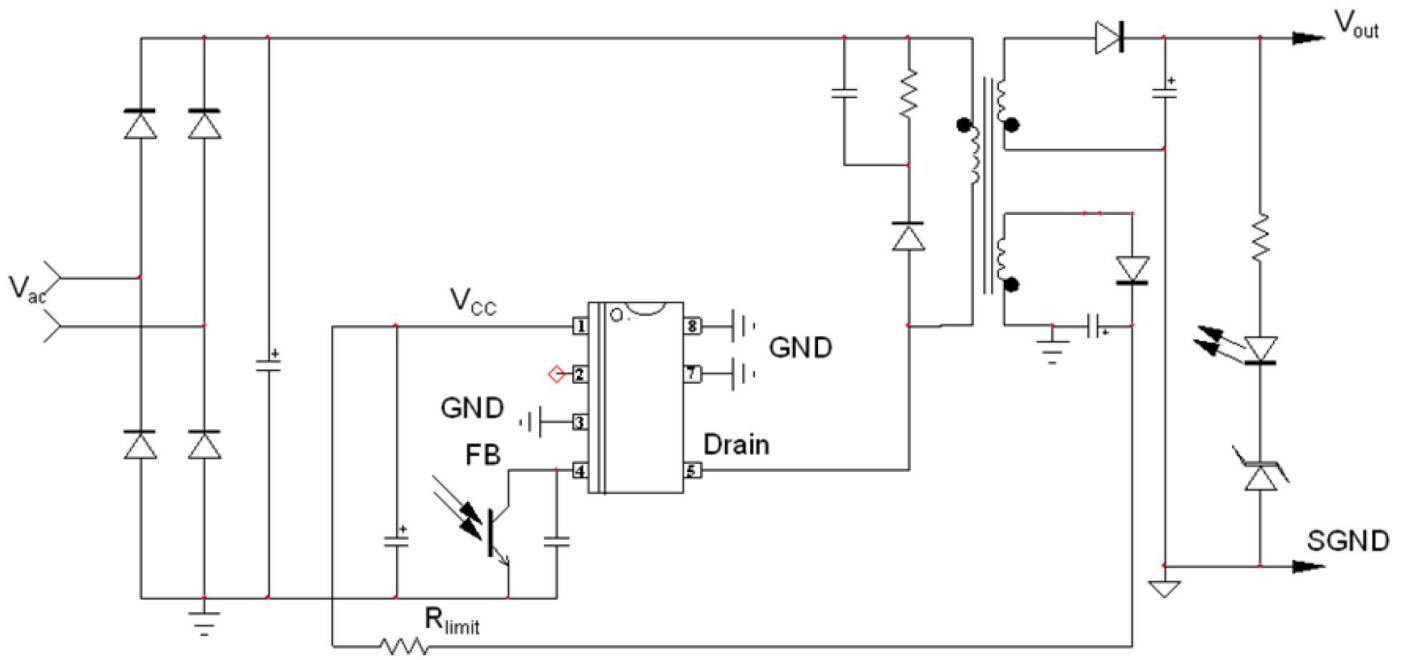
终端产品

- White Goods
- Smart Meter / E-Meter
- LED Drivers

器件电气规格

产品	Pricing (\$/Unit)	Compliance	Status	Control Mode	f _{sw} Typ (kHz)	f _{jitter} Typ (%)	Stand-by Mode	R _{DS(on)} Typ (Ω)	V _{DSS Max} (V)	I _{Peak} (mA)	HV Start-up Min (V)	DSS (mA)	UVLO	Short Circuit Protection	Over Power Compensation	Brown-out	Latch	Package Type
NCP1075P065G	0.5176	Pb-free Halide free	Active	Current Mode	65	Yes	Yes	11	700	450	Yes	8	6.3	Yes	No	No	No	PDIP-7
NCP1075P100G	0.5176	Pb-free Halide free	Active	Current Mode	100	Yes	Yes	11	700	450	Yes	8	6.3	Yes	No	No	No	PDIP-7
NCP1075P130G	0.5435	Pb-free Halide free	Active	Current Mode	130	Yes	Yes	11	700	450	Yes	8	6.3	Yes	No	No	No	PDIP-7
NCP1075STAT3G	0.5176	Pb-free Halide free	Active	Current Mode	65	Yes	Yes	11	700	450	Yes	8	6.3	Yes	No	No	No	
NCP1075STBT3G	0.5176	Pb-free Halide free	Active	Current Mode	100	Yes	Yes	11	700	450	Yes	8	6.3	Yes	No	No	No	
NCP1075STCT3G	0.5176	Pb-free Halide free	Active	Current Mode	130	Yes	Yes	11	700	450	Yes	8	6.3	Yes	No	No	No	

应用框图



欲了解更多信息，请联系您当地的销售支援 www.onsemi.cn。

创建于：7/4/2020