

产品概览

NCV8871: 非同步升压控制器，汽车级

欲看完整文档，请参阅数据表。



NCV8871 是一款可调节输出非同步升压控制器，驱动外部 N 沟道 MOSFET。该器件使用峰值电流模式控制，带有内部斜率补偿。该集成电路结合了为门极驱动器提供电荷的内部稳压器。保护功能包括内部设置软启动、欠压锁定、按周期电流限制、间歇模式短路保护和高温关断。其他功能包括低静止电流睡眠模式和外部可同步开关频率。

特性

- Peak Current Mode Control with Internal Slope Compensation
- 1.2 V 2% Reference voltage
- Wide Input Voltage Range of 3.2 V to 40 Vdc, 45 V Load Dump
- Input undervoltage lockout (UVLO)
- Internal SoftStart
- Low quiescent current in sleep mode
- Cycle-by-cycle current limit protection
- Hiccup-mode short-circuit protection (SCP)
- Thermal shutdown (TSD)

应用

- Start-Stop systems
- SEPIC (Non-inverting Buck Boost)
- Direct Gas Injection

优势

- Good transient response over a wide input voltage and load range
- Accurate voltage regulation
- Works in a wide variety of applications
- Disables start up in undervoltage conditions
- Decreases inrush current
- Very low off current
- Protects against over current conditions
- Protects against short circuit faults
- Thermally protects IC

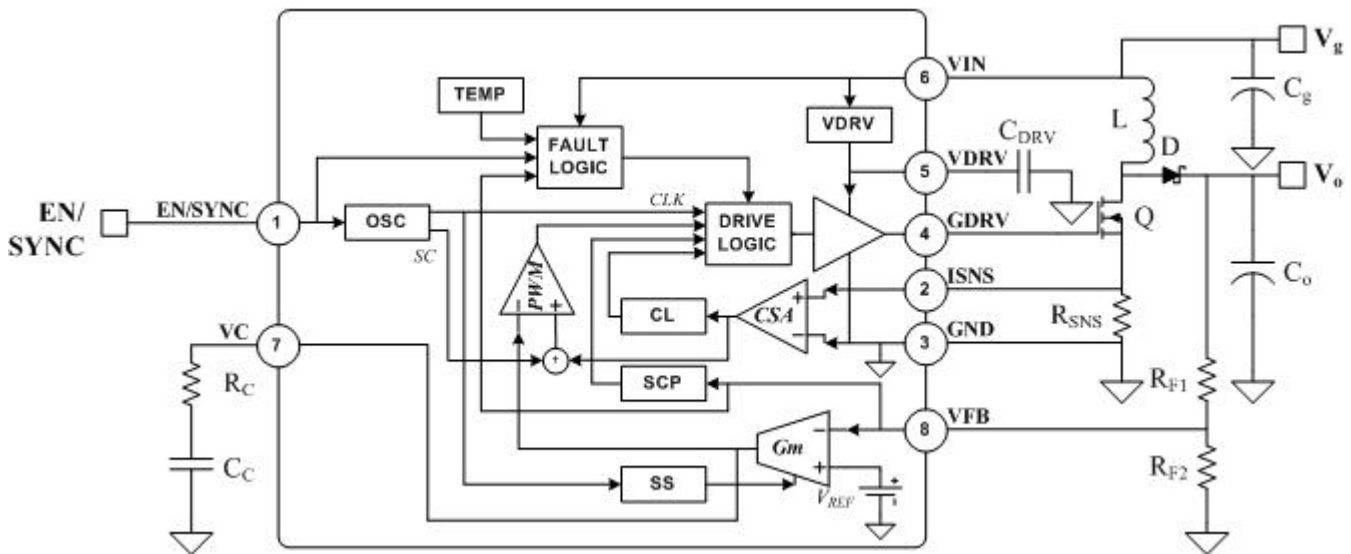
终端产品

- Automotive Systems

器件电气规格

产品	Pricing (\$/Unit)	Compliance	Status	Topology	Phases	Control Mode	V _{CC} Min (V)	V _{CC} Max (V)	f _{SW} Typ (kHz)	Package Type
NCV887100D1R2G	1.1	AEC Qualified PPAP Capable Pb-free Halide free	Active	Step-Up	1	Current Mode	3.2	44	170	SOIC-8
NCV887101D1R2G	1.1	AEC Qualified PPAP Capable Pb-free Halide free	Active	Step-Up	1	Current Mode	3.2	44	1000	SOIC-8
NCV887102D1R2G	1.1	AEC Qualified PPAP Capable Pb-free Halide free	Active	Step-Up	1	Current Mode	3.2	44	1000	SOIC-8
NCV887103D1R2G	1.1	AEC Qualified PPAP Capable Pb-free Halide free	Active	Step-Up	1	Current Mode	3.2	44	340	SOIC-8
NCV887104D1R2G	1.1	AEC Qualified PPAP Capable Pb-free Halide free	Active	Step-Up	1	Current Mode	3.2	44	340	SOIC-8
NCV887105D1R2G	1.1	AEC Qualified PPAP Capable Pb-free Halide free	Active	Step-Up	1	Current Mode	3.2	44	170	SOIC-8

应用框图



欲了解更多信息，请联系您当地的销售支援 www.onsemi.cn。

创建于：3/28/2020