

产品概览

NCV890100: Automotive Switching Regulator, Buck, 1.2 A, 2 MHz

欲看完整文档，请参阅数据表。

The NCV890100 is a fixed-frequency, monolithic, Buck switching regulator intended for Automotive, battery-connected applications that must operate with up to a 36V input supply. The regulator is suitable for systems with low noise and small form factor requirements often encountered in automotive driver information systems. The NCV890100 is capable of converting the typical 4.5 V to 18 V automotive input voltage range to outputs as low as 3.3 V at a constant switching frequency above the sensitive AM band, eliminating the need for costly filters and EMI countermeasures. The NCV890100 also provides several protection features expected in Automotive power supply systems such as current limit, short-circuit protection and thermal shutdown. In addition, the high switching frequency produces low output voltage ripple even when using small inductor values and an all-ceramic output filter capacitor - forming a space-efficient switching regulator solution.

特性

- 2-MHz Free-Running Switching Frequency
 - Internal N-Channel Power Switch
 - Low VIN Operation Down to 4.5 V
 - High VIN Operation Up to 36 V
 - Withstands Load Dumps to 40 V
 - Logic level Enable Input Can be Directly Tied to Battery
 - 1.4 A (min) Cycle-by-Cycle Peak Current Limit
 - Short-Circuit Protection enhanced by Frequency Foldback
 - $\pm 1.75\%$ Output Voltage Tolerance
 - Output Voltage Adjustable Down to 0.8 V
- For more features, see the data sheet

优势

- Enables the use of small size, low cost inductor and EMC filter

应用

- Audio
- Infotainment
- Safety - Vision Systems
- Dashboards

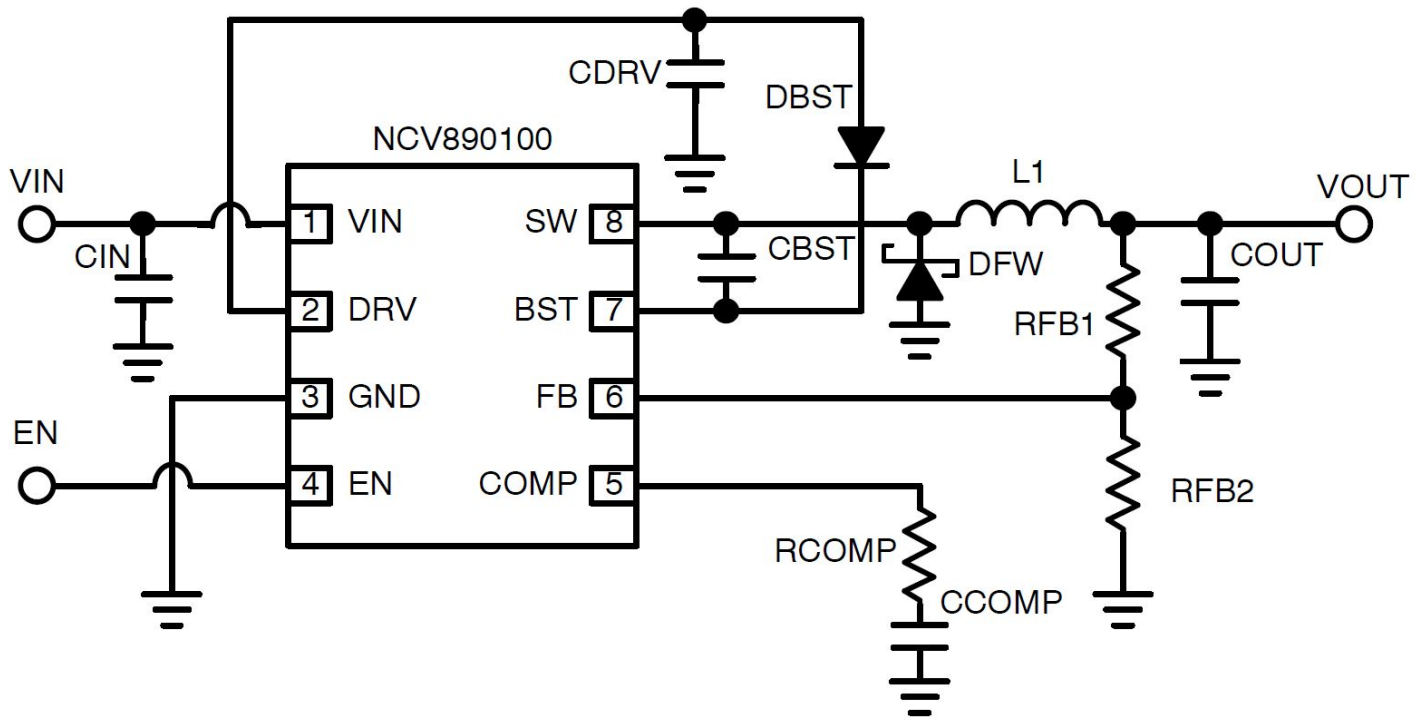
终端产品

- Automotive

器件电气规格

产品	Pricing (\$/Unit)	Compliance	Status	Topology	Control Mode	V _{CC} Min (V)	V _{CC} Max (V)	V _O Typ (V)	I _O Typ (A)	Efficiency (%)	f _{sw} Typ (kHz)	Package Type
NCV890100MWTXG	0.9333	AEC Qualified PPAP Capable Pb-free	Active	Step-Down	Current Mode	4.5	40	Adjustable	1.2	-	2250	DFN-8
NCV890100PDR2G	1.5	AEC Qualified PPAP Capable Pb-free	Active	Step-Down	Current Mode	4.5	40	Adjustable	1.2	-	2250	SOIC-8 EP

应用框图



欲了解更多信息，请联系您当地的销售支援 www.onsemi.cn。

创建于：6/3/2020