

产品概览

LV8713T: 步进电机驱动器，PWM，恒流控制

欲看完整文档，请参阅数据表。

LV8713T 是一款带内置转换器的微步进电机驱动器，方便运行。它支持全步进、半步进、1/16 步进和 1/32 步进分辨率。LV8713T 适用于驱动扫描仪和小型打印机的步进电机。

特性

- Control mode can be set to 2-phase, 1-2 phase, 4W1-2 phase, or 8W1-2 phase
- Microstep can control easily by the CLK-IN input.
- Stand-by Current: 0uA
- TSSOP24 Package
- Single-channel PWM constant-current control stepping motor driver incorporated.
- VM max = 18V
- IO max = 0.8A
- RON = 1.1 (upper and lower total, typical, Ta = 25C)
- A thermal shutdown circuit and a low voltage detecting circuit are built into

应用

- Stepper Motors
- Computing & Peripherals

优势

- Various Step Adjustment Available
- Easy Control for Micro-step Drive
- Low Consumption
- Small Design

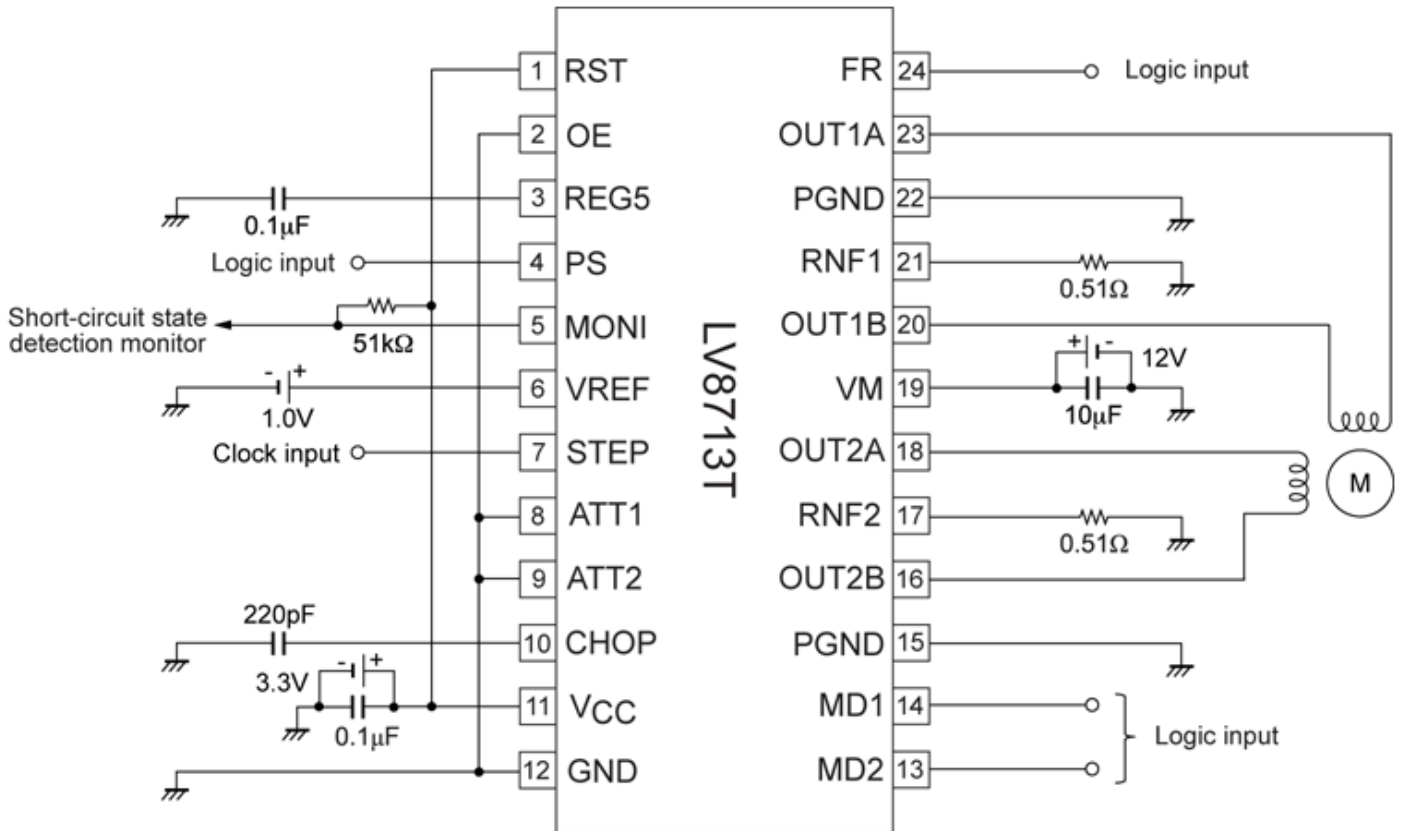
终端产品

- Security Cameras
- Document Scanner
- PoE Point of Sales Terminal
- PoE Security Camera

器件电气规格

产品	Pricing (\$/Unit)	Compliance	Status	V _M Min (V)	V _M Max (V)	V _{CC} Min (V)	V _{CC} Max (V)	I _O Max (A)	I _O Peak Max (A)	Step Resolution	Control Type	Current Sense	Fault Detection	Package Type
LV8713T-TLM-H	2.0333	Pb-free Halide free	Active	4	16	2.7	5.5	0.8	1	1/32	Clock	External Resistor	Thermal UVLO	TSSOP-24

应用框图



The formulae for setting the constants in the examples of the application circuits above are as follows :

Constant current (100%) setting

When $V_{REF} = 1.0V$

$$I_{OUT} = V_{REF}/5/RNF \text{ resistance}$$

$$= 1.0V/5/0.51\Omega = 0.392A$$

Chopping frequency setting

$$F_{chop} = I_{chop}/(C_{chop} \times V_{tchop} \times 2)$$

$$= 10 \mu A / (220pF \times 0.5V \times 2) = 45kHz$$

欲了解更多信息，请联系您当地的销售支援 www.onsemi.cn。

创建于：5/29/2020