

产品概览

LV0104CS: Ambient Light Sensor, I²C Interface

欲看完整文档，请参阅数据表。

LV0104CS is a photo IC for ambient light sensor which has the characteristics of spectral response similar to that of human eyes. It is suitable for the applications like mobile phone (for Digital-TV, One-segment), LCD-TV, laptop computer, PDA, DSC and Camcorder.

特性

- Smallest OD-CSP package in the world(1.08mm x 1.08mm thickness: 0.6mm)
- Superior spectrum sensitivity characteristics
- 16-bit digital output for CODEC by I2C serial bus
- Low consumption current and Sleep mode function

应用

- Ambient Light Sensor

优势

- Space saving
- It resemble human eyesight sensitivity
- It can match to CODEC sensitivity by amplifier's gain adjustment
- Power saving

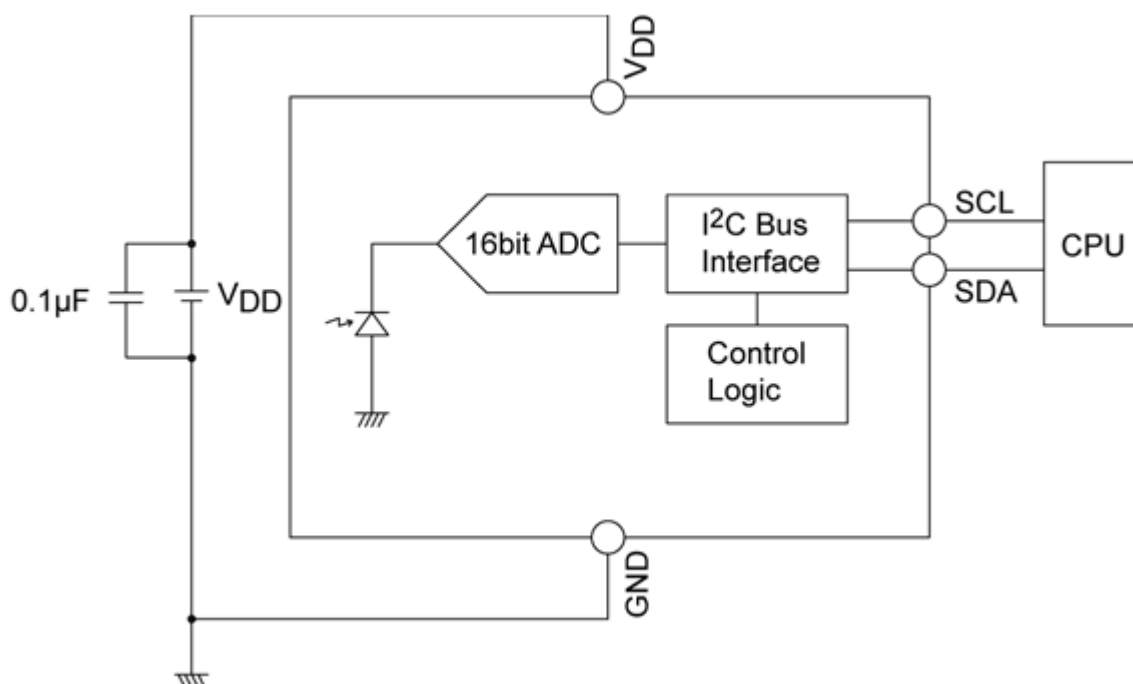
终端产品

- Feature phone, Smart phone
- Digital TV (LCD, OLED, CRT Monitor)
- Laptop-PC, Tablet, PDA
- DSC, DVC, Digital SLR, Mirrorless

器件电气规格

产品	Pricing (\$/Unit)	Compliance	Status	I _o Typ (μA)	Output Interface	V _{in} Min (V)	V _{in} Max (V)	T _A Min (°C)	T _A Max (°C)	Package Type
LV0104CS-TLM-H	0.7	Pb-free Halide free	Active	70	I2C	2.3	3.6	-30	85	ODCSP-4

应用框图



欲了解更多信息，请联系您当地的销售支援 www.onsemi.cn。

创建于：8/14/2020