

## 产品概览

### AR0134CS: CMOS 图像传感器，数字型，全局快门，1.2 MP，1/3"

[欲看完整文档，请参阅数据表。](#)

安森美半导体非常关注像素性能卓越性，为此传感器的卓越图像质量和卓越性能提供了基础。该传感器在一个 1/3" 光学制式高清 (HD) 器件中集成了安森美半导体最小型、高性能的全局快门技术，可实现高速图像捕获。具有卓越低光度性能的 3.75 微米全局快门像素停止操作时不会出现传统卷帘快门像素通常会出现的瑕疵。

### 特性

- ON Semiconductor's 3rd Generation Global Shutter Technology
- Superior low-light performance
- HD video (720p60)
- Video/Single Frame mode
- Flexible row-skip modes
- On-chip AE and statistics engine
- Parallel and serial output
- Support for external LED or flash
- Auto black level calibration
- Context switching

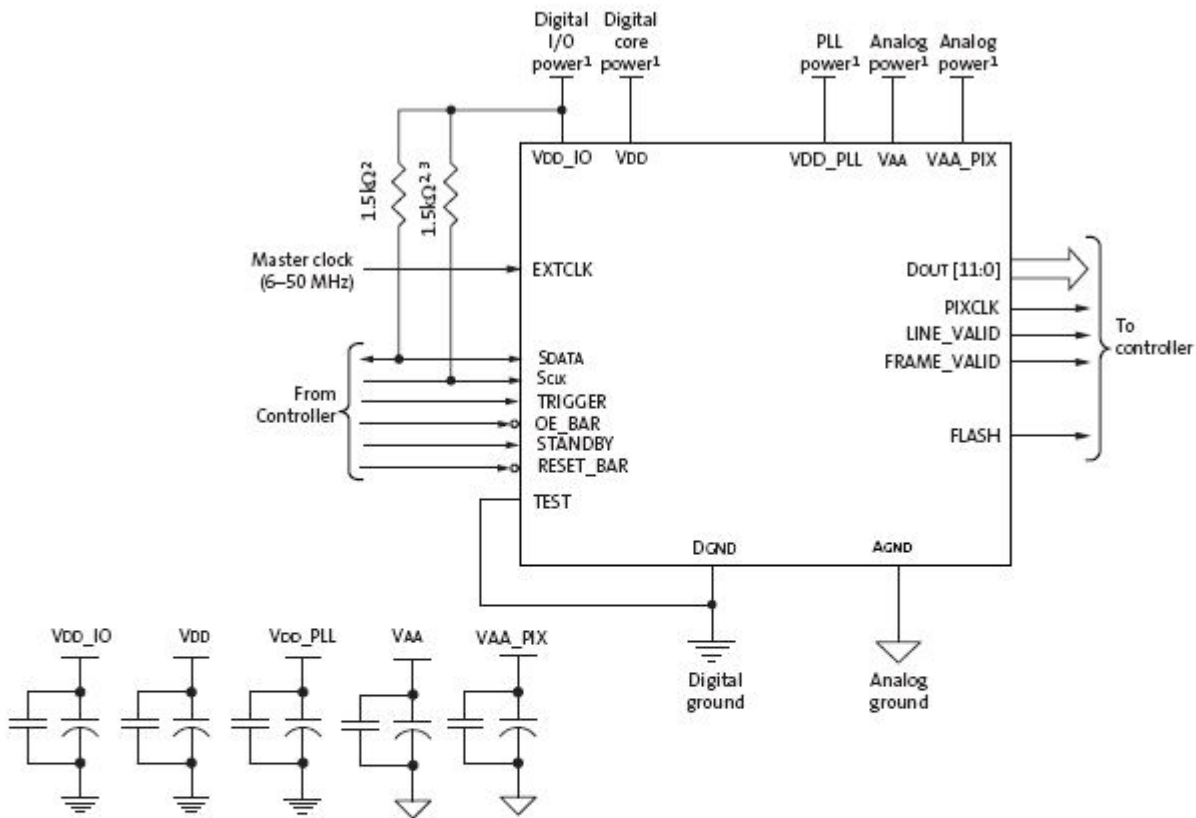
For more features, see the data sheet



产品	Pricing (\$/Unit)	Compliance	Status	Type	Megapixels	Frame Rate (fps)	Optical Format	Shutter Type	Pixel Size (µm)	Output Interface	Color	Package Type
AR0134C5SC00SPCA0-DPBR		Pb-free Halide free	Active	CMOS	1.2	54	1/3 inch	Global Shutter	3.75 x 3.75	Parallel HiSPi™	RGB	ILCC-48
AR0134C5SC00SPCA0-DRBR		Pb-free Halide free	Active	CMOS	1.2	54	1/3 inch	Global Shutter	3.75 x 3.75	HiSPi™ Parallel	RGB	ILCC-48
AR0134C5SC00SPCA0-TPBR		Pb-free Halide free	Active	CMOS	1.2	54	1/3 inch	Global Shutter	3.75 x 3.75	HiSPi™ Parallel	RGB	ILCC-48
AR0134C5SC00SPCA0-TRBR		Pb-free Halide free	Active	CMOS	1.2	54	1/3 inch	Global Shutter	3.75 x 3.75	Parallel HiSPi™	RGB	ILCC-48
AR0134C5SC00SPD20		Pb-free Halide free	Active	CMOS	1.2	54	1/3 inch	Global Shutter	3.75 x 3.75	HiSPi™ Parallel	RGB	
AR0134C5SC00SUEA0-DPBR		Pb-free Halide free	Active	CMOS	1.2	54	1/3 inch	Global Shutter	3.75 x 3.75	HiSPi™ Parallel	RGB	IBGA-63
AR0134C5SC00SUEA0-DPBR1		Pb-free Halide free	Active	CMOS	1.2	54	1/3 inch	Global Shutter	3.75 x 3.75	HiSPi™ Parallel	RGB	IBGA-63
AR0134C5SC00SUEA0-DRBR		Pb-free Halide free	Active	CMOS	1.2	54	1/3 inch	Global Shutter	3.75 x 3.75	HiSPi™ Parallel	RGB	IBGA-63
AR0134C5SC00SUEA0-TPBR		Pb-free Halide free	Active	CMOS	1.2	54	1/3 inch	Global Shutter	3.75 x 3.75	Parallel HiSPi™	RGB	IBGA-63
AR0134C5SC00SUEA0-TRBR		Pb-free Halide free	Active	CMOS	1.2	54	1/3 inch	Global Shutter	3.75 x 3.75	Parallel HiSPi™	RGB	IBGA-63
AR0134C5SM00SPCA0-DPBR		Pb-free Halide free	Active	CMOS	1.2	54	1/3 inch	Global Shutter	3.75 x 3.75	Parallel HiSPi™	Mono	ILCC-48
AR0134C5SM00SPCA0-DPBR1		Pb-free Halide free	Active	CMOS	1.2	54	1/3 inch	Global Shutter	3.75 x 3.75	Parallel HiSPi™	Mono	ILCC-48
AR0134C5SM00SPCA0-DRBR		Pb-free Halide free	Active	CMOS	1.2	54	1/3 inch	Global Shutter	3.75 x 3.75	HiSPi™ Parallel	Mono	ILCC-48
AR0134C5SM00SPCA0-TPBR		Pb-free Halide free	Active	CMOS	1.2	54	1/3 inch	Global Shutter	3.75 x 3.75	HiSPi™ Parallel	Mono	ILCC-48
AR0134C5SM00SPCA0-TRBR		Pb-free Halide free	Active	CMOS	1.2	54	1/3 inch	Global Shutter	3.75 x 3.75	Parallel HiSPi™	Mono	ILCC-48
AR0134C5SM00SPD20		Pb-free Halide free	Active	CMOS	1.2	54	1/3 inch	Global Shutter	3.75 x 3.75	HiSPi™	Mono	
AR0134C5SM00SUEA0-DPBR		Pb-free Halide free	Active	CMOS	1.2	54	1/3 inch	Global Shutter	3.75 x 3.75	Parallel HiSPi™	Mono	IBGA-63
AR0134C5SM00SUEA0-DPBR1		Pb-free Halide free	Active	CMOS	1.2	54	1/3 inch	Global Shutter	3.75 x 3.75	HiSPi™ Parallel	Mono	IBGA-63
AR0134C5SM00SUEA0-DRBR		Pb-free Halide free	Active	CMOS	1.2	54	1/3 inch	Global Shutter	3.75 x 3.75	HiSPi™ Parallel	Mono	IBGA-63
AR0134C5SM00SUEA0-TPBR		Pb-free Halide free	Active	CMOS	1.2	54	1/3 inch	Global Shutter	3.75 x 3.75	HiSPi™ Parallel	Mono	IBGA-63
AR0134C5SM00SUEA0-TRBR		Pb-free Halide free	Active	CMOS	1.2	54	1/3 inch	Global Shutter	3.75 x 3.75	HiSPi™ Parallel	Mono	IBGA-63
AR0134C5SM25SPCA0-TPBR		Pb-free Halide free	Active	CMOS	1.2	54	1/3 inch	Global Shutter	3.75 x 3.75	HiSPi™ Parallel	Mono	ILCC-48
AR0134C5SM25SPD20		Pb-free Halide free	Active	CMOS	1.2	54	1/3 inch	Global Shutter	3.75 x 3.75	HiSPi™ Parallel	Mono	
AR0134C5SM25SUEA0-DPBR		Pb-free Halide free	Active	CMOS	1.2	54	1/3 inch	Global Shutter	3.75 x 3.75	HiSPi™ Parallel	Mono	IBGA-63
AR0134C5SM25SUEA0-DRBR		Pb-free Halide free	Active	CMOS	1.2	54	1/3 inch	Global Shutter	3.75 x 3.75	Parallel HiSPi™	Mono	IBGA-63
AR0134C5SM25SUEA0-DRBR1		Pb-free Halide free	Active	CMOS	1.2	54	1/3 inch	Global Shutter	3.75 x 3.75	Parallel HiSPi™	Mono	IBGA-63

AR0134CSSM25SUEA0-TPBR	Pb-free	Active	CMOS	1.2	54	1/3 inch	Global Shutter	3.75 x 3.75	HiSPi™	Mono	IBGA-63
	Halide free								Parallel		
AR0134CSSM25SUEA0-TRBR	Pb-free	Active	CMOS	1.2	54	1/3 inch	Global Shutter	3.75 x 3.75	HiSPi™	Mono	IBGA-63
	Halide free								Parallel		

## 应用框图



- Notes:
1. All power supplies must be adequately decoupled.
  2. ON Semiconductor recommends a resistor value of 1.5kΩ, but it may be greater for slower two-wire speed.
  3. This pull-up resistor is not required if the controller drives a valid logic level on SCLK at all times.
  4. The serial interface output pads can be left unconnected if the parallel output interface is used.
  5. ON Semiconductor recommends that 0.1μF and 10μF decoupling capacitors for each power supply are mounted as close as possible to the pad. Actual values and results may vary depending on layout and design considerations. Refer to the AR0134 demo headboard schematics for circuit recommendations.
  6. ON Semiconductor recommends that analog power planes be placed in a manner such that coupling with the digital power planes is minimized.

欲了解更多信息，请联系您当地的销售支援 [www.onsemi.cn](http://www.onsemi.cn)。

创建于：7/12/2020