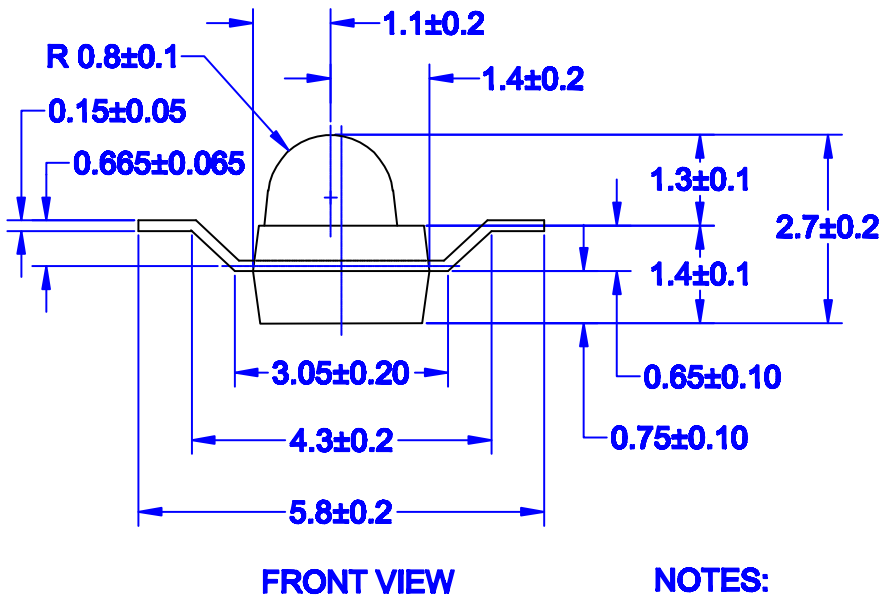
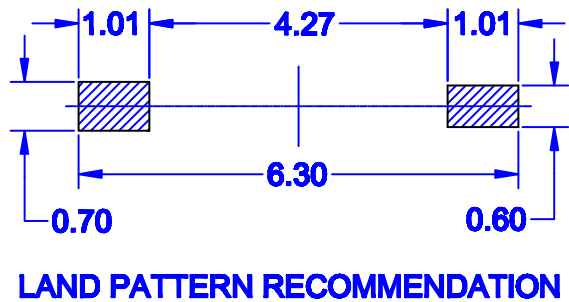
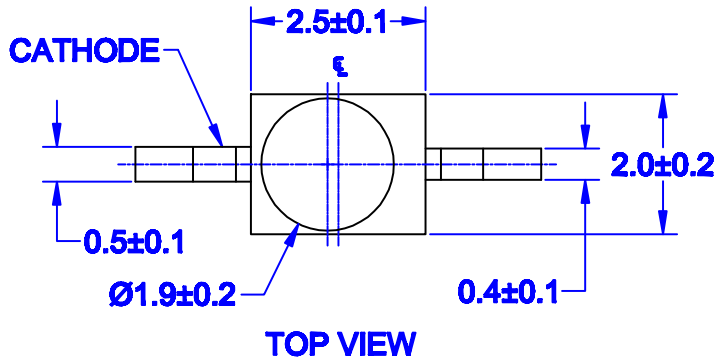




**T-3/4, NON JEDEC BODY SIZE 2.0 X 2.5 MM UNDERMOUNT**  
CASE 100CW  
ISSUE O

DATE 30 NOV 2016



**NOTES:**

- A. NO INDUSTRY STANDARD APPLIES TO THIS PACKAGE**
- B. ALL DIMENSIONS ARE IN MILLIMETERS**
- C. DIMENSIONS DO NOT INCLUDE MOLD FLASH OR BURRS**

<b>DOCUMENT NUMBER:</b>	98AON17799G	Electronic versions are uncontrolled except when accessed directly from the Document Repository. Printed versions are uncontrolled except when stamped "CONTROLLED COPY" in red.
<b>STATUS:</b>	ON SEMICONDUCTOR STANDARD	
<b>NEW STANDARD:</b>		
<b>DESCRIPTION:</b>	T-3/4, NON JEDEC BODY SIZE 2.0 X 2.5 MM UNDERMOUNT	<b>PAGE 1 OF 2</b>

