

Unique One Gates Make Voltage Bilateral Level Translation Simple

Prepared by: Fred Zlotnick
ON Semiconductor
Applications Manager



ON Semiconductor®

<http://onsemi.com>

APPLICATION NOTE

The ability to “mix and match” technologies creates a unique opportunity to solve difficult problems. Figure 1 shows a design with the low voltage side at +2.7 V and that must drive a 5 V data line on an external module. In addition, the 5 V data line is connected to the 5 V supply voltage, through a 4.7 kΩ resistor. This is used to detect the presence of a 5 V module.

The simplest way to do this is to use the ON Semiconductor’s “T” version one gate products, in conjunction with standard CMOS products. The “T” version VHC family is designed to operate at 5.0 V and its input threshold is V_{IL} of 0.8 V and V_{IH} of 2.0 V. This matches very nicely with the standard CMOS 2.7 V output. In addition, the “T” level devices can easily drive the 4.7 k resistor, since it can source and sink 8 mA. In order to get bilateral ability, tri-state devices were selected. Going from the 5.0 V side to the 2.7 V, a standard level VHC or LCX one gate is used. Both of these families have overvoltage tolerance at their inputs. The design takes advantage of this fact and by operating the part at 2.7 Volts, while its output is matched to its supply voltage. The designer is free to drive the input up to +7.0 V. The choice of which device to use is dependent upon the speed

required. If the application requires more speed the LCX family (NL17Szyy) should be selected, if delay time is not extremely important, then perhaps the VHC device should be used (MC74VHC1Gyy).

The design is very simple, just placing a “125 and “126” back to back allows the two devices to function as a single bilateral device. The EN line of both devices are in parallel. The 125 is low enable, and the 126 is high enable, this permits the two devices to function as a data direction line. The software engineer should take care to establish zeros on both sides before reversing direction, and holding this for about 20 ns, otherwise one of the tri-states can present a very low impedance to the device that is driving it. The design shows using a “T125” on the 2.7 V side, and a “126” on the 5 V side, this means it requires a voltage lower than 0.8 V for the combination to go from the 2.7 V to the 5 V, and a +2.0 V signal to make the transition from the 5.0 side to the 2.7 V. By swapping a “T126” and a “125” the sense of the data direction can be turned around. The data direction line can come from either the 2.7 V side or the 5.0 V side, it makes no difference. The 4.7K resistor in the circuit is easily driven by the VHC device.

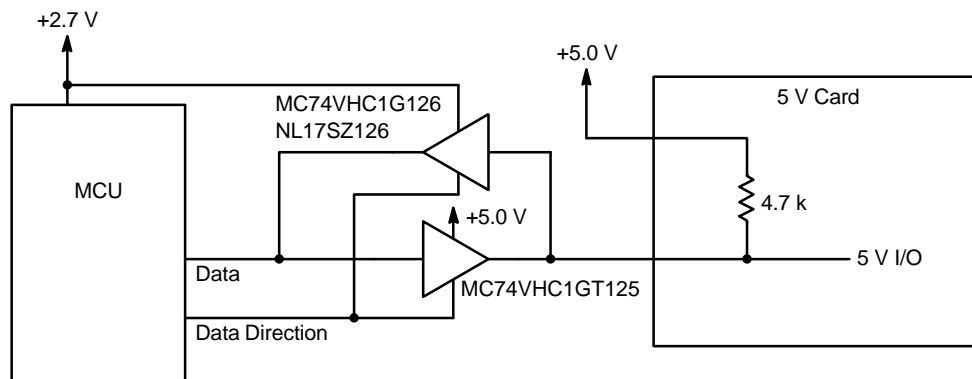



Figure 1.

ON Semiconductor and  are registered trademarks of Semiconductor Components Industries, LLC (SCILLC). SCILLC reserves the right to make changes without further notice to any products herein. SCILLC makes no warranty, representation or guarantee regarding the suitability of its products for any particular purpose, nor does SCILLC assume any liability arising out of the application or use of any product or circuit, and specifically disclaims any and all liability, including without limitation special, consequential or incidental damages. "Typical" parameters which may be provided in SCILLC data sheets and/or specifications can and do vary in different applications and actual performance may vary over time. All operating parameters, including "Typicals" must be validated for each customer application by customer's technical experts. SCILLC does not convey any license under its patent rights nor the rights of others. SCILLC products are not designed, intended, or authorized for use as components in systems intended for surgical implant into the body, or other applications intended to support or sustain life, or for any other application in which the failure of the SCILLC product could create a situation where personal injury or death may occur. Should Buyer purchase or use SCILLC products for any such unintended or unauthorized application, Buyer shall indemnify and hold SCILLC and its officers, employees, subsidiaries, affiliates, and distributors harmless against all claims, costs, damages, and expenses, and reasonable attorney fees arising out of, directly or indirectly, any claim of personal injury or death associated with such unintended or unauthorized use, even if such claim alleges that SCILLC was negligent regarding the design or manufacture of the part. SCILLC is an Equal Opportunity/Affirmative Action Employer.

PUBLICATION ORDERING INFORMATION

Literature Fulfillment:

Literature Distribution Center for ON Semiconductor
P.O. Box 5163, Denver, Colorado 80217 USA
Phone: 303-675-2175 or 800-344-3860 Toll Free USA/Canada
Fax: 303-675-2176 or 800-344-3867 Toll Free USA/Canada
Email: ONlit@hibbertco.com

N. American Technical Support: 800-282-9855 Toll Free USA/Canada

JAPAN: ON Semiconductor, Japan Customer Focus Center
2-9-1 Kamimeguro, Meguro-ku, Tokyo, Japan 153-0051
Phone: 81-3-5773-3850
Email: r14525@onsemi.com

ON Semiconductor Website: <http://onsemi.com>

For additional information, please contact your local Sales Representative.