



## Low Power, Off-Line, Constant Voltage Power Supply

ON Semiconductor®

[www.onsemi.com](http://www.onsemi.com)

### DESIGN NOTE

Table 1. DEVICE DETAILS

Device	Application	Input Voltage	Output Power	Topology	I/O Isolation
NCP1014	Smart Meters, Electric Meters	85 to 265 Vac	Up to 10 W	Off-Line Buck	Non-Isolated
Characteristic		Output Specification			
Output Voltage		10 to 28 Vdc Depending on Selected Z1 Zener Value			
Ripple		Dependent on L2 Inductance and C6 ESR, Typically 1% Max			
Nominal Current		50 to 325 mA Typical			
Max Current		350 mA Maximum			
Min Current		Zero			
PFC (Yes/No)		No, ( $P_{OUT} < 25\text{ W}$ )			
Minimum Efficiency		75% (Dependent on $V_{OUT}$ and $I_{OUT}$ Combination)			
Inrush Limiting/Fuse		Inrush Resistor (R1)			
Operating Temp. Range		0 to +60°C (Dependent on U1 Heatsinking)			
Cooling Method/Supply Orientation		Convection			
Signal Level Control		None			

#### Circuit Description

This design note describes a simple, low power (10 W or less), constant voltage power supply intended for powering electronics for white goods, electrical meters, industrial equipment or lighting applications where isolation from the AC mains is not required. The output voltage can be set from 10 to approximately 28 V by using the appropriate zener diode for Z1. Output voltage sensing is accomplished by utilizing a level shifting (“bootstrap”) circuit comprised of D7, C8, Z1, Q2 and the associated resistors. In applications where the output negative terminal must be common with the input bulk capacitor negative, voltage sensing of the output directly is not possible. This is because the ground node of the controller is switched between the peak input dc voltage and the common line. In order to sense the voltage without an optocoupler in the feedback path, the level shifting “bootstrap” circuit acts as a sample and hold network which stores a sample of the output voltage on C8 (through D7) when the MOSFET in U1 is in the off state. During the on-time, U1’s ground reference is shifted up to the input voltage level of choke L2, and sense diode D7 is back biased. When the voltage on C8 exceeds Z1’s

breakdown level and the B-E drop on Q2, then the feedback pin of U1 (pin 2) is pulled down to achieve regulation. It should be noted that this type of level shifted voltage sensing is not compatible with the tapped inductor type of buck.

Due to the additive magnetizing component of L2, the true load current should be limited to about 350 mA maximum to avoid over-current limiting in U1. An inductance smaller than approximately 2.5 mH for L2 will probably lower the effective usable output current, so a minimum inductance value of 2.5 mH is recommended to keep the choke’s magnetizing current low. Commercially available chokes should be rated for an output current of 0.5 A to assure best efficiency. For lower currents and/or output voltages, some compromises can be made on the maximum inductance value; however, lower values could also impact the output ripple if output capacitor C6 has high ESR.

The output power will also be thermally limited, so for power levels above 5 W, the ground tab on U1 (SOT–223 package) should be soldered to a sufficient area of copper pc board clad to assure that the internal over-temperature circuit is not activated.

# DN06066/D

## Key Features

- Input Filter (Pi-Network) for Conducted EMI Attenuation
- Constant Voltage Output Regulation with Minimal Components and No Optocoupler for Feedback
- NCP1014 Monolithic Current Mode Controller with Internal 700 V MOSFET for Maximum Simplicity
- Circuit Easily Configured for Different Output Voltages
- Inherent Short Circuit and Over-temperature Protection

## SCHEMATIC

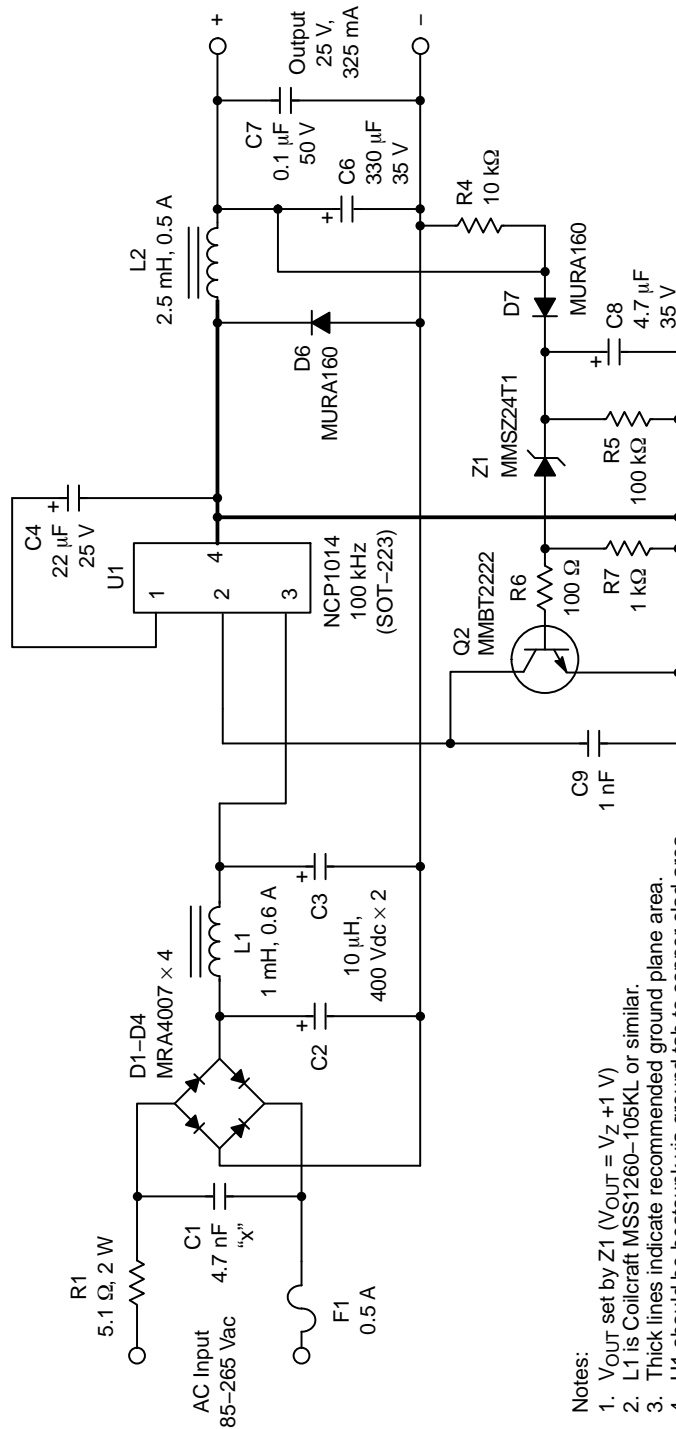


Figure 1. Circuit Schematic


## DN06066/D

### Output Choke Design

L2 can be constructed by winding 200 turns of #28 magnet wire on the bobbin of an EF-16 (E16/8/5) ferrite core with a cross sectional area (Ae) of 0.2 square centimeters (or similar ferrite core and bobbin), and gapping the core to achieve an inductance of 2.5 mH when measured across the winding. Another, but less efficient option would be to use two “off-the-shelf” Coilcraft RFB1010-122L inductors in series.

### References

- [1] ON Semiconductor Design Note [DN06037/D](#): Low Power, Off-Line Buck, CVCC Power Supply
- [2] Data Sheet [NCP1014/D](#)

ON Semiconductor and the  are registered trademarks of Semiconductor Components Industries, LLC (SCILLC) or its subsidiaries in the United States and/or other countries. SCILLC owns the rights to a number of patents, trademarks, copyrights, trade secrets, and other intellectual property. A listing of SCILLC's product/patent coverage may be accessed at [www.onsemi.com/site/pdf/Patent-Marking.pdf](http://www.onsemi.com/site/pdf/Patent-Marking.pdf). SCILLC reserves the right to make changes without further notice to any products herein. SCILLC makes no warranty, representation or guarantee regarding the suitability of its products for any particular purpose, nor does SCILLC assume any liability arising out of the application or use of any product or circuit, and specifically disclaims any and all liability, including without limitation special, consequential or incidental damages. "Typical" parameters which may be provided in SCILLC data sheets and/or specifications can and do vary in different applications and actual performance may vary over time. All operating parameters, including "Typicals" must be validated for each customer application by customer's technical experts. SCILLC does not convey any license under its patent rights nor the rights of others. SCILLC products are not designed, intended, or authorized for use as components in systems intended for surgical implant into the body, or other applications intended to support or sustain life, or for any other application in which the failure of the SCILLC product could create a situation where personal injury or death may occur. Should Buyer purchase or use SCILLC products for any such unintended or unauthorized application, Buyer shall indemnify and hold SCILLC and its officers, employees, subsidiaries, affiliates, and distributors harmless against all claims, costs, damages, and expenses, and reasonable attorney fees arising out of, directly or indirectly, any claim of personal injury or death associated with such unintended or unauthorized use, even if such claim alleges that SCILLC was negligent regarding the design or manufacture of the part. SCILLC is an Equal Opportunity/Affirmative Action Employer. This literature is subject to all applicable copyright laws and is not for resale in any manner.

### PUBLICATION ORDERING INFORMATION

#### LITERATURE FULFILLMENT:

Literature Distribution Center for ON Semiconductor  
19521 E. 32nd Pkwy, Aurora, Colorado 80011 USA  
**Phone:** 303-675-2175 or 800-344-3860 Toll Free USA/Canada  
**Fax:** 303-675-2176 or 800-344-3867 Toll Free USA/Canada  
**Email:** [orderlit@onsemi.com](mailto:orderlit@onsemi.com)

**N. American Technical Support:** 800-282-9855 Toll Free  
USA/Canada  
**Europe, Middle East and Africa Technical Support:**  
Phone: 421 33 790 2910  
**Japan Customer Focus Center**  
Phone: 81-3-5817-1050

**ON Semiconductor Website:** [www.onsemi.com](http://www.onsemi.com)

**Order Literature:** <http://www.onsemi.com/orderlit>

For additional information, please contact your local Sales Representative