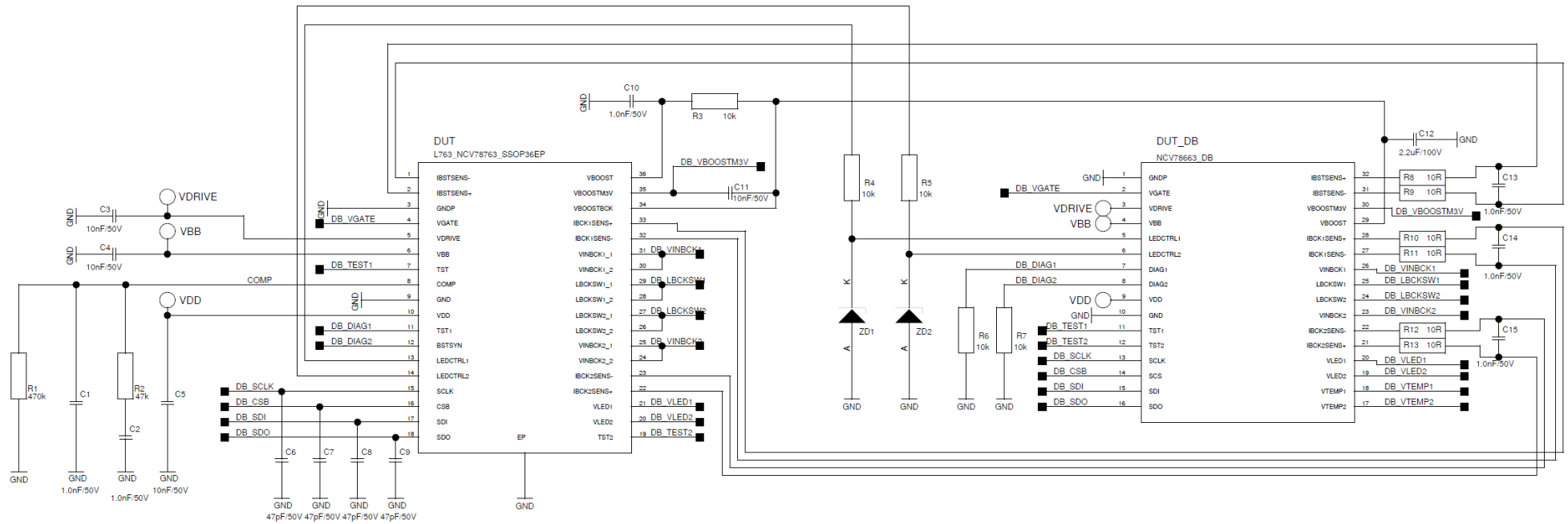




Schematic for the NV787630R1DAGEVB Evaluation Board



ON Semiconductor®

