

## External Voltage Reference

### Description

The HX11RB is a voltage regulator designed to provide a voltage reference to an external load. Various output voltages can be realized. Suitable for environments up to 125°C, the regulator is designed to connect and layout about to the HX11BA bandgap product which provides a 1.21V reference voltage and 24uA bias current for a compact layout structure.

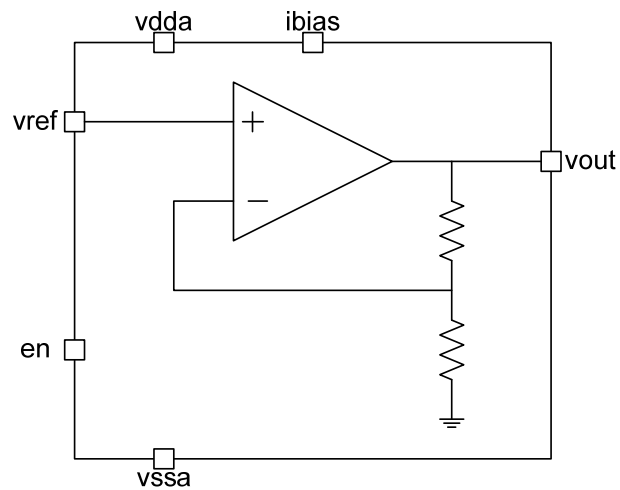
### Features

- Flexible output voltage
- 5mA drive current
- 3.3V analog supply
- Extended temperature range: -40°C to 125°C
- Dimensions: 190um x 280um (0.053mm<sup>2</sup>)

### Applications

- Off-chip voltage reference

### Block Diagram



### Specifications

Parameter	Conditions	Min	Typ	Max	Unit
Analog Supply Voltage	±10%	2.97	3.3	3.63	V
Temperature Range		-40	27	125	°C
Output Voltage			various	2.9 <sup>1</sup>	V
Drive Current			5		mA
Capacitive Load				100	nF

<sup>1</sup> A 2.9V output voltage reduces the analog supply voltage variation to 5%

For more information about all of products, please visit our website at

[www.hexiussemi.com](http://www.hexiussemi.com)