



Is Now Part of



**ON Semiconductor®**

To learn more about ON Semiconductor, please visit our website at  
[www.onsemi.com](http://www.onsemi.com)

ON Semiconductor and the ON Semiconductor logo are trademarks of Semiconductor Components Industries, LLC dba ON Semiconductor or its subsidiaries in the United States and/or other countries. ON Semiconductor owns the rights to a number of patents, trademarks, copyrights, trade secrets, and other intellectual property. A listing of ON Semiconductor's product/patent coverage may be accessed at [www.onsemi.com/site/pdf/Patent-Marking.pdf](http://www.onsemi.com/site/pdf/Patent-Marking.pdf). ON Semiconductor reserves the right to make changes without further notice to any products herein. ON Semiconductor makes no warranty, representation or guarantee regarding the suitability of its products for any particular purpose, nor does ON Semiconductor assume any liability arising out of the application or use of any product or circuit, and specifically disclaims any and all liability, including without limitation special, consequential or incidental damages. Buyer is responsible for its products and applications using ON Semiconductor products, including compliance with all laws, regulations and safety requirements or standards, regardless of any support or applications information provided by ON Semiconductor. "Typical" parameters which may be provided in ON Semiconductor data sheets and/or specifications can and do vary in different applications and actual performance may vary over time. All operating parameters, including "Typicals" must be validated for each customer application by customer's technical experts. ON Semiconductor does not convey any license under its patent rights nor the rights of others. ON Semiconductor products are not designed, intended, or authorized for use as a critical component in life support systems or any FDA Class 3 medical devices or medical devices with a same or similar classification in a foreign jurisdiction or any devices intended for implantation in the human body. Should Buyer purchase or use ON Semiconductor products for any such unintended or unauthorized application, Buyer shall indemnify and hold ON Semiconductor and its officers, employees, subsidiaries, affiliates, and distributors harmless against all claims, costs, damages, and expenses, and reasonable attorney fees arising out of, directly or indirectly, any claim of personal injury or death associated with such unintended or unauthorized use, even if such claim alleges that ON Semiconductor was negligent regarding the design or manufacture of the part. ON Semiconductor is an Equal Opportunity/Affirmative Action Employer. This literature is subject to all applicable copyright laws and is not for resale in any manner.

# AN-6610

## JFET Curve Tracer

Junction field-effect transistors (JFETs), unlike bipolar transistors, do not easily lend themselves to analytic solutions of bias networks. By their very nature, JFETs are voltage controlled devices. Gate to source voltage (control voltage  $V_{GS}$ ) variations of several volts can exist within a given part type at the same operating conditions, causing the problem. Multiple suppliers and inadequate, or non-existent, data sheet curves compound the problem further, requiring data from the suppliers or the use of a curve tracer.

Figure 2 shows a simple curve tracer that can be used with any oscilloscope, and can be built using a quad op amp and a handful of parts. The circuit displays drain current versus gate voltage for both P and N-channel JFETs at a constant drain voltage.

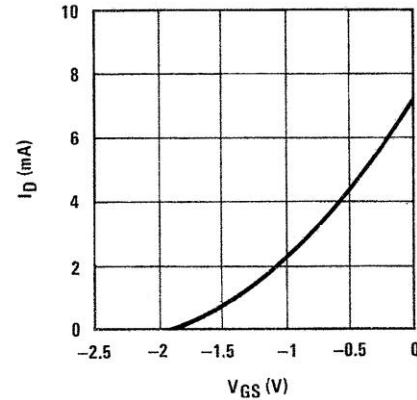


Figure 1. Typical N-Channel JFET Transfer Curve

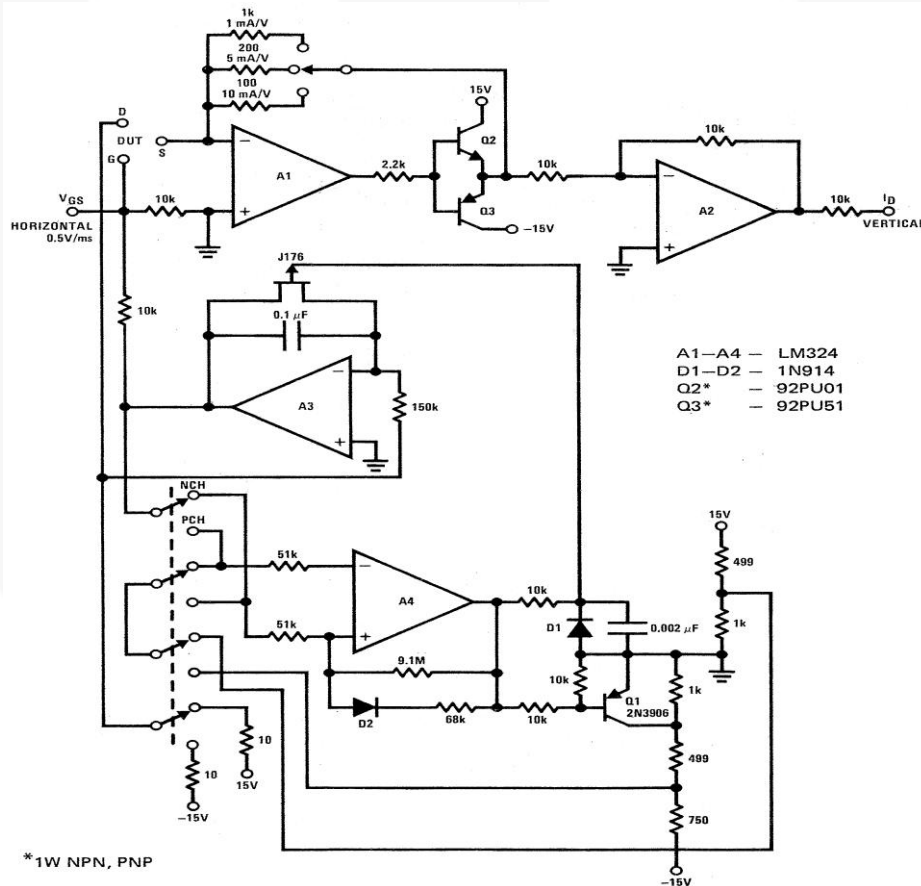


Figure 2. FET Curve Tracer

The circuit in Figure 1 consists of an op amp current to voltage (I/V) amplifier with positive or negative gate sweep voltage. The I/V amplifier uses 1/4 of the quad op amp and 3 switchable feedback resistors for drain current scaling: 1 k for 1 mA/V, 200  $\Omega$  for 5 mA/V and 100  $\Omega$ , for 10 mA/V. An NPN-PNP emitter-follower buffer is used with the I/V amplifier to handle high JFET currents (to 100 mA). A unity gain inverting amplifier is used for proper drain current polarity.

The gate sweep generator consists of two parts, a linear ramp generator (Figure 3) with a reset and a window comparator. The ramp generator is an op amp with a capacitor in its feedback loop. The sweep rate is set by a constant current supplied to the capacitor through a resistor tied to either the plus or minus voltage supply.

The positive (P-channel) ramp mode (Figure 4) uses the positive reference on the plus input of the comparator with the ramp connected to the minus input. The comparator output stays high (15 V) pinching the JFET OFF until the input exceeds the reference (10 V). At that point, the output snaps to the negative supply, turning the JFET switch ON, discharging the capacitor. The reference voltage at the plus input is set near ground using the 51 k input resistor, D2 and 68 k feedback resistor when the comparator output is in the low state. When the capacitor is discharged, the comparator resets, restarting the ramp.

A negative sweep (Figure 5) is more difficult to generate using the same comparator. The reference (-10 V) is on the minus input with the ramp connected to the plus input. As with the positive sweep, the comparator output is high until the negative sweep exceeds the reference. The difference is that the reference cannot be set to ground for the reset sweep but to a negative voltage such that when the ramp is at 0V the comparator resets. The function of Q2 is to short R1, changing the reference voltage from -10 V to -6 V.

In both cases, the sweep time is 10 ms. The resistor attenuator on the JFET gate terminal divides the voltage in half, yielding a sweep rate of 0.5 V/ms with a maximum gate voltage of  $\pm 5$  V. This should be adequate for most JFETs used as amplifiers but if additional gate voltage is required, the attenuator can be switched out.

The circuit is limited to displaying only the JFET transfer characteristic  $I_D$  vs.  $V_{GS}$ , but this is the curve most needed by designers. It gives insight into parameter variations of bias circuits and it can be used to observe temperature effects on the JFET. The oscilloscope vertical input is used for the drain current and the horizontal input is used for the gate voltage. The horizontal sweep can be used if no horizontal input is available where a sweep rate of 0.5 ms/cm corresponds to 0.5 V/ms, allowing the curve tracer to be used with any oscilloscope.

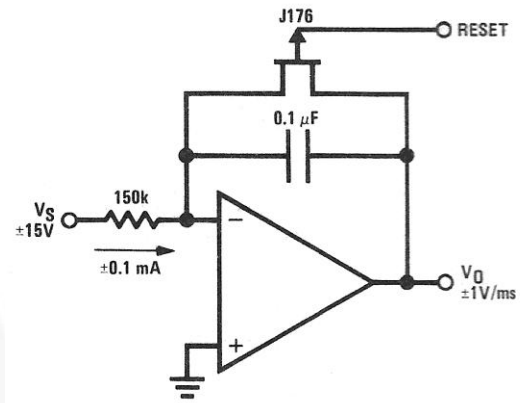


Figure 3. Linear Ramp Generator

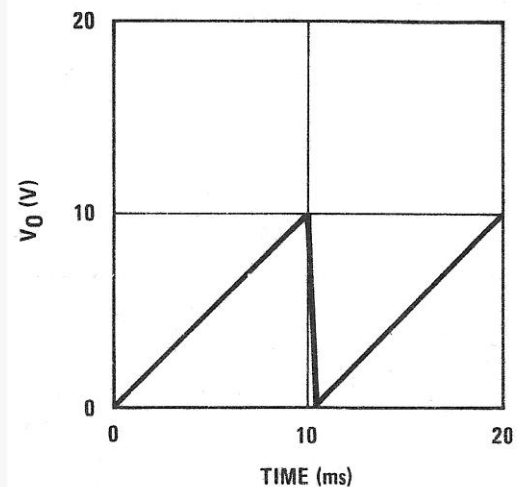


Figure 4. Positive Sweep

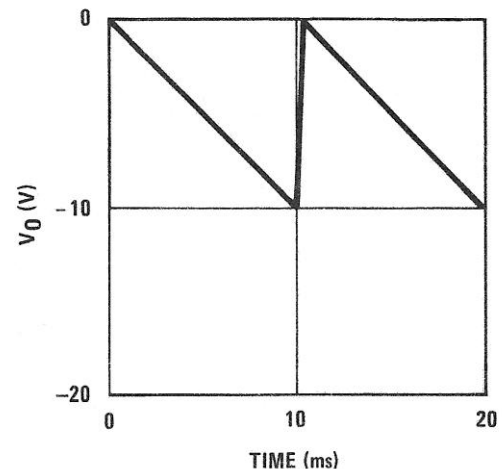


Figure 5. Negative Sweep

**Author:** John Maxwell, February 1977.

---

#### DISCLAIMER

FAIRCHILD SEMICONDUCTOR RESERVES THE RIGHT TO MAKE CHANGES WITHOUT FURTHER NOTICE TO ANY PRODUCTS HEREIN TO IMPROVE RELIABILITY, FUNCTION, OR DESIGN. FAIRCHILD DOES NOT ASSUME ANY LIABILITY ARISING OUT OF THE APPLICATION OR USE OF ANY PRODUCT OR CIRCUIT DESCRIBED HEREIN; NEITHER DOES IT CONVEY ANY LICENSE UNDER ITS PATENT RIGHTS, NOR THE RIGHTS OF OTHERS.

#### LIFE SUPPORT POLICY

FAIRCHILD'S PRODUCTS ARE NOT AUTHORIZED FOR USE AS CRITICAL COMPONENTS IN LIFE SUPPORT DEVICES OR SYSTEMS WITHOUT THE EXPRESS WRITTEN APPROVAL OF THE PRESIDENT OF FAIRCHILD SEMICONDUCTOR CORPORATION.

As used herein:

1. Life support devices or systems are devices or systems which, (a) are intended for surgical implant into the body, or (b) support or sustain life, or (c) whose failure to perform when properly used in accordance with instructions for use provided in the labeling, can be reasonably expected to result in significant injury to the user.
- 2.
3. A critical component is any component of a life support device or system whose failure to perform can be reasonably expected to cause the failure of the life support device or system, or to affect its safety or effectiveness.

ON Semiconductor and  are trademarks of Semiconductor Components Industries, LLC dba ON Semiconductor or its subsidiaries in the United States and/or other countries. ON Semiconductor owns the rights to a number of patents, trademarks, copyrights, trade secrets, and other intellectual property. A listing of ON Semiconductor's product/patent coverage may be accessed at [www.onsemi.com/site/pdf/Patent-Marking.pdf](http://www.onsemi.com/site/pdf/Patent-Marking.pdf). ON Semiconductor reserves the right to make changes without further notice to any products herein. ON Semiconductor makes no warranty, representation or guarantee regarding the suitability of its products for any particular purpose, nor does ON Semiconductor assume any liability arising out of the application or use of any product or circuit, and specifically disclaims any and all liability, including without limitation special, consequential or incidental damages. Buyer is responsible for its products and applications using ON Semiconductor products, including compliance with all laws, regulations and safety requirements or standards, regardless of any support or applications information provided by ON Semiconductor. "Typical" parameters which may be provided in ON Semiconductor data sheets and/or specifications can and do vary in different applications and actual performance may vary over time. All operating parameters, including "Typicals" must be validated for each customer application by customer's technical experts. ON Semiconductor does not convey any license under its patent rights nor the rights of others. ON Semiconductor products are not designed, intended, or authorized for use as a critical component in life support systems or any FDA Class 3 medical devices or medical devices with a same or similar classification in a foreign jurisdiction or any devices intended for implantation in the human body. Should Buyer purchase or use ON Semiconductor products for any such unintended or unauthorized application, Buyer shall indemnify and hold ON Semiconductor and its officers, employees, subsidiaries, affiliates, and distributors harmless against all claims, costs, damages, and expenses, and reasonable attorney fees arising out of, directly or indirectly, any claim of personal injury or death associated with such unintended or unauthorized use, even if such claim alleges that ON Semiconductor was negligent regarding the design or manufacture of the part. ON Semiconductor is an Equal Opportunity/Affirmative Action Employer. This literature is subject to all applicable copyright laws and is not for resale in any manner.

## PUBLICATION ORDERING INFORMATION

### LITERATURE FULFILLMENT:

Literature Distribution Center for ON Semiconductor  
19521 E. 32nd Pkwy, Aurora, Colorado 80011 USA  
**Phone:** 303-675-2175 or 800-344-3860 Toll Free USA/Canada  
**Fax:** 303-675-2176 or 800-344-3867 Toll Free USA/Canada  
**Email:** [orderlit@onsemi.com](mailto:orderlit@onsemi.com)

**N. American Technical Support:** 800-282-9855 Toll Free  
USA/Canada  
**Europe, Middle East and Africa Technical Support:**  
Phone: 421 33 790 2910  
**Japan Customer Focus Center**  
Phone: 81-3-5817-1050

**ON Semiconductor Website:** [www.onsemi.com](http://www.onsemi.com)  
**Order Literature:** <http://www.onsemi.com/orderlit>  
For additional information, please contact your local  
Sales Representative