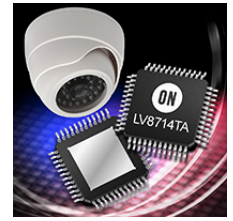


## 产品概览

### LV8714TA: 双步进电机驱动器，超小微步

欲看完整文档，请参阅数据表。



LV8714TA 是一款极高能效双步进电机驱动器，运行电压范围为 4 V 至 16.5 V。该器件具有极低导通电阻型 FET、无损耗电流感应、同步整流和超低待机电流 ( $<1\mu\text{A}$ )，提供了最佳能效的系统方案。集成的稳压器可实现单芯片、单电源系统方案。内置的过电流、高温关断和低电压关断等系统保护功能可实现高度可靠的系统方案，且系统方案占位最小。LV8714TA 适用的多种应用包括保安摄像头系统、销售点 (PoS) 终端、文档扫描仪和多功能打印机。

#### 特性

- Quad H-bridges with PWM based constant-current control
- Power FETs with low on resistance (Upper:  $0.6\Omega$ , Lower:  $0.3\Omega$ , Total of upper and lower:  $0.9\Omega$  @  $T_a=25^\circ\text{C}$ ,  $I_o=1.5\text{A}$ )
- Internal current sense mechanism without external power resistors
- On-chip regulators for logic circuits and power FETs biasing
- Power saving mode with ultra-low standby current ( $<1\mu\text{A}$ ) when idle
- Built-in system protection functions such as thermal shutdown, low-voltage shutdown and over-current protection
- Full, Half, 1/4, 1/8, 1/16, 1/32, 1/64, 1/128, 1/256 and over microstep drive is realizable by controlling VREF voltage

#### 应用

- Industrial
- Computing & Peripherals

#### 优势

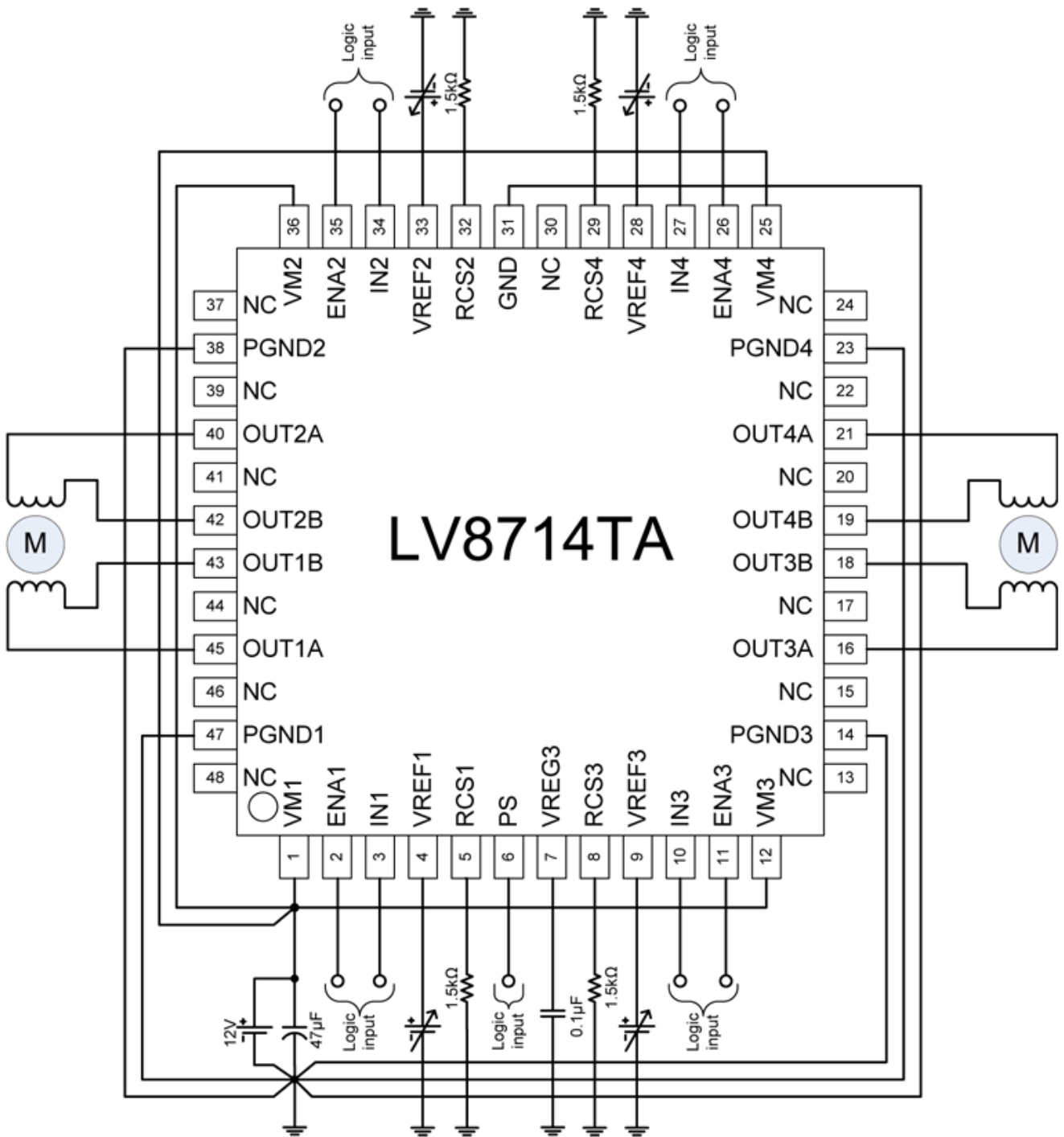
- One-chip solution that drives dual stepper or quad DC motors
- Minimizes power loss while in operation
- Loss-less current sensing that enhances energy efficiency
- Single supply operation without external component
- Enhances energy efficiency of the system solution
- Reliable system solution under harsh operating conditions
- High convenience by abundant excitation mode, and low vibration by high resolution

#### 终端产品

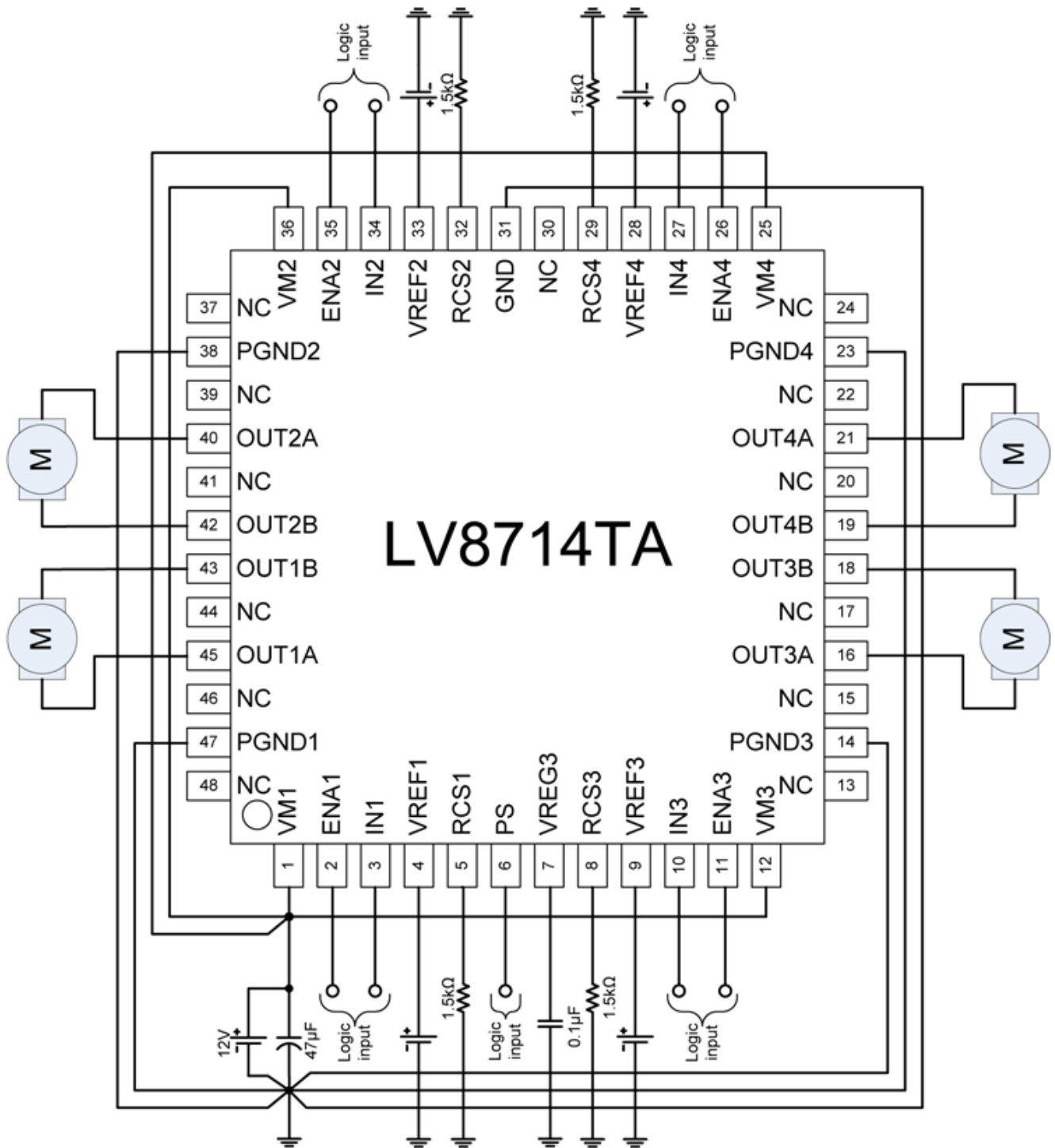
- Surveillance Camera
- Stagelight
- Scanner
- POS and Multi-purpose Printers

# 应用框图

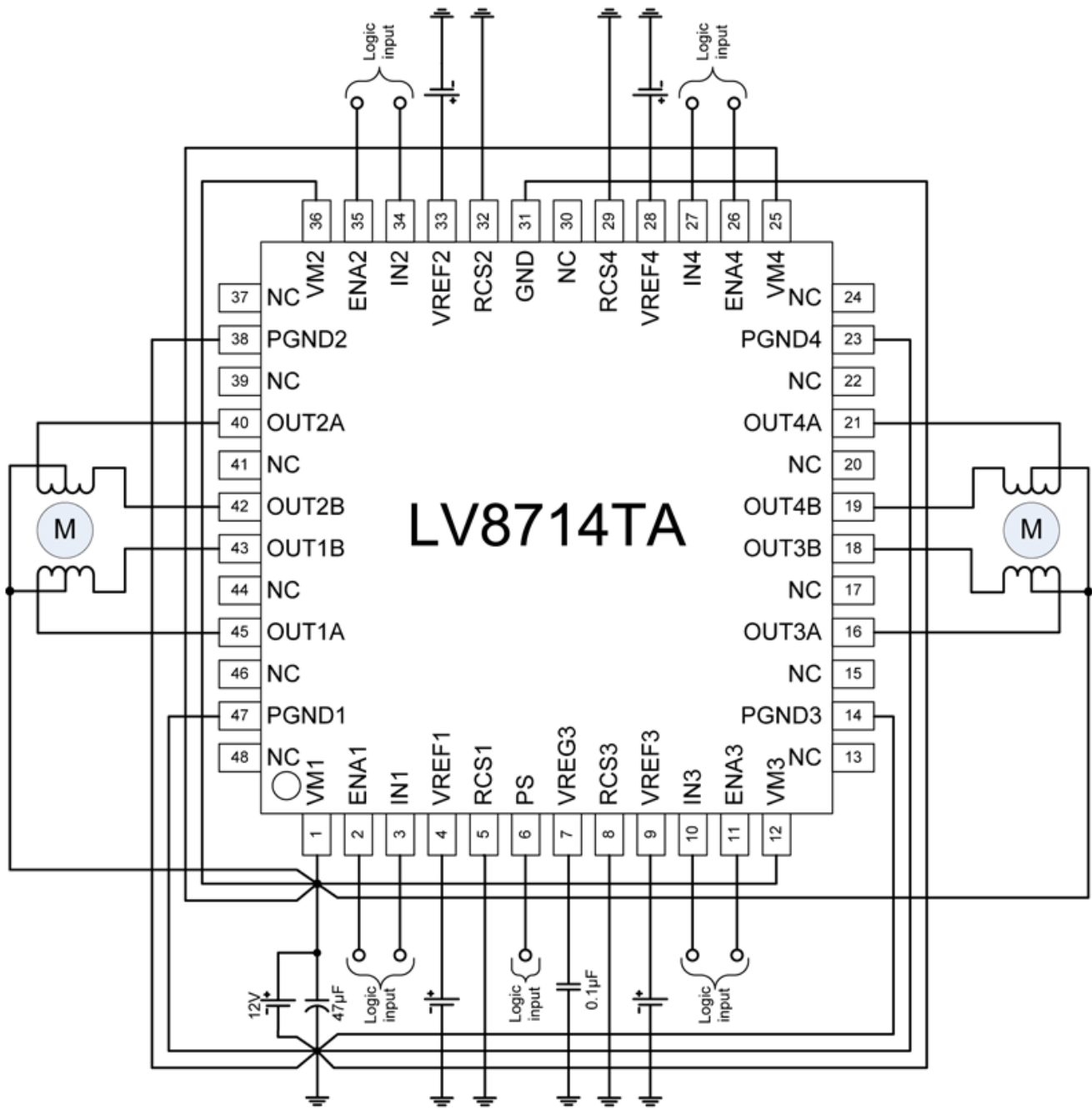
## Two Bipolar Stepper motor Drive Using LV8714TA



# Four Brushed DC motor Drive Using LV8714TA



## Two Unipolar Stepper motor Drive Using LV8714TA



欲了解更多信息，请联系您当地的销售支援 [www.onsemi.cn](http://www.onsemi.cn)。

创建于：6/5/2020