

产品概览

LC717A30UJ: 用于静电电容式触摸传感器的电容-数字转换器

欲看完整文档，请参阅数据表。



LC717A30UJ 是一款高性能、低成本和非常易用的电容转换器，用于静电电容触摸和距离传感器。8 个电容传感器输入沟道适用于需要开关阵列的任何最终产品。LC717A30J 通过其自动校准功能和极少的外部部件，缩短了系统开发时间。每个传感器的检测结果（开/关）通过串行接口（I2C 或 SPI）读取。

特性

- Detection system: Differential capacitive detection using mutual capacitance
- Sensor input pads: Operates with small to large capacitance sensor input pads
- Input capacitance resolution: Capacitance detection down to femto-Farad level
- Measurement time 16 ms for 8 sensors
- Minimal external components
- Selectable interface : I2C or SPI
- Current consumption : 0.8 mA (VDD = 5.5 V)
- Supply voltage : 2.6 to 5.5 V
- AEC-Q100 qualified and PPAP capable

应用

- Automotive
- Consumer
- Industrial
- Computing
- Lighting

优势

- Superior sensitivity performance - even not only wearing multiple layers of gloves, air gap, or thick materials but also gesture.
- Reducing cost because of being unnecessary to supplement sensitivity.
- Achieving layout freely because of receiving hardly from parasitic capacitance.
- High adaptability by internal both noise reduction and correspondence system for environment changing.
- Advantage tolerance for malfunction prevention of water.

终端产品

- Smart key, Control switches, Car audio and Proximity
- Home Appliance, White goods and Induction Cooking
- Security lock
- PC Peripherals, Audio Visual equipment
- Remote control switches

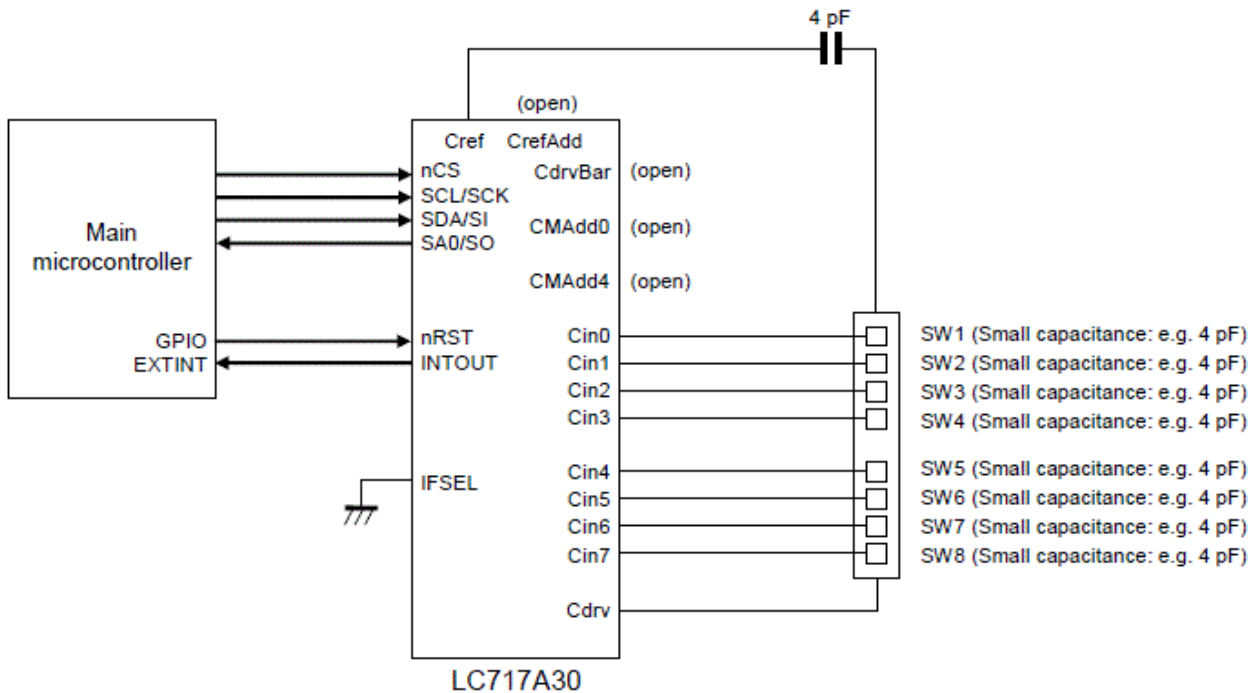
器件电气规格

产品	Pricing (\$/Unit)	Compliance	Status	Number of Sensing Inputs	Number of Sensing Outputs	Interface Control	Proximity Sensing	V _{DD} Min (V)	V _{DD} Max (V)	I _{DD} Typ (μA)	Package Type
LC717A30UJ-AH	1.6	AEC Qualified PPAP Capable Pb-free Halide free	Active	8	0	SPI I2C	Yes	2.6	5.5	800	SSOP-30

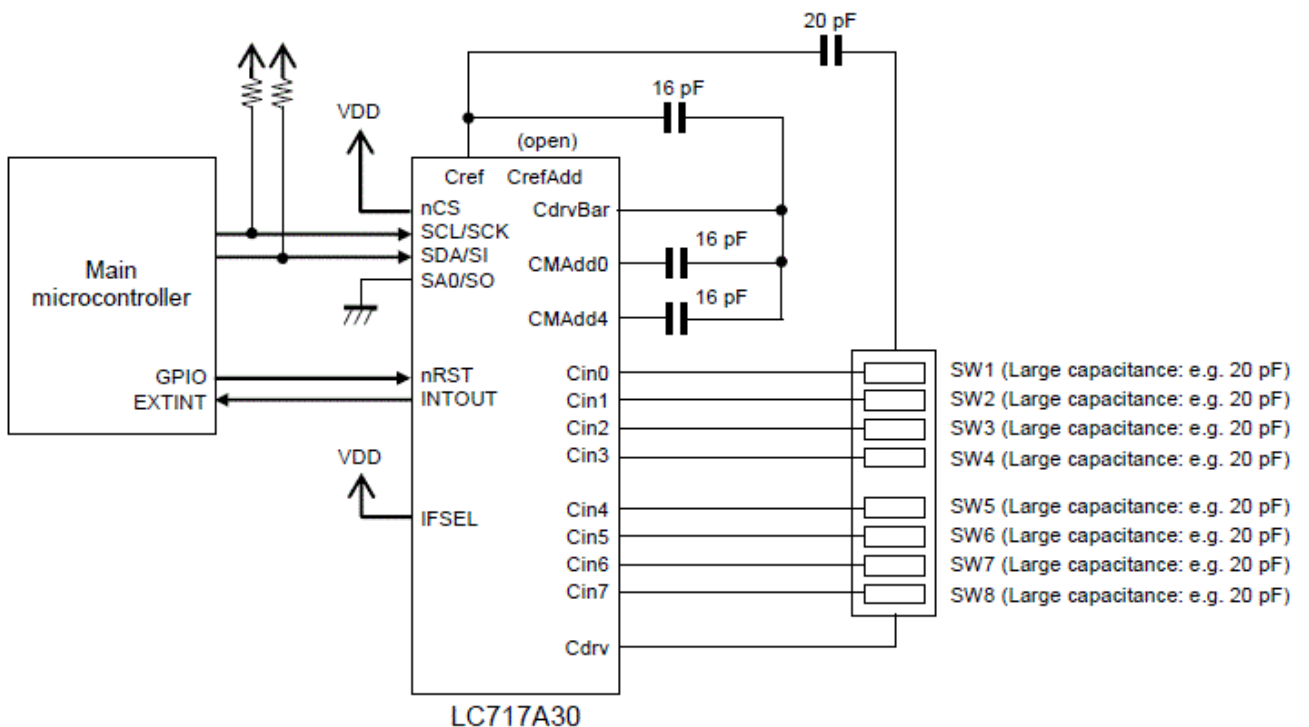
应用框图

Application Schematic

- 8 small capacitance sensor switches and 4-wire SPI interface.



- 8 large capacitance sensor switches and I²C interface.



欲了解更多信息，请联系您当地的销售支援 www.onsemi.cn。

创建于：6/6/2020